

Thanks to the various interfaces, the adaptors can be used with any portable valve actuator and any head (straight, right angle or banjo). They also enable you to use the actuators for applications other than activating valves and on many types of interface other than handwheels.

▶ INTERFACES FOR ADAPTORS SAXXX, SUAxxx AND FUAxxx WITHOUT A BANJO HEAD

Using the **KPA** interface, you can manipulate the **SAxxx**, **SUAxxx** and **FUAxxx** adaptors without a banjo head. Please note, this configuration is not compatible with handwheels that have a rising stem.

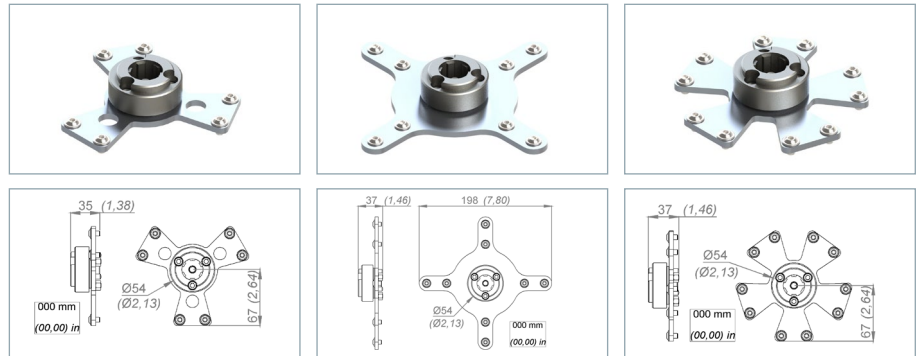
The KPA interface is available in 3 versions:

KPA003 for the SA003 adaptor

KPA004 (or KPA316 stainless steel) for the SA004, SUA and FUA adaptors

KPA005 for the SA005, SA006 and SA007 adaptors

Reference	Weight kg (lb)	Max torque Nm (lb.ft)
KPA003	0.6 (1,3)	350 (260)
KPA004	0.8 (1,8)	1000 (740)
KPA005	0.7 (1,5)	1000 (740)



▶ HANDWHEEL PROTECTORS FOR USE WITH SAxxx ADAPTORS

These protectors, integrated into the self-adjusting and self-centering fingers adaptors (SAxxx), are designed to **protect the handwheel from being scratched during use**. They can be built into the adaptor during assembly in the factory or added later without difficulty.

They are made from high performance polyethylene, which is anti-static and resists wear and tear.

Each adaptor has a corresponding interface:

SA103 for the SA003 adaptor

SA104 for the SA004 adaptor

SA105 for the SA005 adaptor

SA106 for the SA006 adaptor

SA107 for the SA007 adaptor



SA103

SA104

SA105

SA106

SA107

IMPORTANT

For your comfort and safety, please carefully read the instruction manual before using the portable valve actuator.