

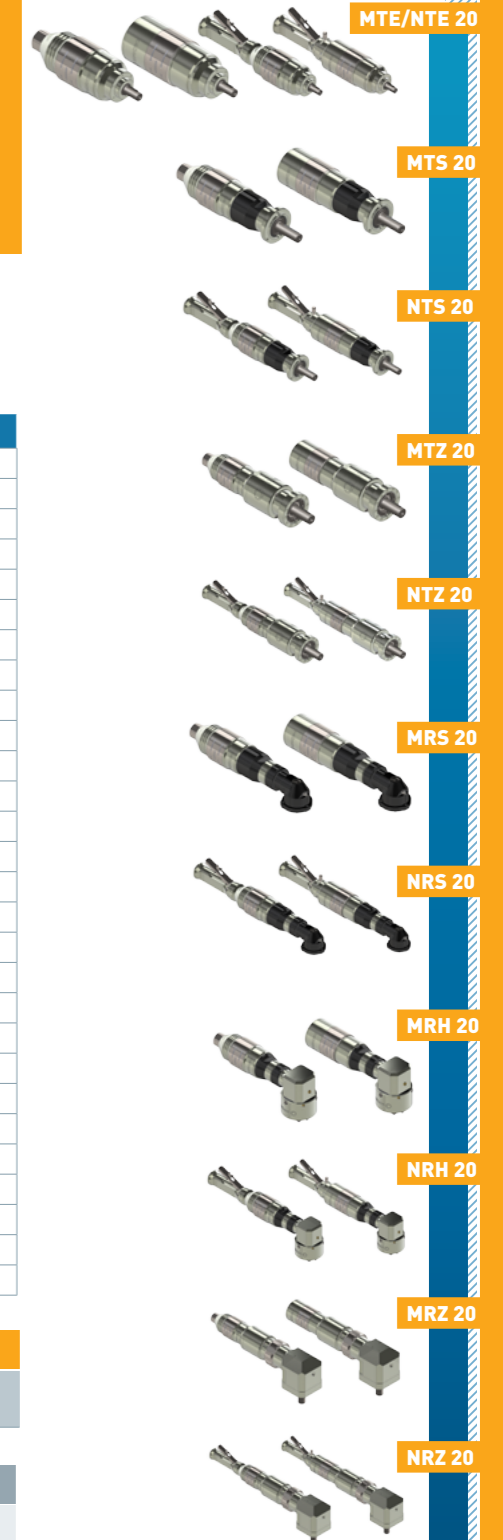


MAX POWER  
**1900 W**  
MAX TORQUE  
**840 Nm**

Twin brothers of the "10", the "20" series air motors offer the same versatility and are available with the same speed and torque ranges but **with even greater power.**

It contains the 3 same application families (Easy, Standard and Heavy duty) with the same configurations of right angle drive heads and integrated handles. **Ideal for applications as different as blasting, conveyors, lifting or integration in special machines.**

Like their little brothers, the "20" range air motors **can get an integrated speed controller**, which is indispensable for certain manual applications.



+ ACCESSORIES FOR THIS MOTOR	Reference
Filtration, pressure Regulation and Lubrication unit (FRL)	AC107
Safety Air Treatment Box (SAT Box)	AC118
With Pedal remote control	AC119
With handle remote control	AC120
With remote emergency kill switch	AC125
With remote E-Stop and pedal remote control	AC121
With remote E-Stop and handle remote control	AC122
Maintenance kits	
Maintenance kit for "20" series	AC304
Maintenance kit for lube free "20" series	AC314
Maintenance kit for kit start "20" series	AC324
Exhaust collector kit for "20" series	AC341
modec Oil Co-16	AC149
Control handles	
Safety control handle for non reversible "20" series	AC406
Safety control handle for reversible "20" series	AC404
Progressive control handle for non reversible "20" series	AC400
Progressive control handle for reversible "20" series	AC408
Filters et silencers	
Metallic standard silencer	AC182
Metallic standard inlet silencer (RV)	AC181
Plastic standard silencer	AC152
Plastic standard inlet silencer (RV)	AC183
Heavy duty silencer	AC156
Heavy duty inlet silencer (RV)	AC155
High flow air muffler	AC159
Exhaust silencer filter	AC161
Speed control muffler	AC174

CONNECTION AND LUBRICATION				
Min. fittings Ø	Min. pipe Ø		Lubrication [6,2 bars]	
	In	Out		
10 mm / 0,4 In	16 mm / 0,6 In	13 mm / 0,5 In	20 mm / 0,8 In	7 drops / minute

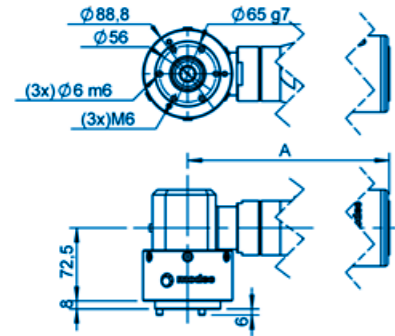
CONVERSION TABLE		
Watt ► Horse power	Newton meter ► Pound feet	Millimeter ► Inch
Watt x 0,001341 = hp	Nm x 0,7376 = lb.ft	mm x 0,03937 = in
Bar ► Pound per square Inch	Normo Liter / minute ► Standard cubic feet per minute	Kilogram ► Pound
Bar x 14,5 = psi	NL / min x 0,03531 = scfm	Kg x 2,205 = lb



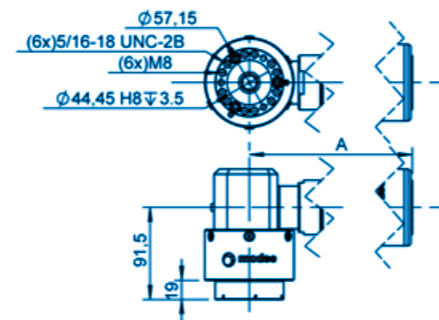
FLANGES **GROUP VIII**

- XRZ 05
- XRZ 07
- XRH 08
- XRH 10
- XRH 20
- XRH 25

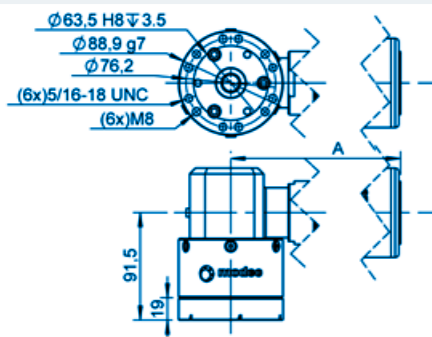
**GROUP VIII** FLANGE AA



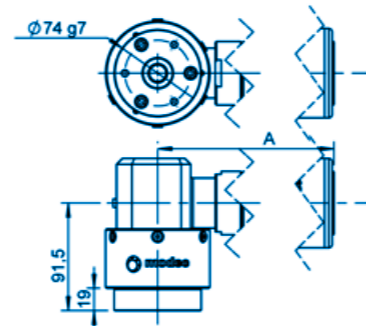
**GROUP VIII** FLANGE AB



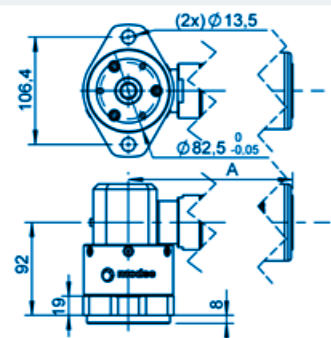
**GROUP VIII** FLANGE AC



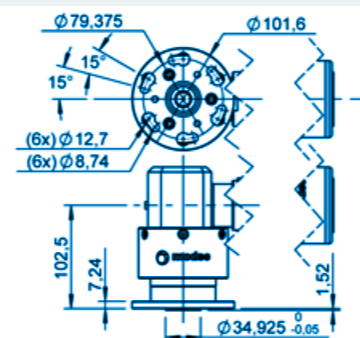
**GROUP VIII** FLANGE AD



**GROUP VIII** FLANGE AE



**GROUP VIII** FLANGE Q



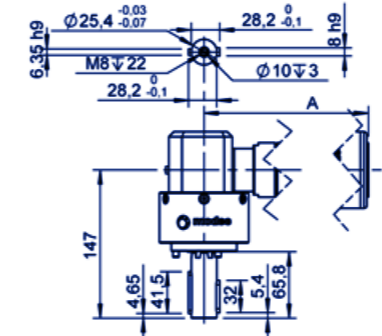
You didn't find your match ?

Contact us !

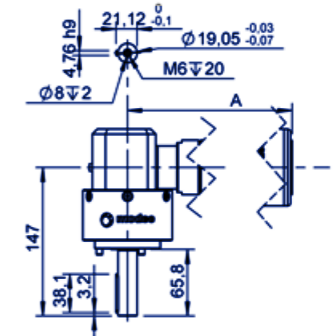
SHAFTS **GROUP VIII**

- XRZ 05
- XRZ 07
- XRH 08
- XRH 10
- XRH 20
- XRH 25

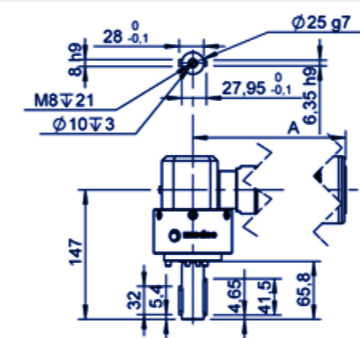
**GROUP VIII** SHAFT 001 - KEYED Ø1"



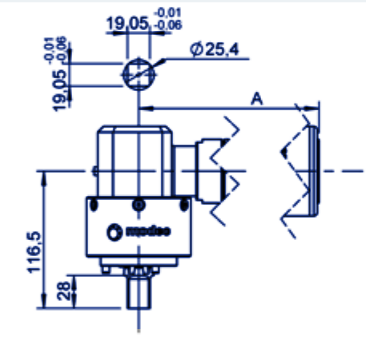
**GROUP VIII** SHAFT 002 - KEYED Ø3/4"



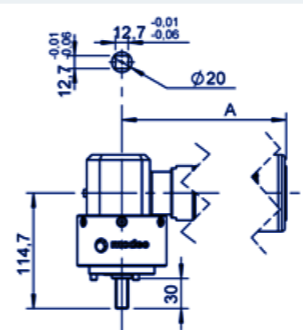
**GROUP VIII** SHAFT 003 - KEYED Ø25



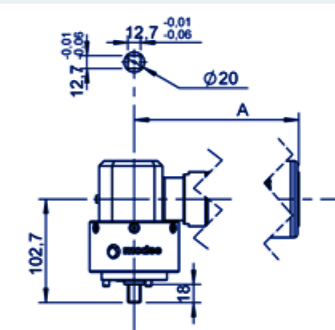
**GROUP VIII** SHAFT 004 - SQUARE 3/4"



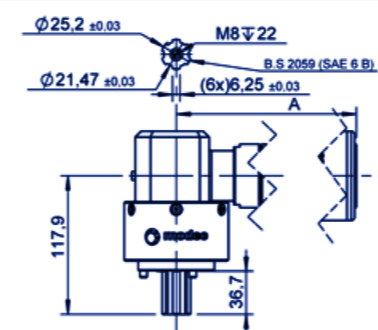
**GROUP VIII** SHAFT 005 - SQUARE 1/2" LONG



**GROUP VIII** SHAFT CA1 - SQUARE 1/2" SHORT



**GROUP VIII** SHAFT CNW - SPLINED



You didn't find your match ?

Contact us !