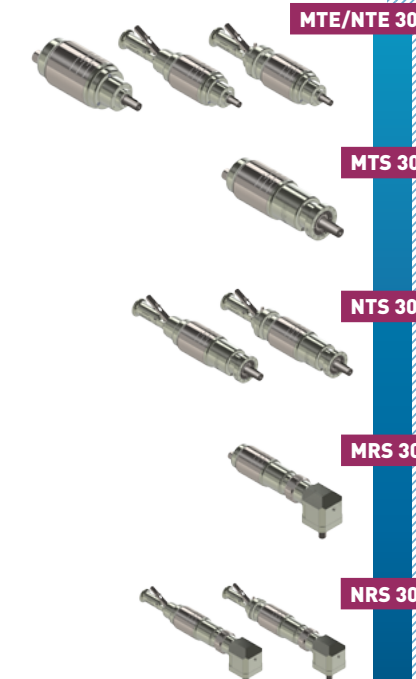




MAX POWER
3200 W
 MAX TORQUE
840 Nm


Modec air motors « 30 » series has long proven itself in the most demanding **applications in terms of torque, power and robustness**. With a power of more than 3 kW and an exceptionally robust design, it is no surprise that these air motors can be found in **the most demanding environments (ATEX, extreme temperatures, off-shore, marine) and on the most difficult applications (machining, conveying, drilling...)**.

They are of course available, like the other modec air motors, with or without right angle drive shaft and with or without handle.



| + | ACCESSORIES FOR THIS MOTOR | Reference |
|---|--|-----------|
| | Filtration, pressure Regulation and Lubrication unit (FRL) | AC108 |
| | Safety Air Treatment Box (SAT Box) | AC126 |
| | With Pedal remote control | AC127 |
| | With handle remote control | AC128 |
| | With remote emergency kill switch | AC129 |
| | With remote E-Stop and pedal remote control | AC130 |
| | With remote E-Stop and handle remote control | AC131 |
| | Maintenance kits | |
| | Maintenance kit for "30" series | AC306 |
| | Maintenance kit for lube free "30" series | AC316 |
| | Maintenance kit for kit start "30" series | AC326 |
| | Exhaust collector kit for "30" series | AC343 |
| | modec Oil Co-16 | AC149 |
| | Control handles | |
| | Safety control handle for non reversible "30" series | AC412 |
| | Safety control handle for reversible "30" series | AC414 |
| | Progressive control handle for non reversible "30" series | AC407 |
| | Progressive control handle for reversible "30" series | AC410 |
| | Filters et silencers | |
| | Metallic standard exhaust silencer | AC182 |
| | Metallic standard inlet silencer | AC164 |
| | Plastic standard exhaust silencer | AC153 |
| | Plastic standard inlet silencer | AC184 |
| | Heavy duty exhaust silencer | AC157 |
| | Heavy duty inlet silencer | AC155 |
| | High flow air muffler | AC160 |
| | Exhaust silencer filter | AC185 |
| | Speed control muffler | AC174 |

CONNECTION ET LUBRIFICATION

| | Min. fittings Ø | | Min. pipe Ø | | Lubrification (6,2 bars) |
|---|-----------------|----------------|----------------|----------------|--------------------------|
| | In | Out | In | Out | |
|  | 14 mm / 0,6 In | 16 mm / 0,6 In | 16 mm / 0,6 In | 20 mm / 0,8 In | 11 drops / minute |

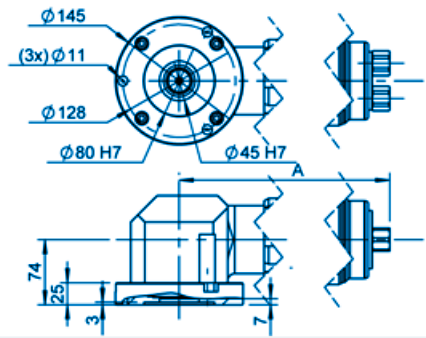
CONVERSION TABLE

| | | |
|-----------------------------|---|-------------------|
| Watt ► Horse power | Newton meter ► Pound feet | Millimeter ► Inch |
| Watt x 0,001341 = hp | Nm x 0,7376 = lb.ft | mm x 0,03937 = in |
| Bar ► Pound per square Inch | Normo Liter / minute ► Standard cubic feet per minute | Kilogram ► Pound |
| Bar x 14,5 = psi | NL / min x 0,03531 = scfm | Kg x 2,205 = lb |

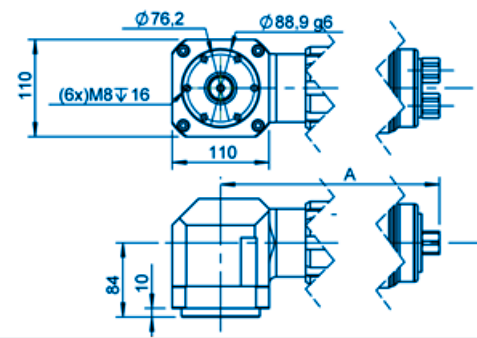
FLANGES & SHAFTS **GROUP IX**

- XRZ 08
- XRZ 10
- XRZ 20
- XRZ 25
- XRS 30

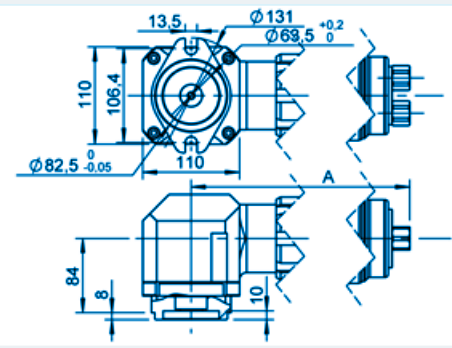
GROUP IX FLANGE A



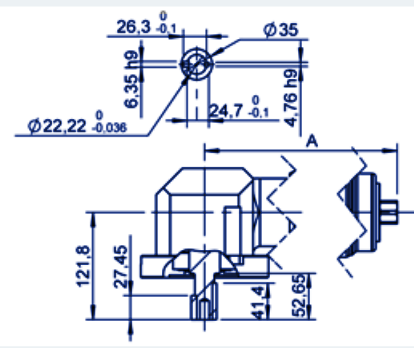
GROUP IX FLANGE B



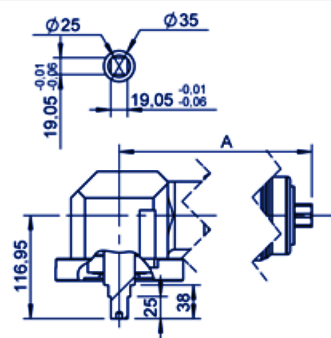
GROUP IX FLANGE H



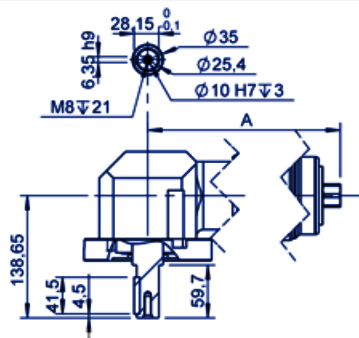
GROUP IX SHAFT 001 - KEYED 07/8"



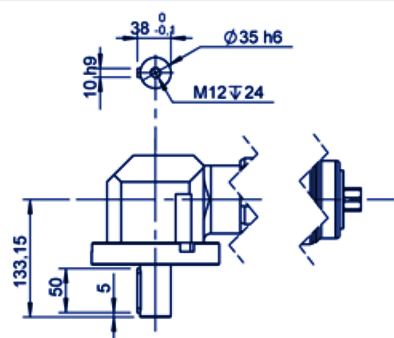
GROUP IX SHAFT 003 - KEYED 03/4"



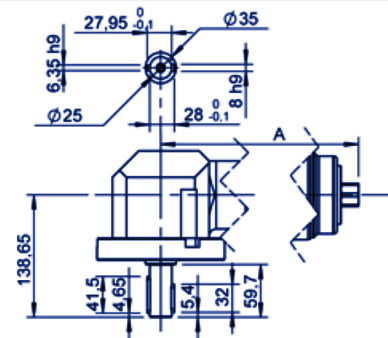
GROUP IX SHAFT CL2 - KEYED 01"



GROUP IX SHAFT CL3 - KEYED 035



GROUP IX SHAFT CL4 - KEYED 025



You didn't find your match ?
Contact us !