

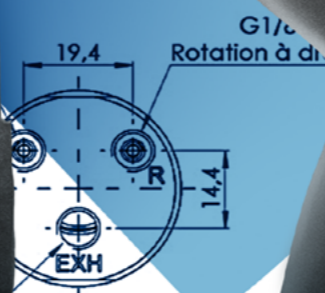
MAX POWER  
**300 W**  
MAX TORQUE  
**370 Nm**

"05" series air motors are **the lightest and most compact**.

With a 300W power in a 113 x 36,5 mm cylinder weighting half a kilogram only, **these motors fit easily in a machine**.

Like any of our motors, power and torque are easily controllable by simply adjusting air supply pressure, which allows to use them "at stall" without any additional precaution.

This makes them an ideal tool for cap screwing on bottling lines for example.



| + ACCESSORIES FOR THIS MOTOR                               | Reference |
|--|-----------|
| Filtration, pressure Regulation and Lubrication unit (FRL) | AC106     |
| Safety Air Treatment Box (SAT Box)                         | AC118     |
| With Pedal remote control                                  | AC119     |
| With handle remote control                                 | AC120     |
| With remote emergency kill switch                          | AC125     |
| With remote E-Stop and pedal remote control                | AC121     |
| With remote E-Stop and handle remote control               | AC122     |
| Maintenance kits   |           |
| Maintenance kit for "05" series                            | AC300     |
| Maintenance kit for lube free "05" series                  | AC310     |
| Maintenance kit for kit start "05" series                  | AC320     |
| modec Oil Co-16  | AC149     |
| Filters and silencers                                      |           |
| Mini metallic silencer                                     | AC169     |
| Metallic standard exhaust silencer                         | AC168     |
| Plastic standard exhaust silencer                          | AC166     |
| Heavy duty exhaust silencer                                | AC167     |
| Speed control muffler                                      | AC170     |
| High flow air muffler                                      | AC158     |
| Exhaust silencer filter                                    | AC165     |

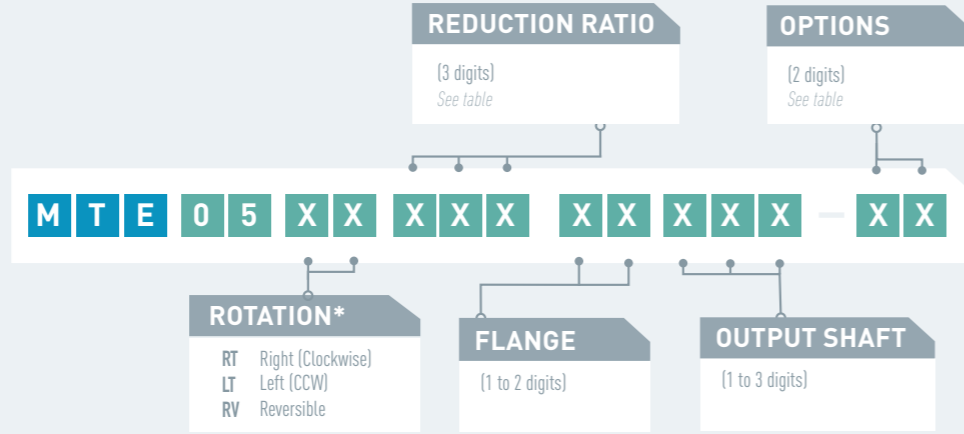
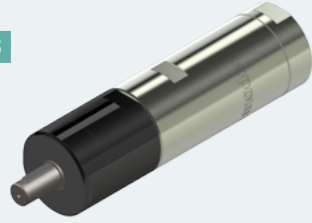
| CONNECTION AND LUBRICATION |                 |               |               |               |                        |
|----------------------------|-----------------|---------------|---------------|---------------|------------------------|
| 🔧                          | Min. fittings Ø |               | Min. pipe Ø   |               | Lubrication (6,2 bars) |
|                            | In              | Out           | In            | Out           |                        |
|                            | 5 mm / 0,2 In   | 5 mm / 0,2 In | 6 mm / 0,2 In | 6 mm / 0,2 In | 2 drops / minute       |

| CONVERSION TABLE            |   |                   |
|-----------------------------|---|-------------------|
| Watt ▶ Horse power          | Newton meter ▶ Pound feet                             | Millimeter ▶ Inch |
| Watt x 0,001341 = hp        | Nm x 0,7376 = lb.ft                                   | mm x 0,03937 = in |
| Bar ▶ Pound per square Inch | Normo Liter / minute ▶ Standard cubic feet per minute | Kilogram ▶ Pound  |
| Bar x 14,5 = psi            | NL / min x 0,03531 = scfm                             | Kg x 2,205 = lb   |

# MOTOR MTE 05

## POWER 300 W

MTE 05



\* rotation direction is defined when looking from the back of the motor

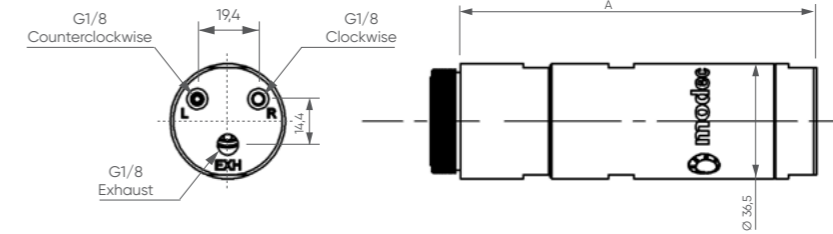
### OPTIONS AVAILABLE FOR THIS MOTOR

|                    |    |    |    |    |    |    |    |    |    |    |    |    |
|--------------------|----|----|----|----|----|----|----|----|----|----|----|----|
| Collected exhaust* | ▶  | ▶  | ▶  | ▶  | ▶  | ▶  | ▶  | ▶  | ▶  | ▶  |    |    |
| ATEX certification |    | ▶  |    |    | ▶  | ▶  |    |    | ▶  | ▶  |    |    |
| Lubrication free   |    |    | ▶  |    |    | ▶  |    |    | ▶  | ▶  |    |    |
| Kit start          |    |    |    | ▶  |    |    | ▶  |    |    | ▶  |    |    |
| Stainless steel    |    |    |    | ▶  |    |    | ▶  | ▶  | ▶  | ▶  |    |    |
| Code               | 01 | 07 | 09 | 10 | 11 | 21 | 22 | 23 | 27 | 28 | 36 | 37 |

\* Exhaust is always collected on "05" series air motors

### LAYOUT

MTE 05



### PERFORMANCES

| MTE 05 XT           |             | Reduction ratio | Air supply pressure | Speed (rpm) |             | Torque (N.m) |                 |        | Max Power (W) | Air cons (NI/min) | Dimensions |             |  |
|---------------------|-------------|-----------------|---------------------|-------------|-------------|--------------|-----------------|--------|---------------|-------------------|------------|-------------|--|
| Air motor reference | @ max Power |                 |                     | Free        | @ max Power | Max (stall)  | Starting torque | A (mm) |               |                   | Ø (mm)     | Weight (kg) |  |
| MTE 05 XT 001       | 1           | 6,2 bars        | 10000               | 20000       | 0,28        | 0,56         | 0,49            | 300    | 500           | 113               | 36,5       | 0,5         |  |
|                     |             | 5 bars          | 9400                | 18800       | 0,24        | 0,44         | 0,39            | 230    | 400           |                   |            |             |  |
|                     |             | 4 bars          | 8400                | 16800       | 0,20        | 0,33         | 0,29            | 180    | 300           |                   |            |             |  |

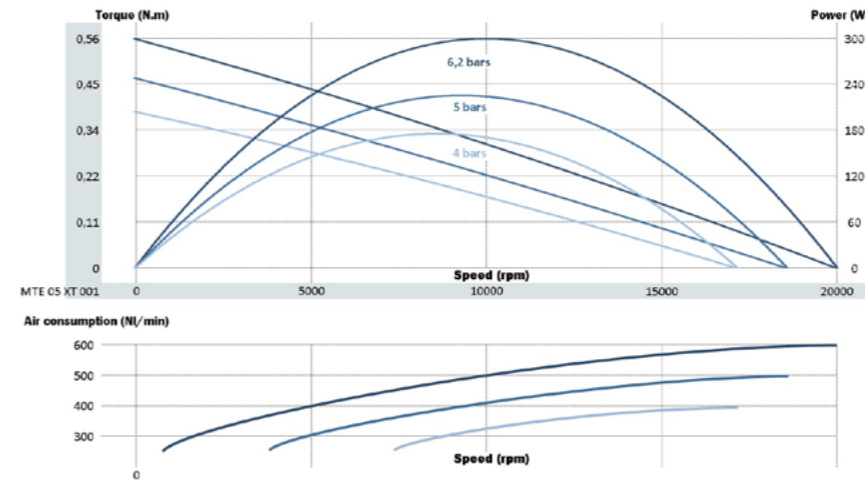
  

| MTE 05 RV           |             | Reduction ratio | Air supply pressure | Speed (rpm) |             | Torque (N.m) |                 |        | Max Power (W) | Air cons (NI/min) | Dimensions |             |  |
|---------------------|-------------|-----------------|---------------------|-------------|-------------|--------------|-----------------|--------|---------------|-------------------|------------|-------------|--|
| Air motor reference | @ max Power |                 |                     | Free        | @ max Power | Max (stall)  | Starting torque | A (mm) |               |                   | Ø (mm)     | Weight (kg) |  |
| MTE 05 RV 001       | 1           | 6,2 bars        | 11400               | 22800       | 0,24        | 0,44         | 0,28            | 300    | 500           | 113               | 36,5       | 0,5         |  |
|                     |             | 5 bars          | 10400               | 20800       | 0,20        | 0,33         | 0,21            | 220    | 400           |                   |            |             |  |
|                     |             | 4 bars          | 9500                | 19000       | 0,17        | 0,22         | 0,14            | 170    | 300           |                   |            |             |  |

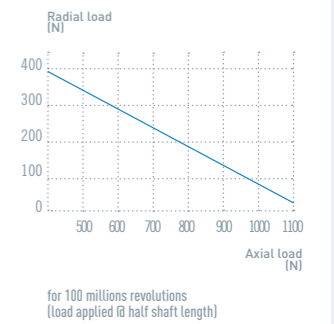
Data indicated in this table have an accuracy of +/- 5%

### POWER, SPEED, TORQUE AND AIR CONSUMPTION GRAPHS

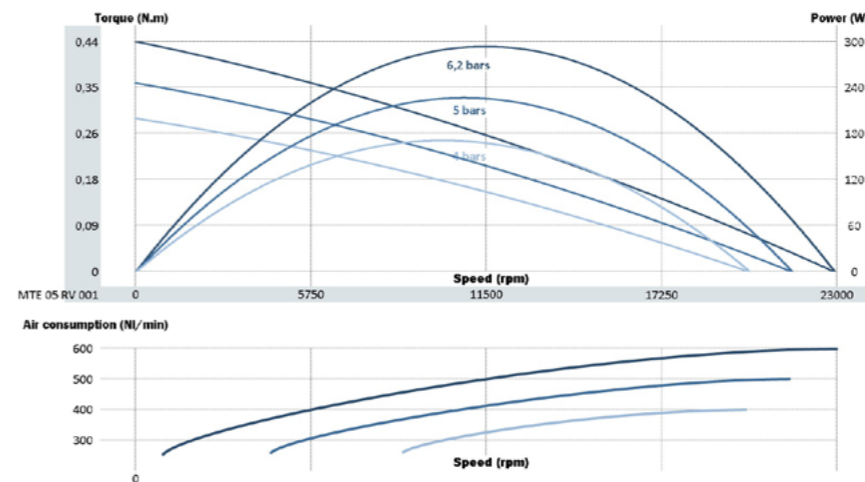
MTE 05 XT



### MAXIMUM RADIAL & AXIAL LOAD



MTE 05 RV

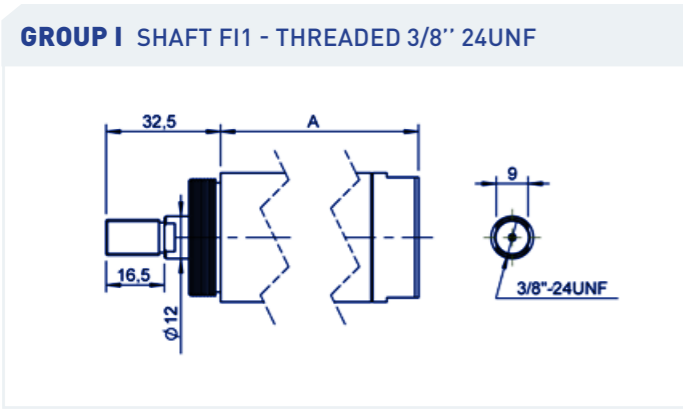
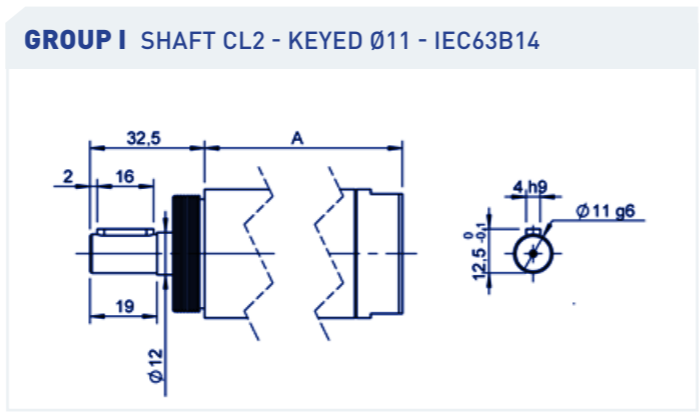
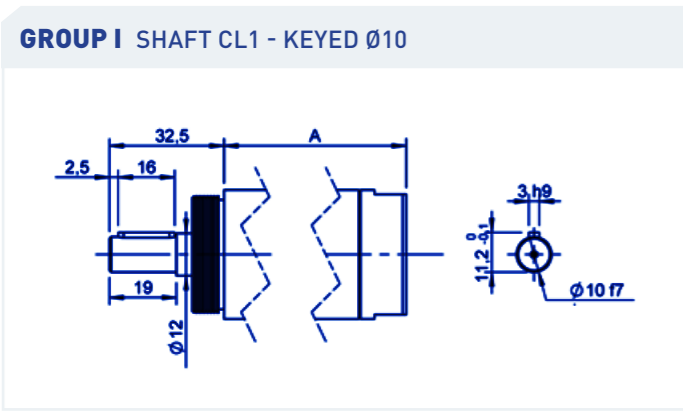
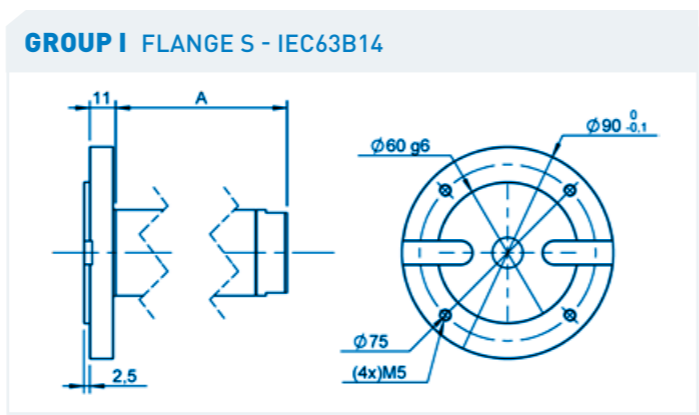
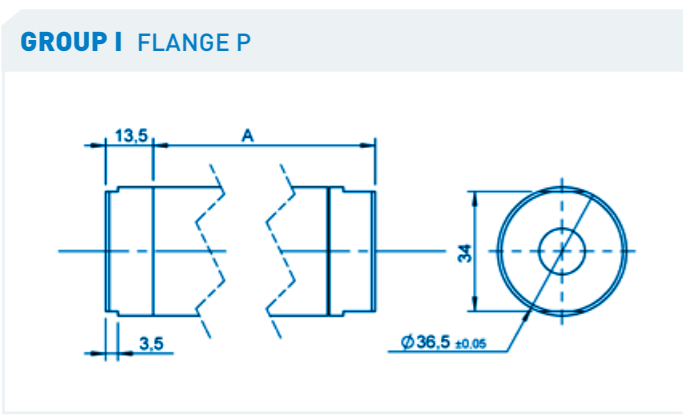
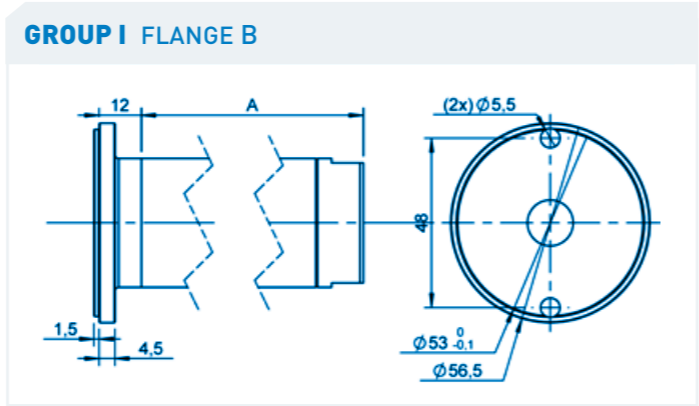
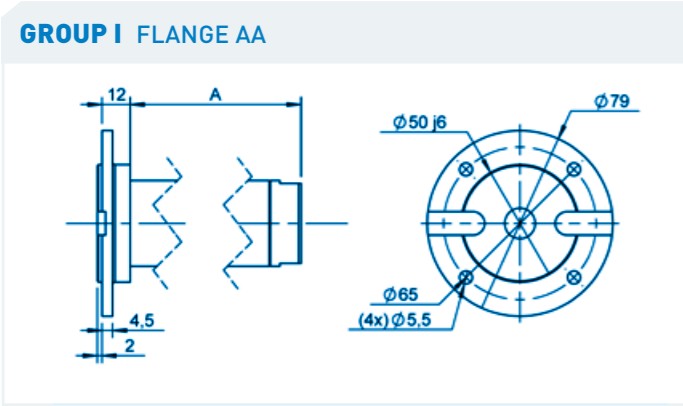


### NOTES

# FLANGES & SHAFTS

Coupling the motor on your machine is as critical as choosing the right motor ! With Modec, no need to modify your machine to make it compliant with the motor. We offer a wide choice of flanges and shafts so that you can find the ones that match your need. In case you don't find the right one, we can design and manufacture specific flanges and shafts on request.

FLANGES & SHAFTS **GROUP I** MTE 05 MTS 05



You didn't find your match ?  
Contact us !