



MAX POWER  
**1900 W**  
MAX TORQUE  
**840 Nm**

Twin brothers of the "10", the "20" series air motors offer the same versatility and are available with the same speed and torque ranges but **with even greater power.**

It contains the 3 same application families (Easy, Standard and Heavy duty) with the same configurations of right angle drive heads and integrated handles. **Ideal for applications as different as blasting, conveyors, lifting or integration in special machines.**

Like their little brothers, the "20" range air motors **can get an integrated speed controller**, which is indispensable for certain manual applications.



+ ACCESSORIES FOR THIS MOTOR	Reference
Filtration, pressure Regulation and Lubrication unit (FRL)	AC107
Safety Air Treatment Box (SAT Box)	AC118
With Pedal remote control	AC119
With handle remote control	AC120
With remote emergency kill switch	AC125
With remote E-Stop and pedal remote control	AC121
With remote E-Stop and handle remote control	AC122
Maintenance kits	
Maintenance kit for "20" series	AC304
Maintenance kit for lube free "20" series	AC314
Maintenance kit for kit start "20" series	AC324
Exhaust collector kit for "20" series	AC341
modec Oil Co-16	AC149
Control handles	
Safety control handle for non reversible "20" series	AC406
Safety control handle for reversible "20" series	AC404
Progressive control handle for non reversible "20" series	AC400
Progressive control handle for reversible "20" series	AC408
Filters et silencers	
Metallic standard silencer	AC182
Metallic standard inlet silencer (RV)	AC181
Plastic standard silencer	AC152
Plastic standard inlet silencer (RV)	AC183
Heavy duty silencer	AC156
Heavy duty inlet silencer (RV)	AC155
High flow air muffler	AC159
Exhaust silencer filter	AC161
Speed control muffler	AC174

CONNECTION AND LUBRICATION					
🔧	Min. fittings Ø		Min. pipe Ø		Lubrification [6,2 bars]
	In	Out	In	Out	
	10 mm / 0,4 In	16 mm / 0,6 In	13 mm / 0,5 In	20 mm / 0,8 In	7 drops / minute

CONVERSION TABLE		
Watt ► Horse power	Newton meter ► Pound feet	Millimeter ► Inch
Watt x 0,001341 = hp	Nm x 0,7376 = lb.ft	mm x 0,03937 = in
Bar ► Pound per square Inch	Normo Liter / minute ► Standard cubic feet per minute	Kilogram ► Pound
Bar x 14,5 = psi	NL / min x 0,03531 = scfm	Kg x 2,205 = lb

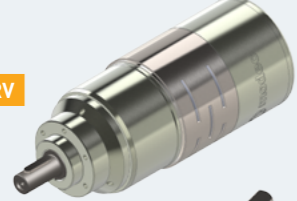
# MOTORS MTE 20 / NTE 20

## POWER 1300-1800 W

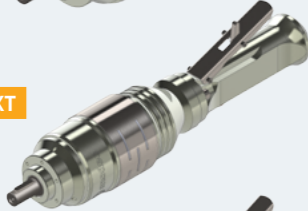
MTE 20 XT



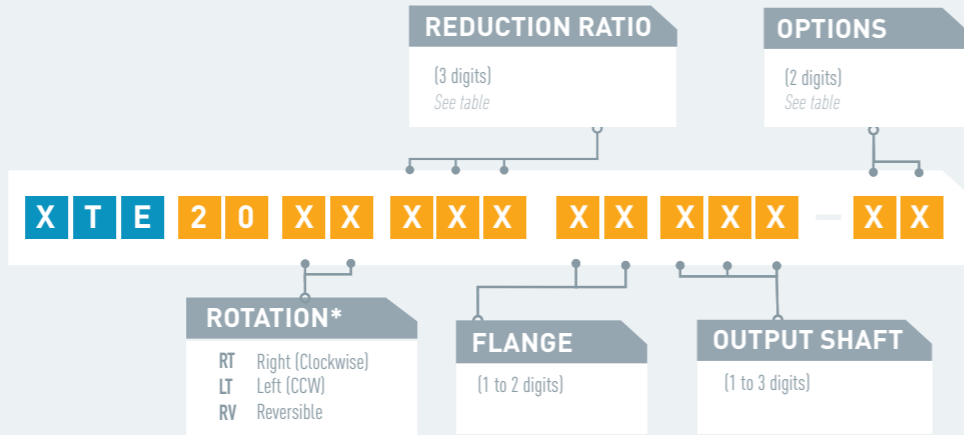
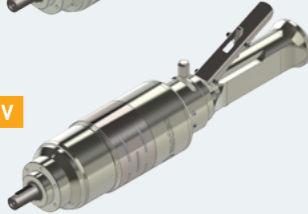
MTE 20 RV



NTE 20 XT

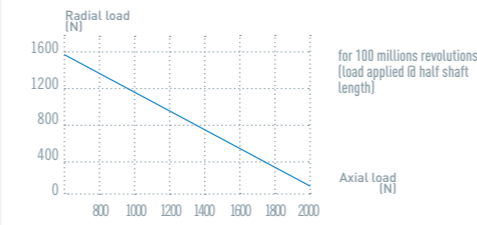


NTE 20 RV



\* rotation direction is defined when looking from the back of the motor

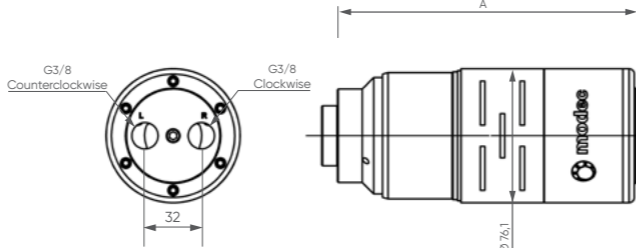
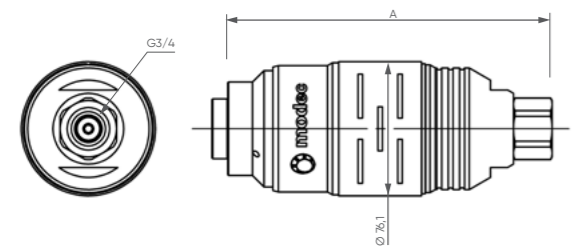
MAXIMUM RADIAL & AXIAL LOAD



LAYOUT

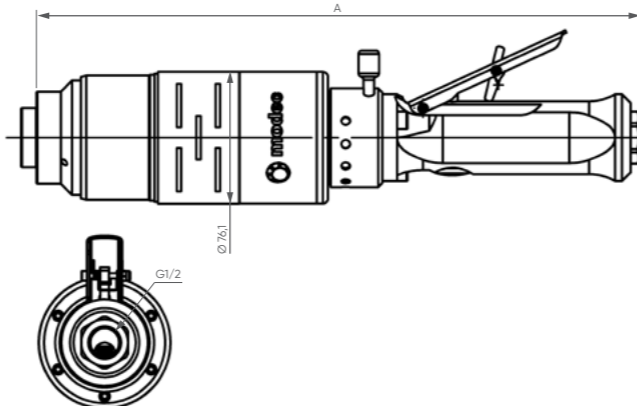
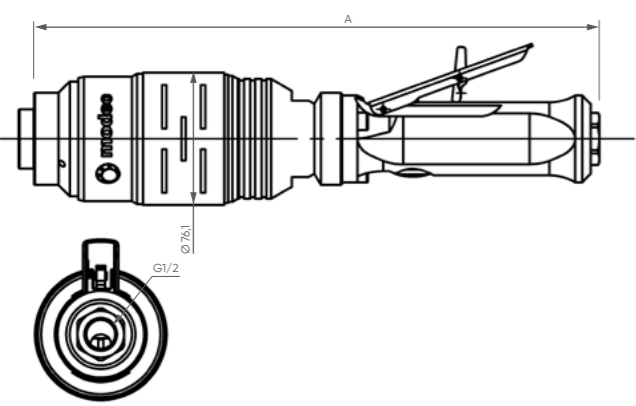
MTE 20 XT

MTE 20 RV



NTE 20 XT

NTE 20 RV



PERFORMANCES	MTE / NTE 20		Air supply pressure	Speed (rpm)		Torque (N.m)			Max Power (W)	Air cons (NI/min)	Dimensions		
	Air motor reference	Reduction ratio		@ max Power	Free	@ max Power	Max (stall)	Starting torque			A (mm)	Ø (mm)	Weight (kg)
MTE 20 XT 001	001	6,2 bars	5800	11600	2,9	5,0	4,4	1700	1900	184,1	76,1	2,1	
		5 bars	5400	10800	2,4	4,1	3,6	1350	1600				
		4 bars	5000	10000	2,0	3,3	2,9	1100	1200				
MTE 20 RV 001	001	6,2 bars	5400	10800	3,1	3,9	3,5	1800	2100	170,1	76,1	2,5	
		5 bars	5100	10200	2,5	3,3	2,9	1350	1700				
		4 bars	4800	9600	2,0	2,7	2,4	1000	1400				
NTE 20 XT 001	001	6,2 bars	5600	11200	2,6	4,7	4,1	1550	1800	327,1	76,1	2,7	
		5 bars	5300	10600	2,2	3,8	3,3	1200	1500				
		4 bars	5000	10000	1,8	3,2	2,8	950	1200				
NTE 20 RV 001	001	6,2 bars	4700	9400	2,7	3,4	3,0	1350	1800	348,6	76,1	3,3	
		5 bars	4400	8800	2,2	2,8	2,5	1000	1500				
		4 bars	4100	8200	1,8	2,3	2,0	750	1200				

Data indicated in this table have an accuracy of +/- 5%

OPTIONS AVAILABLE FOR THE MTE 20

Option	01	02	03	04	05	06	07	09	10	11	12	13	14	15	16	17	18	19	21	22	23	27	28	29	30	31	32	36	37
Collected exhaust																													
ATEX certification																													
Left/Right switch*																													
Lubrication free																													
Kit start																													
Speed control**																													
Inox																													
Code	01	02	03	04	05	06	07	09	10	11	12	13	14	15	16	17	18	19	21	22	23	27	28	29	30	31	32	36	37

OPTIONS AVAILABLE FOR THE NTE 20 XT

Option	01	02	04	05	06	07	09	10	13	14	15	18	19	21	22	31	32
Collected exhaust																	
ATEX certification																	
Lubrication free																	
Kit start																	
Speed control																	
Code	01	02	04	05	06	07	09	10	13	14	15	18	19	21	22	31	32

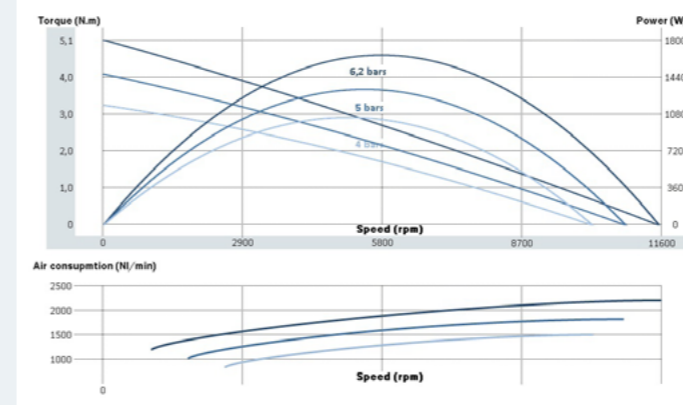
FOR THE NTE 20 RV

Option	03	12	16	17	29	30
ATEX certification						
Left/Right switch						
Lubrication free						
Kit start						
Code	03	12	16	17	29	30

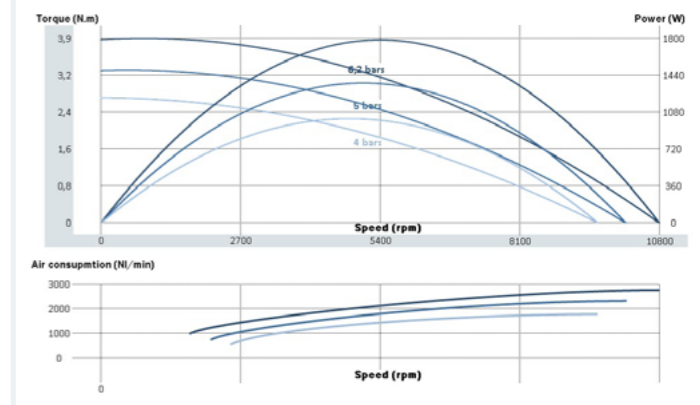
\* Reversible motors only \*\* Non reversible motors only

POWER, SPEED, TORQUE AND AIR CONSUMPTION GRAPHS

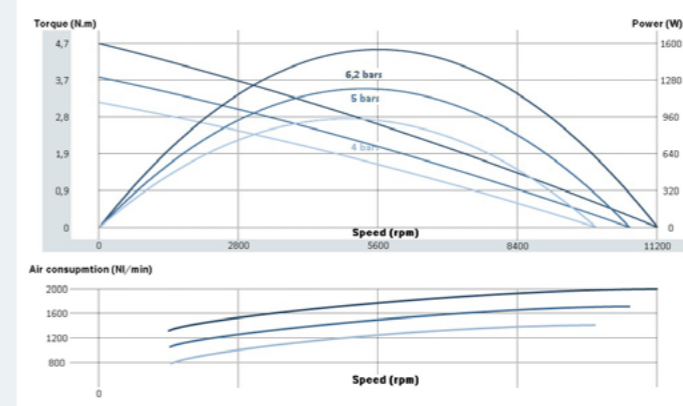
MTE 20 XT



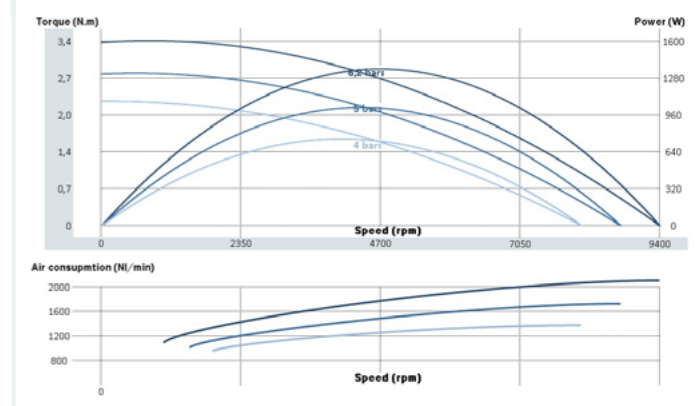
MTE 20 RV



NTE 20 XT



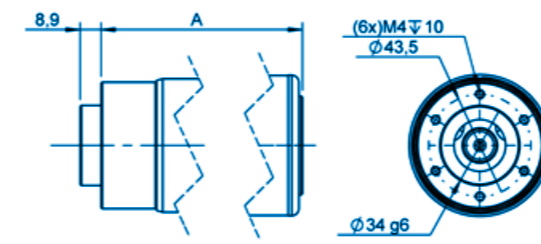
NTE 20 RV



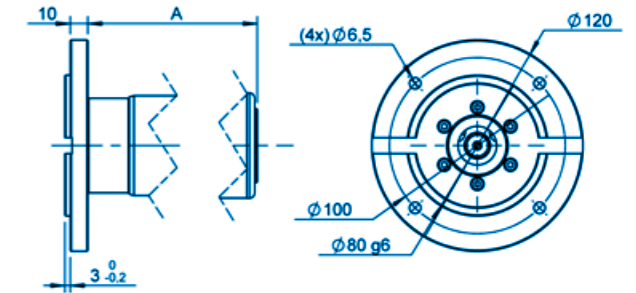
FLANGES & SHAFTS **GROUP III**

- XTE 08
- XTE 10
- XTE 20
- XTE 25

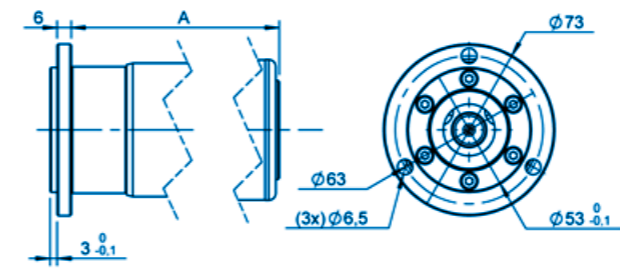
**GROUP III** FLANGE AA



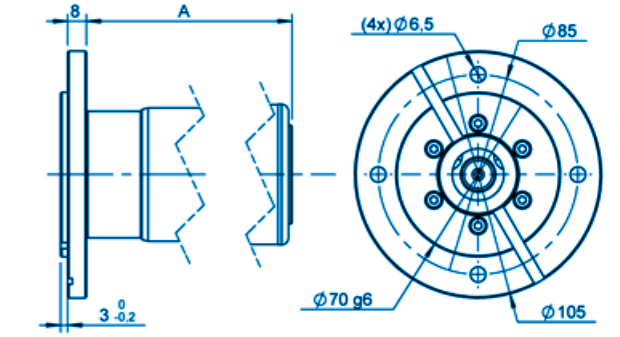
**GROUP III** FLANGE AB - IEC 80B14



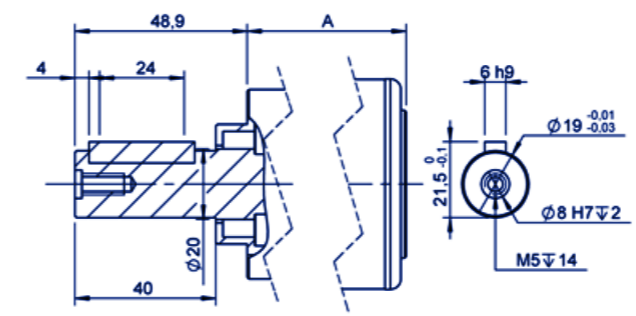
**GROUP III** FLANGE B



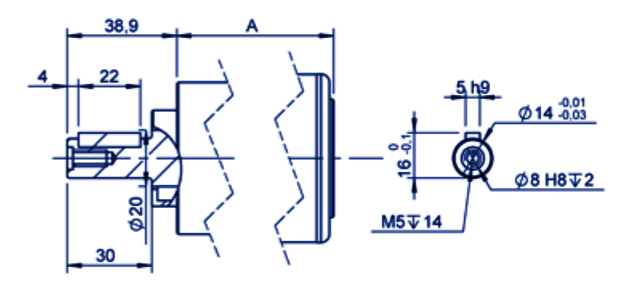
**GROUP III** FLANGE FJ - IEC 71B14



**GROUP III** SHAFT 001 - KEYED Ø19 - IEC 80B14



**GROUP III** SHAFT C25 - KEYED Ø14 - IEC 71B14



You didn't find your match ?

Contact us !