



MAX POWER  
**1300 W**  
MAX TORQUE  
**1000 Nm**

Powerful and compact, "10" series air motors can develop more than 1200 W and weigh only 2kg for a 60 mm diameter and a total length that can be as short as 155 mm. This makes it one of the highest power-to-weight ratio air motor on the market.

Available in 4 families (Easy, Standard, Heavy and Super heavy duty) with several types of gearboxes and right angle heads, it can develop up to 1000 Nm torque.

The wide variety of flanges and shafts allows the "10" range air motors to be easily fitted to any machine for a wide range of applications.



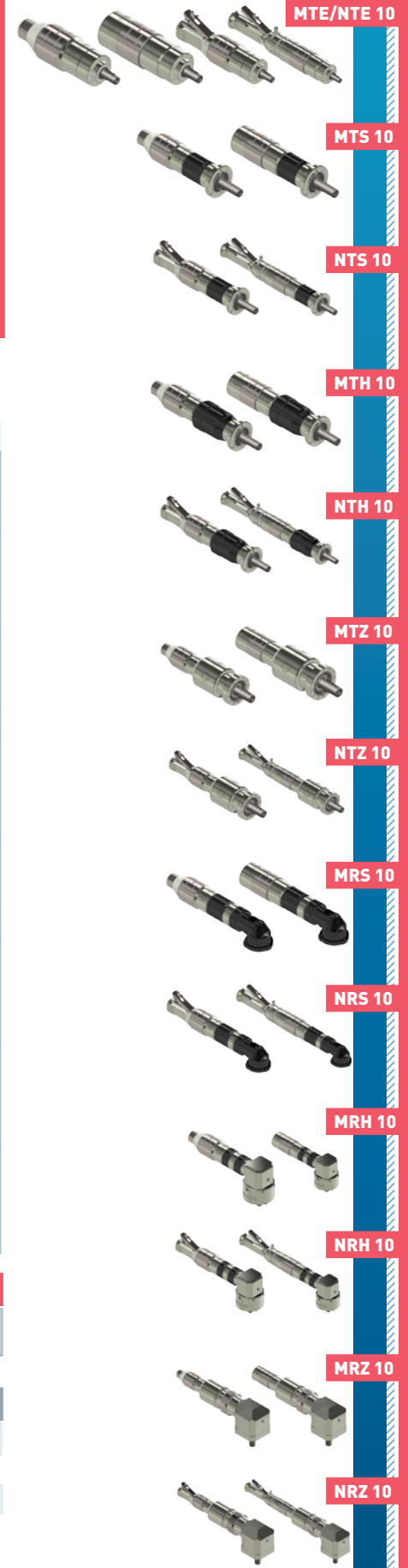
+ ACCESSORIES FOR THIS MOTOR	Reference
Filtration, pressure Regulation and Lubrication unit (FRL)	AC107
Safety Air Treatment Box (SAT Box)	AC118
With Pedal remote control	AC119
With handle remote control	AC120
With remote emergency kill switch	AC125
With remote E-Stop and pedal remote control	AC121
With remote E-Stop and handle remote control	AC122
Maintenance kits	
Maintenance kit for "10 XT" series	AC303
Maintenance kit for "10 RV" series	AC308
Maintenance kit for lube free "10 XT" series	AC313
Maintenance kit for lube free "10 RV" series	AC318
Maintenance kit for kit start "10 XT" series	AC323
Maintenance kit for kit start "10 RV" series	AC328
Exhaust collector kit for "10" series	AC340
modec Oil Co-16	AC149
Control handles	
Safety control handle for non reversible "10" series	AC406
Safety control handle for reversible "10" series	AC404
Progressive control handle for non reversible "10" series	AC400
Progressive control handle for reversible "10" series	AC408
Filters and silencers	
Metallic standard silencer	AC182
Metallic standard inlet silencer (RV)	AC181
Plastic standard silencer	AC152
Plastic standard inlet silencer (RV)	AC183
Heavy duty silencer	AC156
Heavy duty inlet silencer (RV)	AC155
High flow air muffler	AC158
Exhaust silencer filter	AC165
Speed control muffler	AC174

**CONNECTION AND LUBRICATION**

Min. fittings Ø	Min. pipe Ø		Lubrication (6,2 bars)
	In	Out	
10 mm / 0,4 In	16 mm / 0,6 In	13 mm / 0,5 In 20 mm / 0,8 In	6 drops / minute

**CONVERSION TABLE**

Watt ▶ Horse power	Newton meter ▶ Pound feet	Millimeter ▶ Inch
Watt x 0,001341 = hp	Nm x 0,7376 = lb.ft	mm x 0,03937 = in
Bar ▶ Pound per square Inch	Normo Liter / minute ▶ Standard cubic feet per minute	Kilogram ▶ Pound
Bar x 14,5 = psi	NL / min x 0,03531 = scfm	Kg x 2,205 = lb



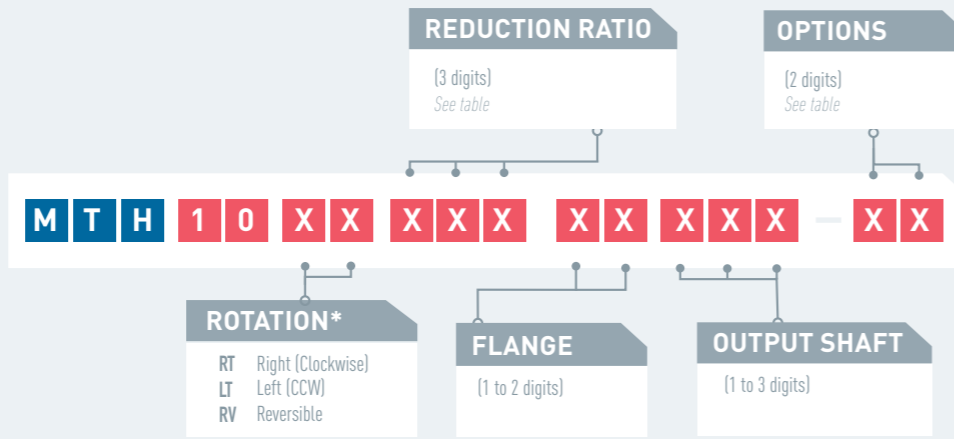
# MOTOR MTH 10

## POWER 1100-1250 W



MTH 10 XT

MTH 10 RV



\* rotation direction is defined when looking from the back of the motor

PERFORMANCES	MTH 10 XT												
	Air motor reference	Reduction ratio	Air supply pressure	Speed (rpm)		Torque (N.m)			Max Power (W)	Air cons (NL/min)	Dimensions		
				@ max Power	Free	@ max Power	Max (stall)	Starting torque			A (mm)	Ø (mm)	Weight (kg)
MTH 10 XT 096	96	6 bars	78	156	132	192	158	1080	1600	260	69	3,4	
MTH 10 XT 115	115	6 bars	65	130	159	231	189	1080	1600	260	69	3,4	
MTH 10 XT 147	147	6 bars	51	102	202	294	241	1080	1600	260	69	3,4	
MTH 10 RV													
Air motor reference	Reduction ratio	Air supply pressure	Speed (rpm)		Torque (N.m)			Max Power (W)	Air cons (NL/min)	Dimensions			
			@ max Power	Free	@ max Power	Max (stall)	Starting torque			A (mm)	Ø (mm)	Weight (kg)	
MTH 10 RV 096	96	6 bars	85	170	140	180	158	1243	1600	250,5	69	3,4	
MTH 10 RV 115	115	6 bars	67	134	132	173	152	1243	1300	250,5	69	3,4	
MTH 10 RV 147	147	6 bars	56	111	214	275	242	1243	1600	250,5	69	3,4	

Data indicated in this table have an accuracy of +/- 5%

### OPTIONS AVAILABLE FOR THIS MOTOR

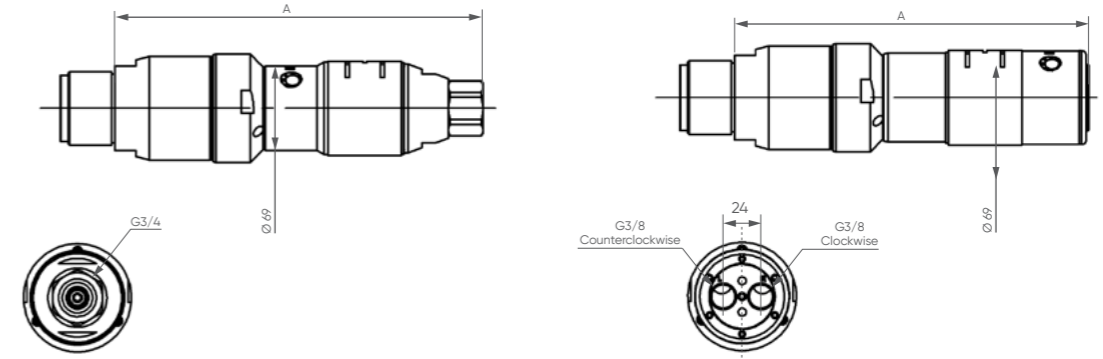
Collected exhaust	00	01	02	03	04	05	06	07	09	10	12	13	14	15	16	17	18	19	21	22	29	30	31	32
ATEX certification																								
Left/Right switch*																								
Lubrication free																								
Kit start																								
Speed control**																								

\* Reversible motors only \*\* Non reversible motors only

### LAYOUT

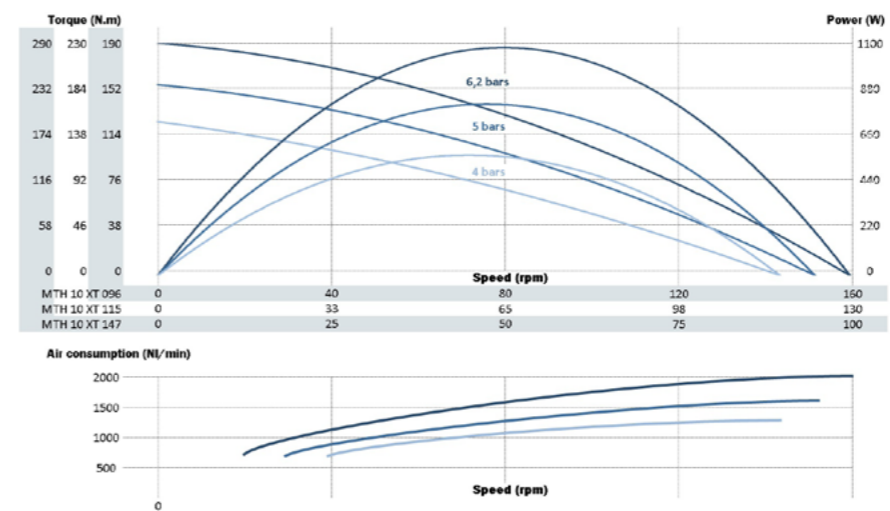
MTH 10 XT

MTH 10 RV

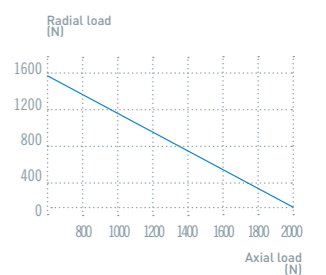


### POWER, SPEED, TORQUE AND AIR CONSUMPTION GRAPHS

MTH 10 XT

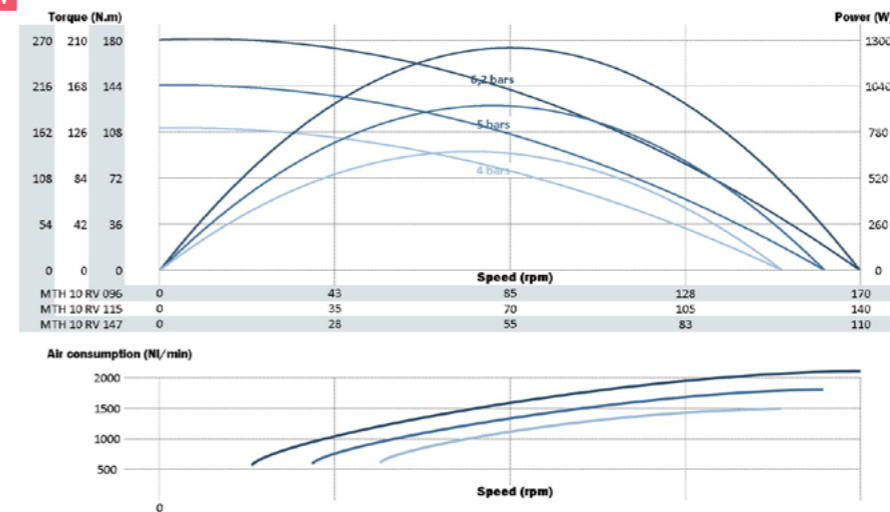


### MAXIMUM RADIAL & AXIAL LOAD



for 100 millions revolutions (load applied @ half shaft length)

MTH 10 RV

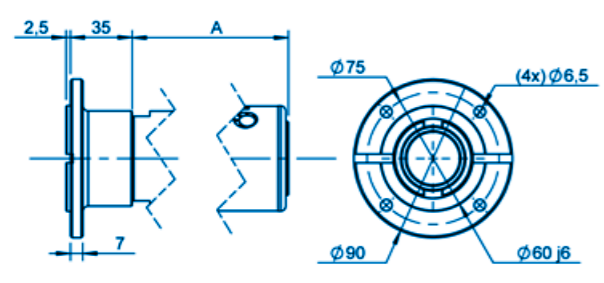


### NOTES

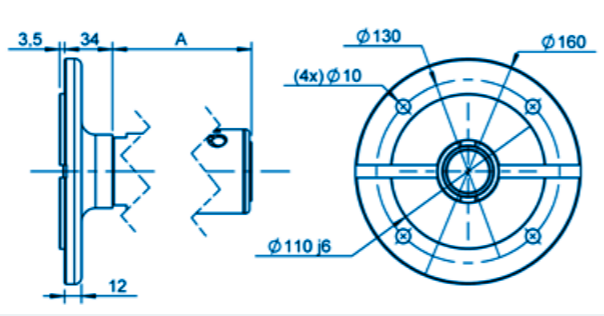
Notes area with horizontal lines for additional information.

FLANGES **GROUP IV** (1/3) XTH 05 XTH 07 XTS 08 XTH 08 XTS 10 XTH 10 XTS 20 XTS 25

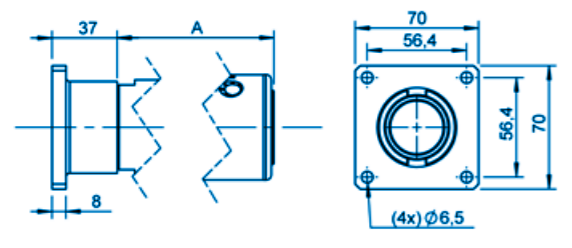
**GROUP IV** FLANGE AB - IEC63B14



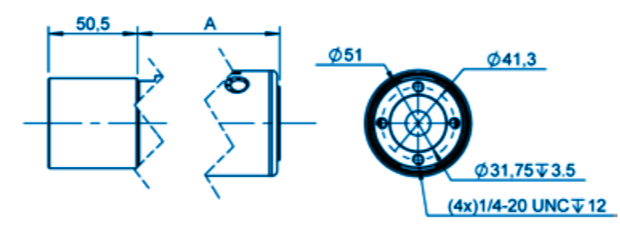
**GROUP IV** FLANGE AC - IEC71B5



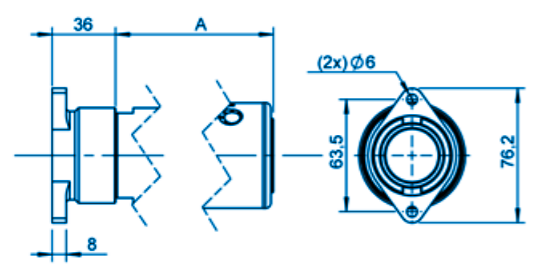
**GROUP IV** FLANGE AF



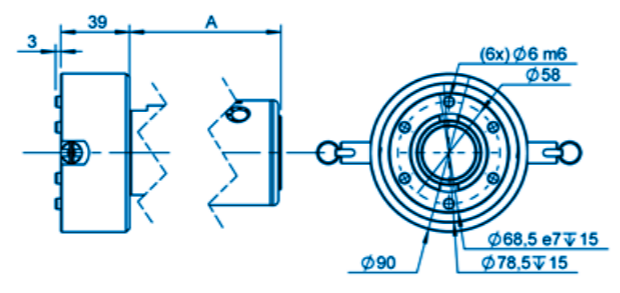
**GROUP IV** FLANGE AH



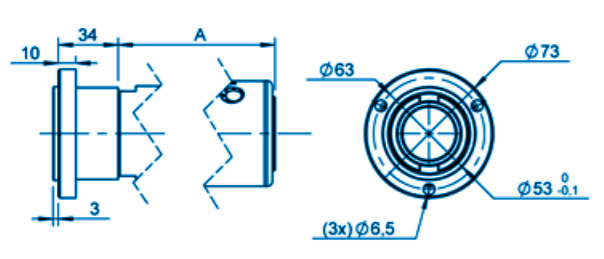
**GROUP IV** FLANGE AS



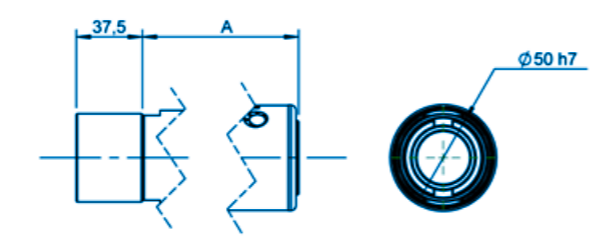
**GROUP IV** FLANGE AX - ARP



**GROUP IV** FLANGE B

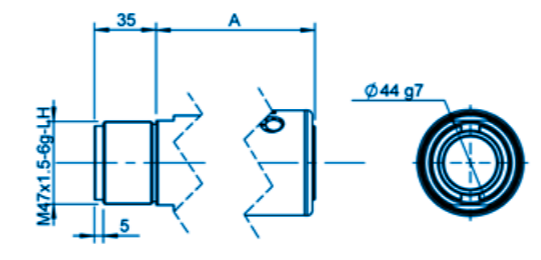


**GROUP IV** FLANGE B0

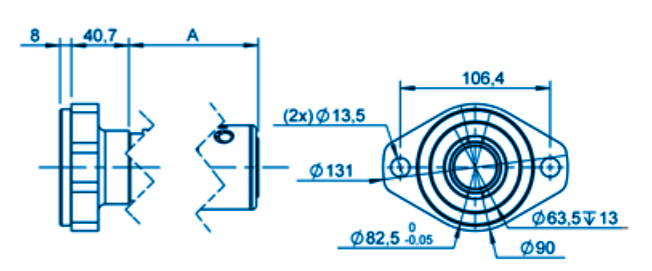


FLANGES **GROUP IV** (2/3) XTH 05 XTH 07 XTS 08 XTH 08 XTS 10 XTH 10 XTS 20 XTS 25

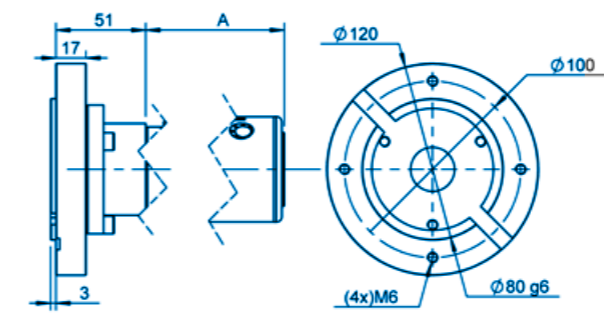
**GROUP IV** FLANGE F



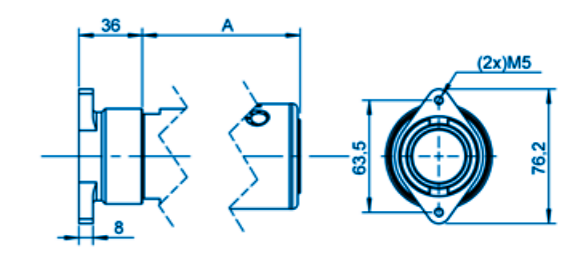
**GROUP IV** FLANGE FH



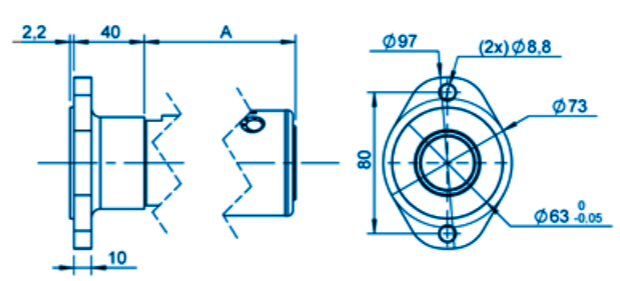
**GROUP IV** FLANGE FJ - IEC80B14



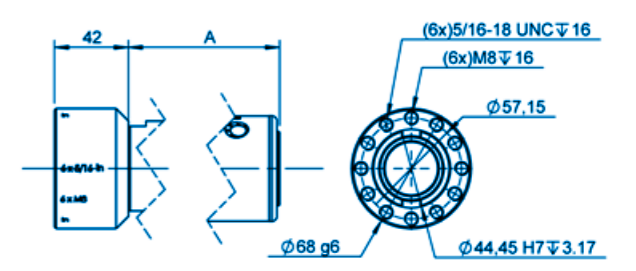
**GROUP IV** FLANGE J



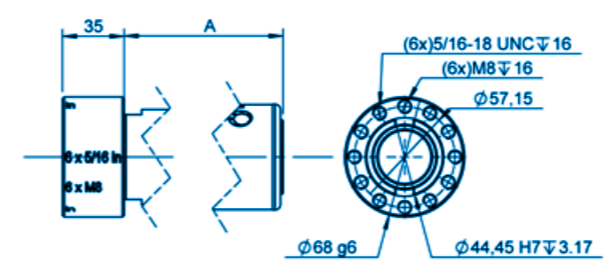
**GROUP IV** FLANGE L



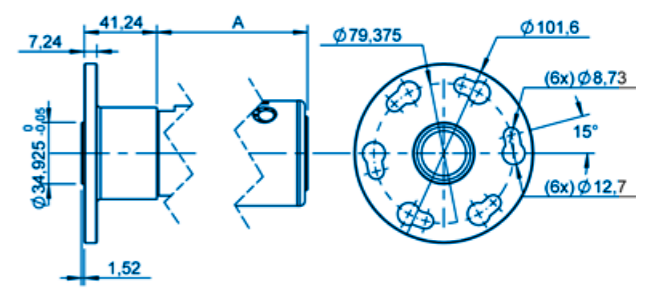
**GROUP IV** FLANGE M



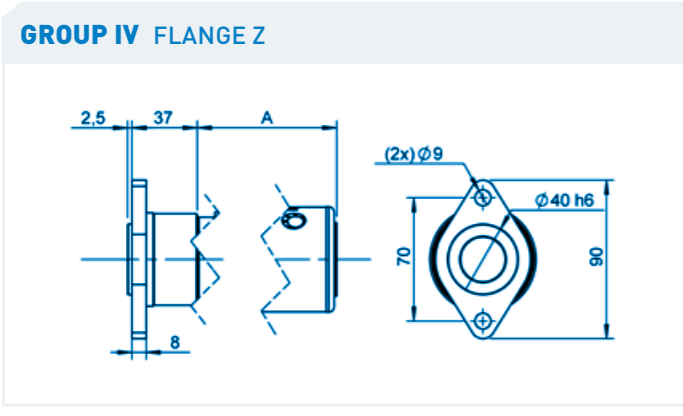
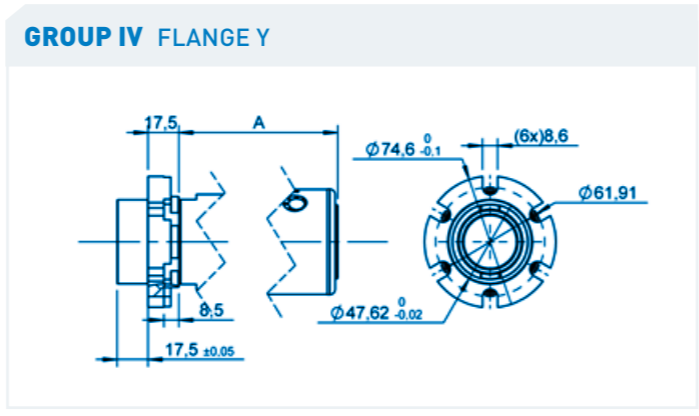
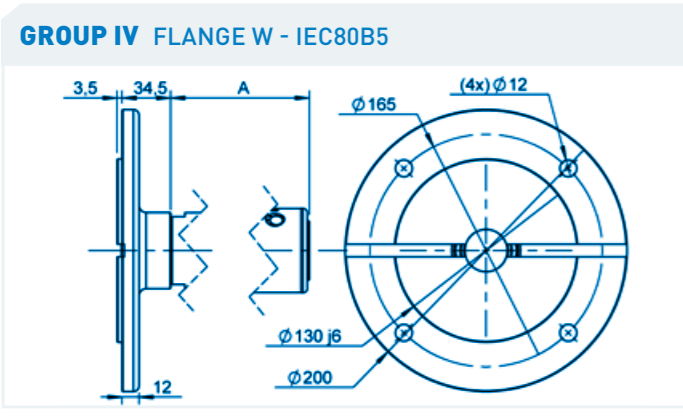
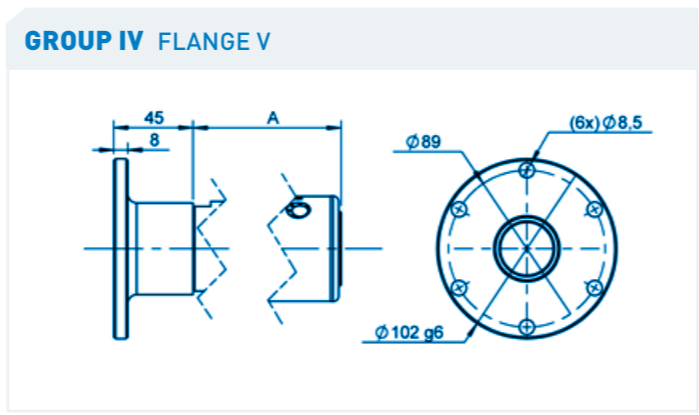
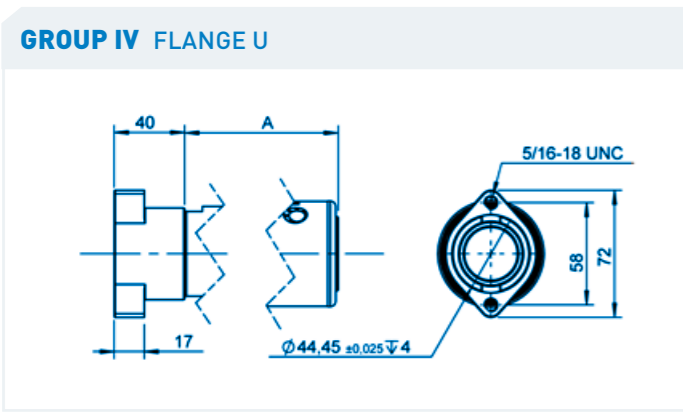
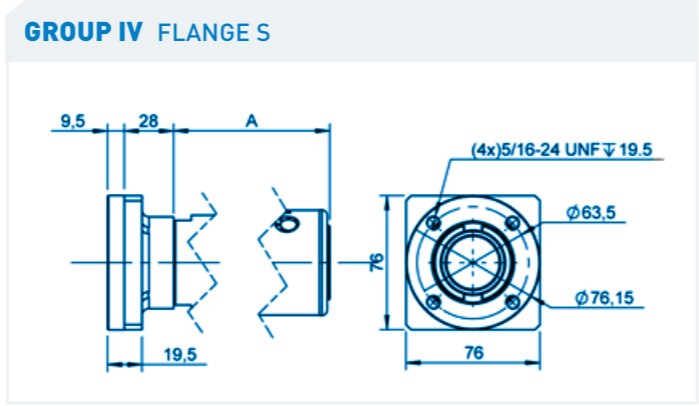
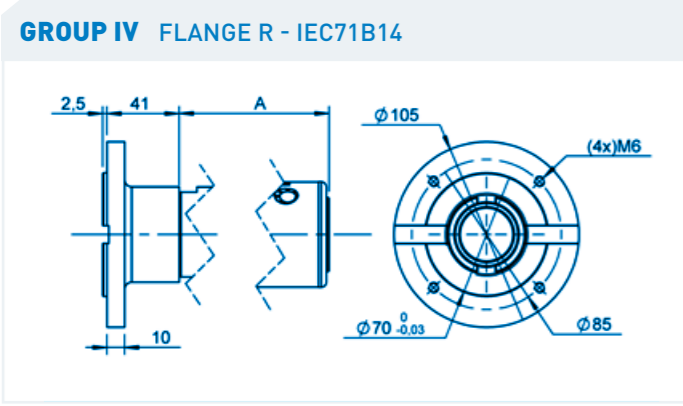
**GROUP IV** FLANGE N



**GROUP IV** FLANGE Q

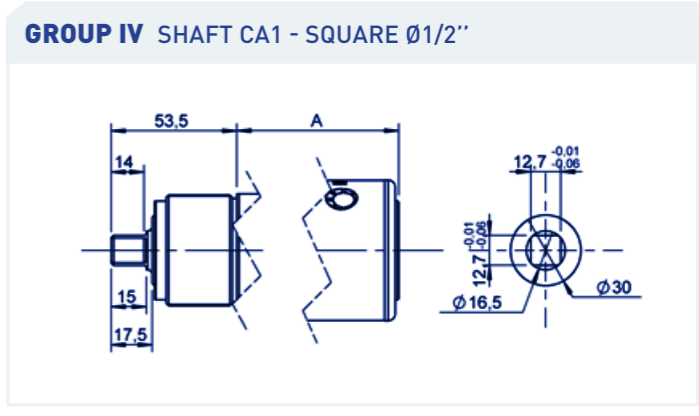
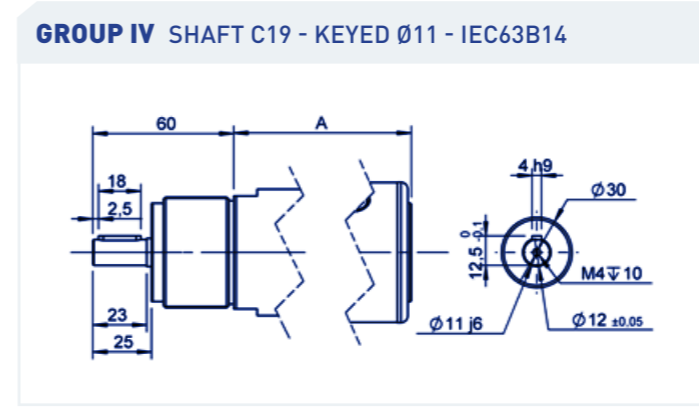
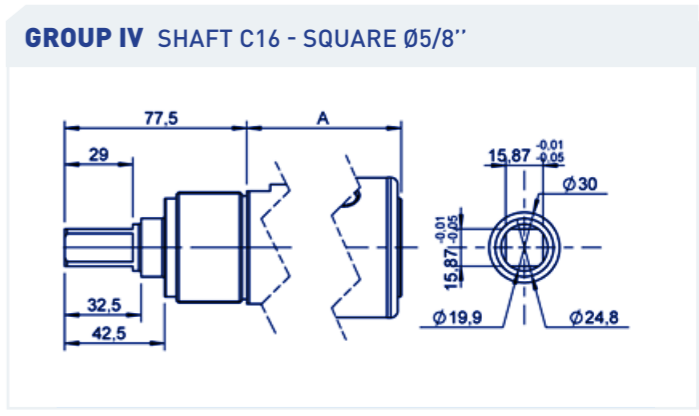
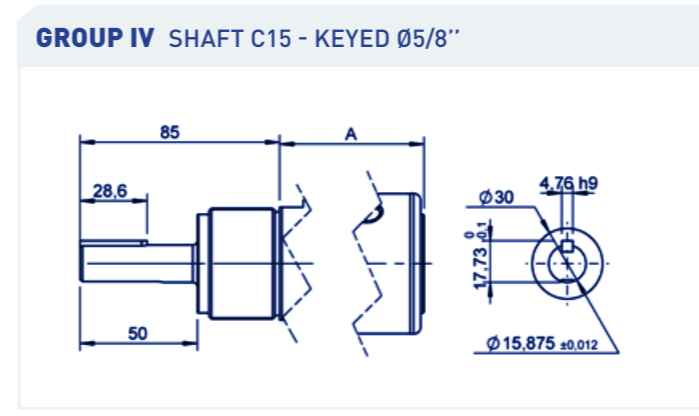
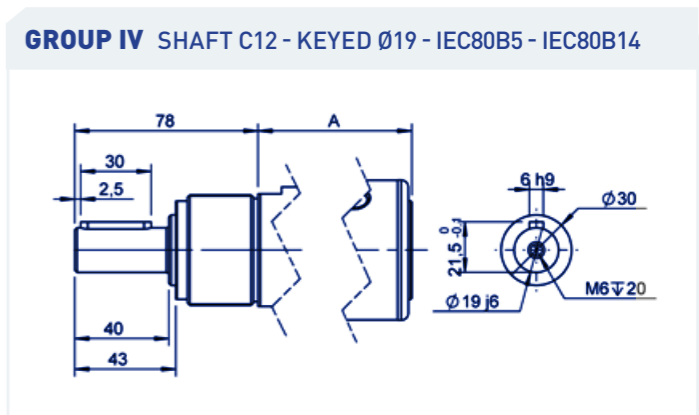
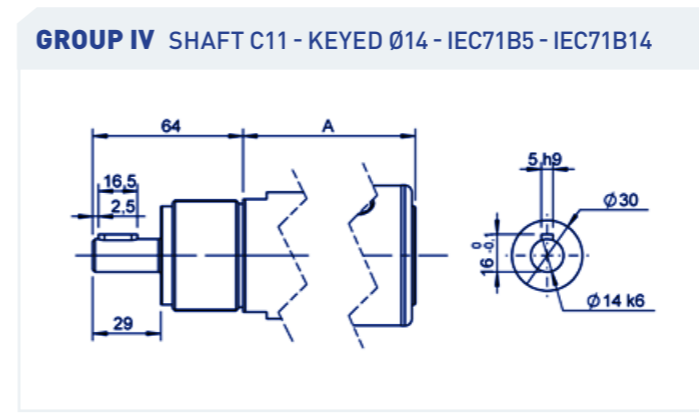
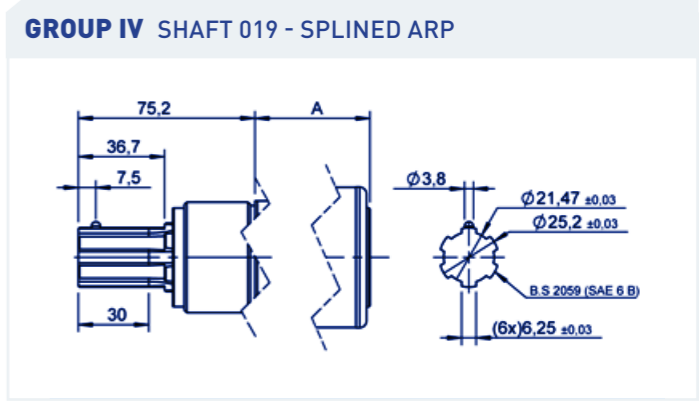
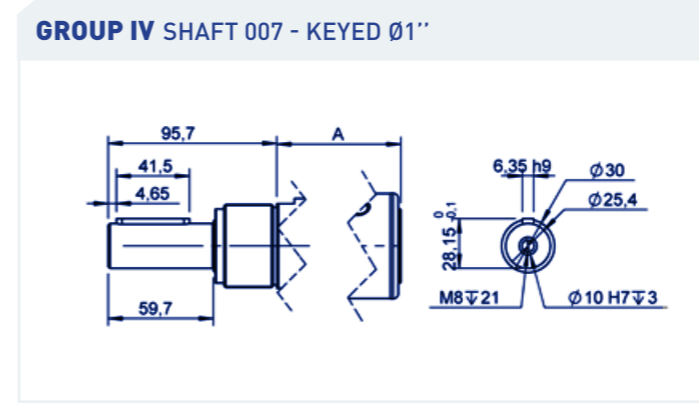


FLANGES **GROUP IV** (3/3) XTH 05 XTH 07 XTS 08 XTH 08 XTS 10 XTH 10 XTS 20 XTS 25



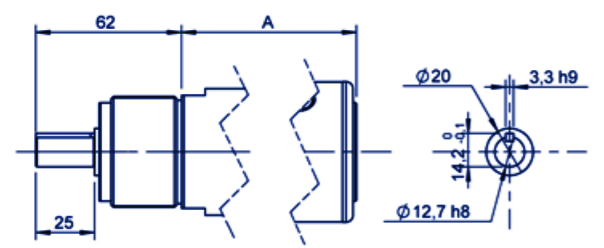
You didn't find your match ?  
Contact us !

SHAFTS **GROUP IV** (1/3) XTH 05 XTH 07 XTS 08 XTH 08 XTS 10 XTH 10 XTS 20 XTS 25

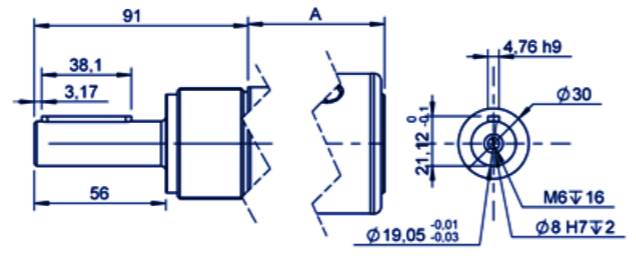


SHAFTS **GROUP IV** (2/3) XTH 05 XTH 07 XTS 08 XTH 08 XTS 10 XTH 10 XTS 20 XTS 25

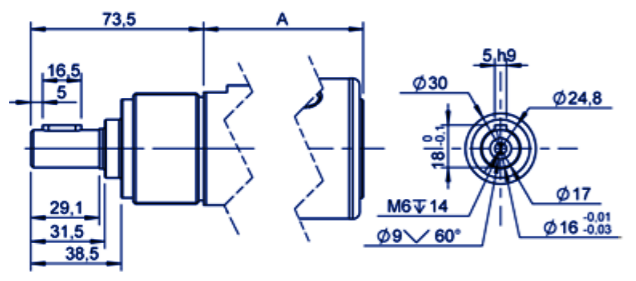
**GROUP IV** SHAFT CL1 - KEYED Ø1/2"



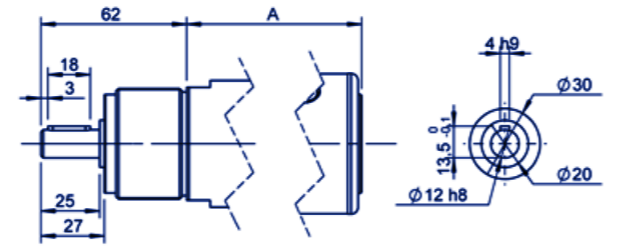
**GROUP IV** SHAFT CL2 - KEYED Ø3/4"



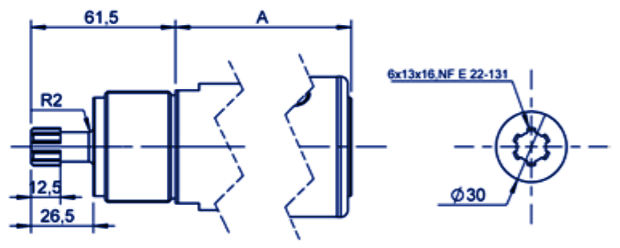
**GROUP IV** SHAFT CL6 - KEYED Ø16



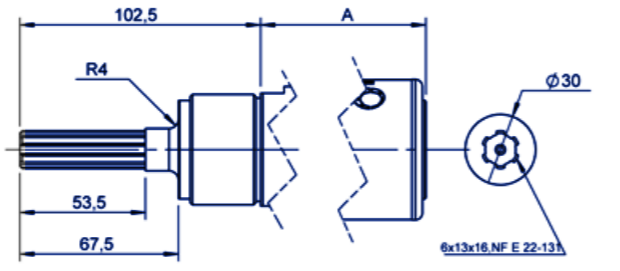
**GROUP IV** SHAFT CL9 - KEYED Ø12



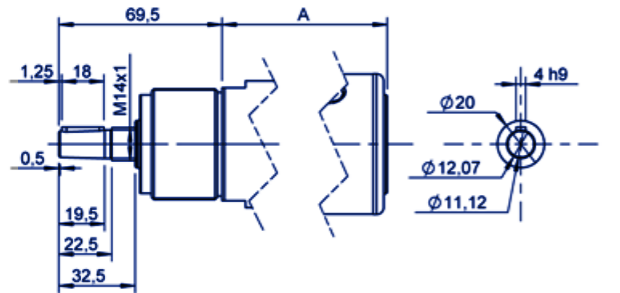
**GROUP IV** SHAFT CNC - SPLINED SHORT



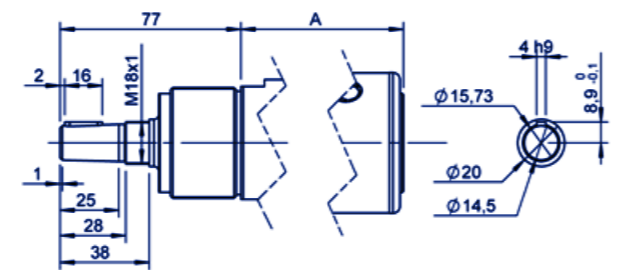
**GROUP IV** SHAFT CNL - SPLINED LONG



**GROUP IV** SHAFT CONICAL B12

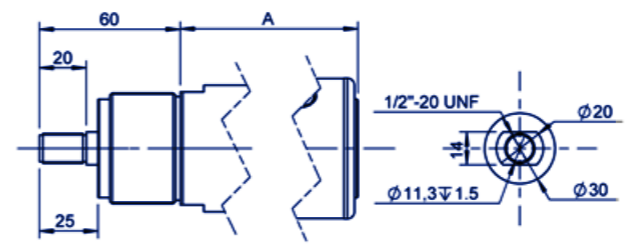


**GROUP IV** SHAFT CONICAL B16



SHAFTS **GROUP IV** (3/3) XTH 05 XTH 07 XTS 08 XTH 08 XTS 10 XTH 10 XTS 20 XTS 25

**GROUP IV** SHAFT FI1 - THREADED Ø1/2"



You didn't find your match ?  
Contact us !