

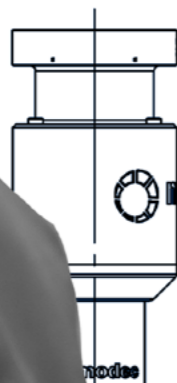
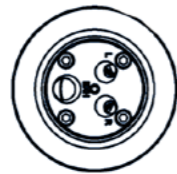


MAX POWER
710 W
MAX TORQUE
730 Nm

"08" series air motors exist in many versions, straight shaft or right angle drive, with or without integrated control handle, and with many different flanges and output shafts available as standard.


That air motor is also available with 4 types of integrated gearboxes, enabling it to adapt to many different applications, whether high speed is required (Easy duty), good balance between speed and torque (Standard duty) or high torque and robustness is mandatory (Heavy duty and Super Heavy duty).

With a maximum power of 700 W, it is one of the most versatile air motors in the range.



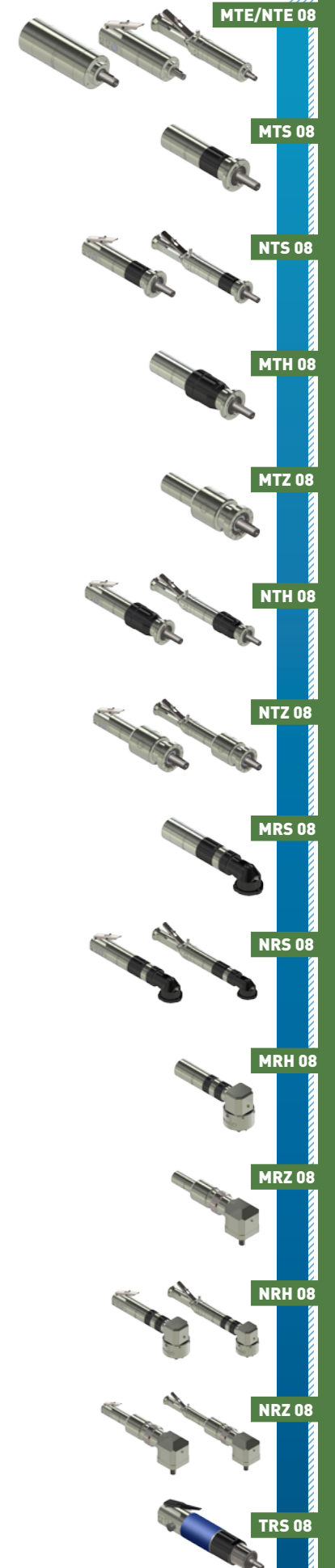
+ ACCESSORIES FOR THIS MOTOR	Reference
Filtration, pressure Regulation and Lubrication unit (FRL)	AC107
Safety Air Treatment Box (SAT Box)	AC118
With Pedal remote control	AC119
With handle remote control	AC120
With remote emergency kill switch	AC125
With remote E-Stop and pedal remote control	AC121
With remote E-Stop and handle remote control	AC122
Maintenance kits	
Maintenance kit for "08" series	AC302
Maintenance kit for lube free "08" series	AC312
Maintenance kit for kit start "08" series	AC322
Control handles	
Safety control handle for non reversible motor	AC415
Safety control handle for reversible motor	AC416
Progressive control handle for non reversible motor	AC417
Progressive control handle for reversible motor	AC418
modec Oil Co-16	AC149
Filters and silencers	
Metallic standard exhaust silencer	AC181
Metallic standard inlet silencer	AC180
Plastic standard exhaust silencer	AC183
Plastic standard inlet silencer	AC150
Heavy duty exhaust silencer	AC155
Heavy duty inlet silencer	AC154
Speed control muffler	AC172
High flow air muffler	AC158
Exhaust silencer filter	AC165

CONNECTION AND LUBRICATION

	Min. fittings Ø		Min. pipe Ø		Lubrication (6,2 bars)
	In	Out	In	Out	
	7 mm / 0,3 In	10 mm / 0,4 In	9 mm / 0,4 In	13 mm / 0,5 In	4 drops / minute

CONVERSION TABLE

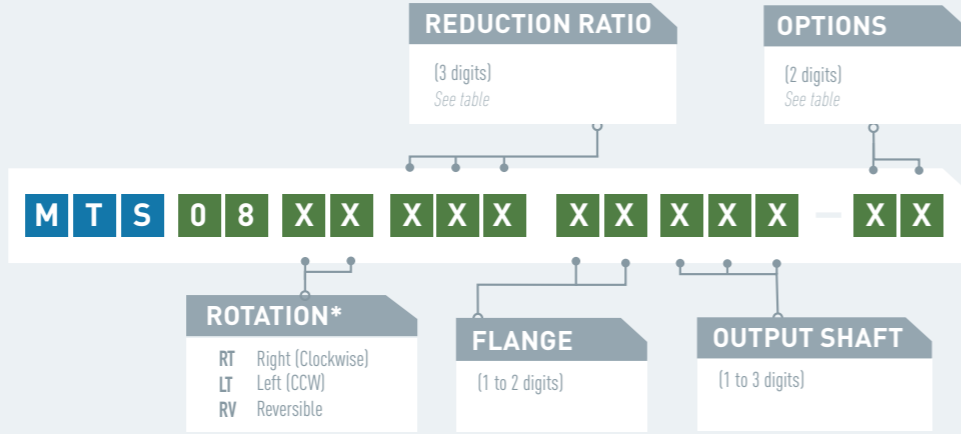
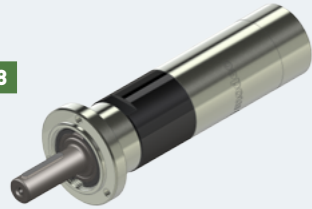
Watt ► Horse power	Newton meter ► Pound feet	Millimeter ► Inch
Watt x 0,001341 = hp	Nm x 0,7376 = lb.ft	mm x 0,03937 = in
Bar ► Pound per square Inch	Normo Liter / minute ► Standard cubic feet per minute	Kilogram ► Pound
Bar x 14,5 = psi	NL / min x 0,03531 = scfm	Kg x 2,205 = lb



MOTOR MTS 08

POWER 590-710 W

MTS 08



* rotation direction is defined when looking from the back of the motor

PERFORMANCES

MTS 08 XT	Air motor reference	Reduction ratio	Air supply pressure	Speed (rpm)		Torque (N.m)			Max Power (W)	Air cons (NL/min)	Dimensions		
				@ max Power	Free	@ max Power	Max (stall)	Starting torque			A (mm)	Ø (mm)	Weight (kg)
MTS 08 XT 005	5	6,2 bars	1914	3828	3,4	5,9	5,2	689	1000	136,9	54	1,7	
		5 bars	1731	3462	2,9	4,8	4,2	531	850				
		4 bars	1560	3120	2,4	3,7	3,3	392	650				
MTS 08 XT 006	6	6,2 bars	1598	3196	4,1	7,1	6,2	689	1000	136,9	54	1,7	
		5 bars	1445	2890	3,5	5,8	5,1	531	850				
		4 bars	1302	2604	2,9	4,4	3,9	392	650				
MTS 08 XT 007	7	6,2 bars	1254	2507	5,3	9,0	7,9	689	1000	136,9	54	1,7	
		5 bars	1134	2267	4,5	7,3	6,5	531	850				
		4 bars	1022	2043	3,7	5,6	5,0	392	650				
MTS 08 XT 011	11	6,2 bars	875	1750	7,5	13	11	689	1000	136,9	54	1,7	
		5 bars	791	1583	6,4	11	9,2	531	850				
		4 bars	713	1426	5,3	8,1	7,1	392	650				
MTS 08 XT 023	23	6,2 bars	416	832	14	25	22	628	1000	163,9	54	2,0	
		5 bars	381	762	12	20	18	477	850				
		4 bars	346	691	10	16	14	358	650				
MTS 08 XT 028	28	6,2 bars	347	694	17	30	27	628	1000	163,9	54	2,0	
		5 bars	318	636	14	24	21	477	850				
		4 bars	289	577	12	19	16	358	650				
MTS 08 XT 035	35	6,2 bars	272	545	22	39	34	628	1000	163,9	54	2,0	
		5 bars	249	499	18	31	27	477	850				
		4 bars	226	453	15	24	21	358	650				
MTS 08 XT 042	42	6,2 bars	227	455	26	47	41	628	1000	163,9	54	2,0	
		5 bars	208	416	22	37	33	477	850				
		4 bars	189	378	18	28	25	358	650				
MTS 08 XT 054	54	6,2 bars	178	357	34	59	52	628	1000	163,9	54	2,0	
		5 bars	163	327	28	47	42	477	850				
		4 bars	148	297	23	36	32	358	650				
MTS 08 XT 060	60	6,2 bars	159	317	38	67	59	628	1000	163,9	54	2,0	
		5 bars	145	291	31	53	47	477	850				
		4 bars	132	264	26	41	36	358	650				
MTS 08 XT 077	77	6,2 bars	125	249	48	85	75	628	1000	163,9	54	2,0	
		5 bars	114	228	40	68	60	477	850				
		4 bars	104	207	33	52	46	358	650				
MTS 08 XT 111	111	6,2 bars	86	173	65	124	109	588	1000	187,9	54	2,3	
		5 bars	80	159	54	101	89	453	850				
		4 bars	71	143	45	80	71	336	650				
MTS 08 XT 132	132	6,2 bars	72	144	78	148	130	588	1000	187,9	54	2,3	
		5 bars	67	133	65	121	106	453	850				
		4 bars	60	119	54	96	84	336	650				

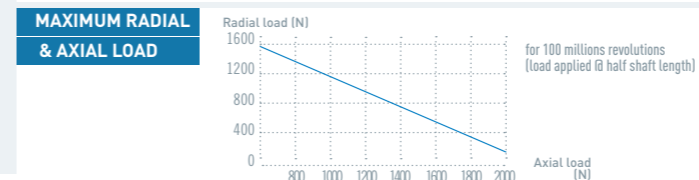
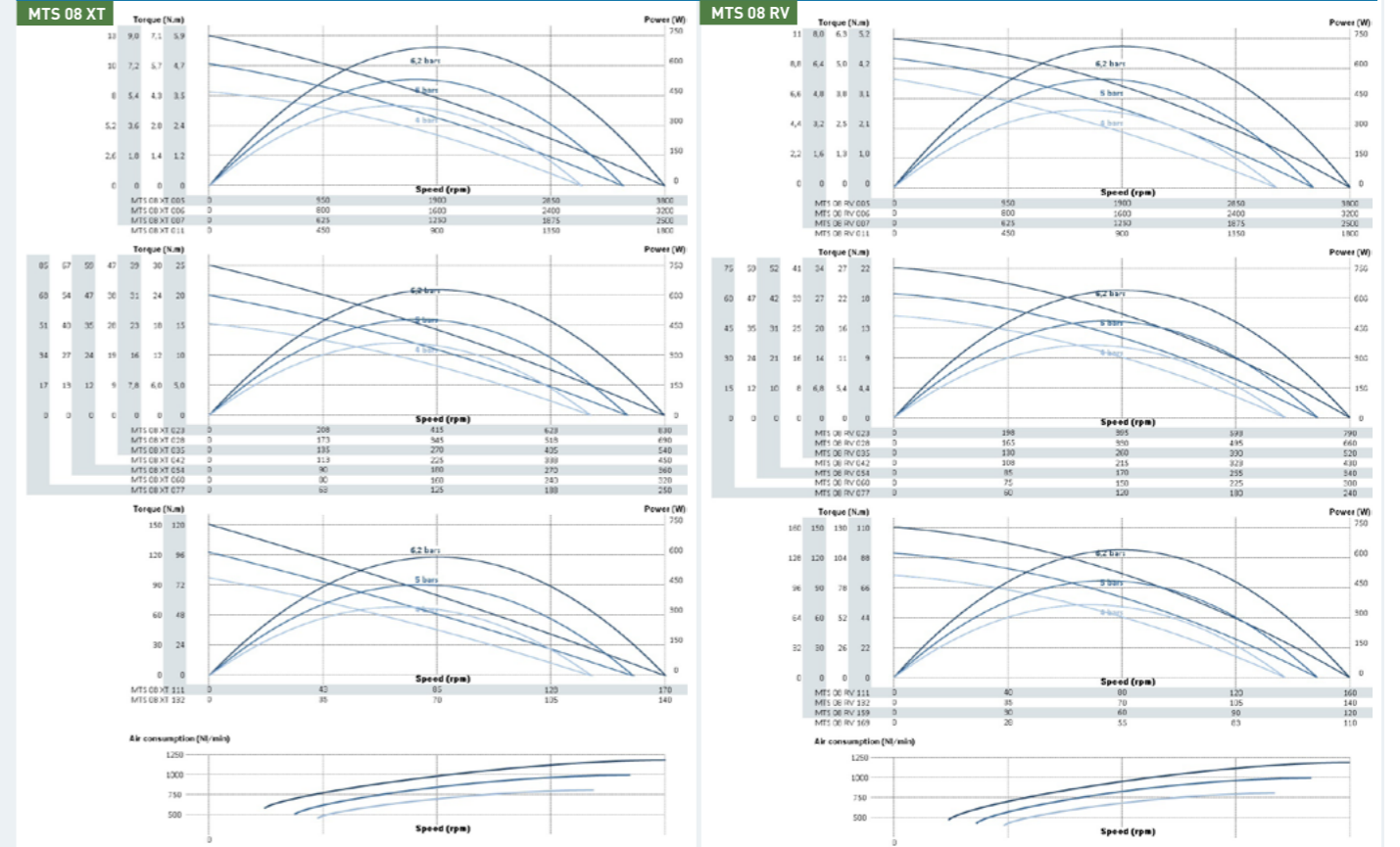
Data indicated in this table have an accuracy of +/- 5%

PERFORMANCES

MTS 08 RV	Air motor reference	Reduction ratio	Air supply pressure	Speed (rpm)		Torque (N.m)			Max Power (W)	Air cons (NL/min)	Dimensions		
				@ max Power	Free	@ max Power	Max (stall)	Starting torque			A (mm)	Ø (mm)	Weight (kg)
MTS 08 RV 005	5	6,2 bars	1908	3816	3,6	5,2	3,9	712	950	136,9	54	1,7	
		5 bars	1746	3492	3,0	4,6	3,4	543	750				
		4 bars	1590	3181	2,3	3,8	2,9	388	600				
MTS 08 RV 006	6	6,2 bars	1593	3186	4,3	6,3	4,7	712	950	136,9	54	1,7	
		5 bars	1458	2915	3,6	5,5	4,1	543	750				
		4 bars	1328	2655	2,8	4,6	3,5	388	600				
MTS 08 RV 007	7	6,2 bars	1250	2499	5,4	8,0	6,0	712	950	136,9	54	1,7	
		5 bars	1144	2287	4,5	7,0	5,3	543	750				
		4 bars	1041	2083	3,6	5,9	4,5	388	600				
MTS 08 RV 011	11	6,2 bars	872	1745	7,8	11	8,6	712	950	136,9	54	1,7	
		5 bars	798	1597	6,5	10	7,5	543	750				
		4 bars	727	1454	5,1	8,4	6,4	388	600				
MTS 08 RV 023	23	6,2 bars	394	788	15	22	21	636	950	163,9	54	2,0	
		5 bars	362	725	13	19	16	483	750				
		4 bars	334	668	10	15	14	366	600				
MTS 08 RV 028	28	6,2 bars	329	658	18	27	25	636	950	163,9	54	2,0	
		5 bars	303	605	15	22	20	483	750				
		4 bars	279	558	13	18	17	366	600				
MTS 08 RV 035	35	6,2 bars	258	516	24	34	32	636	950	163,9	54	2,0	
		5 bars	237	475	19	28	25	483	750				
		4 bars	219	438	16	23	21	366	600				
MTS 08 RV 042	42	6,2 bars	215	431	28	41	38	636	950	163,9	54	2,0	
		5 bars	198	396	23	34	30	483	750				
		4 bars	183	365	19	28	26	366	600				
MTS 08 RV 054	54	6,2 bars	169	338	36	52	48	636	950	163,9	54	2,0	
		5 bars	155	311	30	43	38	483	750				
		4 bars	143	286	24	36	33	366	600				
MTS 08 RV 060	60	6,2 bars	150	301	40	59	54	636	950	163,9	54	2,0	
		5 bars	138	277	33	49	43	483	750				
		4 bars	127	255	27	40	37	366	600				
MTS 08 RV 077	77	6,2 bars	118	236	52	75	69	636	950	163,9	54	2,0	
		5 bars	109	217	43	62	55	483	750				
		4 bars	100	200	35	51	47	366	600				
MTS 08 RV 111	111	6,2 bars	82	164	74	108	99	636	950	187,9	54	2,3	
		5 bars	76	151	61	89	79	483	750				
		4 bars	70	139	50	73	68	366	600				
MTS 08 RV 132	132	6,2 bars	69	137	89	129	119	636	950	187,9	54	2,3	
		5 bars	63	126	73	107	95	483	750				
		4 bars	58	116	60	88	81	366	600				
MTS 08 RV 159	159	6,2 bars	57	114	106	155	142	636	950	187,9	54	2,3	
		5 bars	53	105	88	128	113	483	750				
		4 bars	48	97	72	105	97	366	600				
MTS 08 RV 169	169	6,2 bars	54	108	113	165	151	636	950	187,9	54	2,3	
		5 bars	49	99	93	136	121	483	750				
		4 bars	46	91	77	112	103	366	600				

Data indicated in this table have an accuracy of +/- 5%

POWER, SPEED, TORQUE AND AIR CONSUMPTION GRAPHS

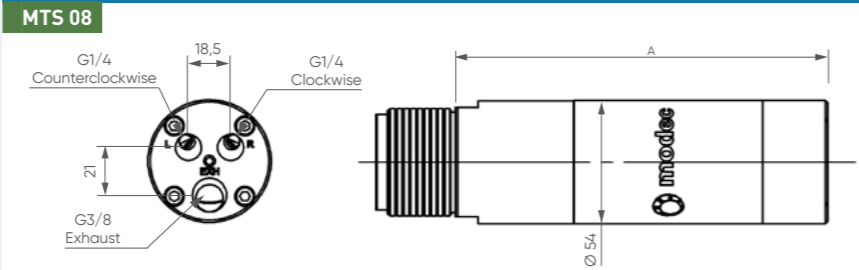


OPTIONS AVAILABLE FOR THIS MOTOR

Collected exhaust	<input type="checkbox"/>	<input type="checkbox"/>	<input type="checkbox"/>	<input type="checkbox"/>	<input type="checkbox"/>	<input type="checkbox"/>	<input type="checkbox"/>	<input type="checkbox"/>	<input type="checkbox"/>	<input type="checkbox"/>		
ATEX certification	<input type="checkbox"/>	<input type="checkbox"/>	<input type="checkbox"/>	<input type="checkbox"/>	<input type="checkbox"/>	<input type="checkbox"/>	<input type="checkbox"/>	<input type="checkbox"/>	<input type="checkbox"/>	<input type="checkbox"/>		
Left/Right switch*	<input type="checkbox"/>	<input type="checkbox"/>	<input type="checkbox"/>	<input type="checkbox"/>	<input type="checkbox"/>	<input type="checkbox"/>	<input type="checkbox"/>	<input type="checkbox"/>	<input type="checkbox"/>	<input type="checkbox"/>		
Lubrication free	<input type="checkbox"/>	<input type="checkbox"/>	<input type="checkbox"/>	<input type="checkbox"/>	<input type="checkbox"/>	<input type="checkbox"/>	<input type="checkbox"/>	<input type="checkbox"/>	<input type="checkbox"/>	<input type="checkbox"/>		
Kit start	<input type="checkbox"/>	<input type="checkbox"/>	<input type="checkbox"/>	<input type="checkbox"/>	<input type="checkbox"/>	<input type="checkbox"/>	<input type="checkbox"/>	<input type="checkbox"/>	<input type="checkbox"/>	<input type="checkbox"/>		
Code	01	03	07	09	10	12	16	17	21	22	29	30

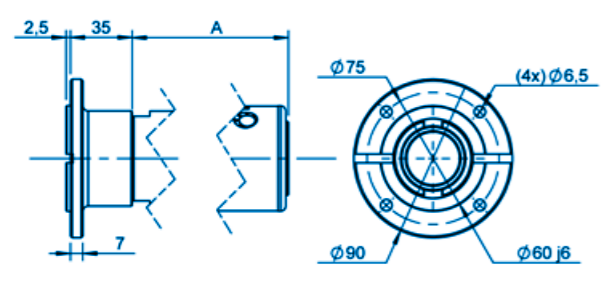
* Reversible motors only

LAYOUT

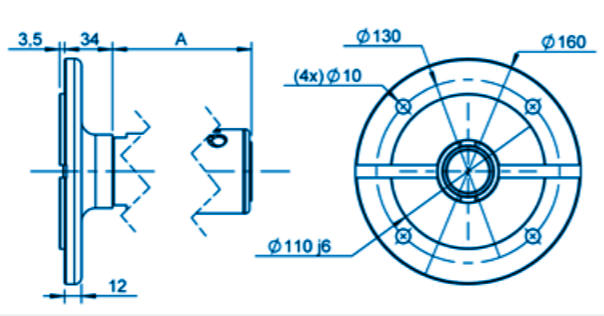


FLANGES **GROUP IV** (1/3) XTH 05 XTH 07 XTS 08 XTH 08 XTS 10 XTH 10 XTS 20 XTS 25

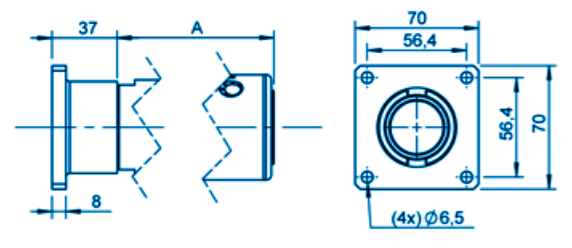
GROUP IV FLANGE AB - IEC63B14



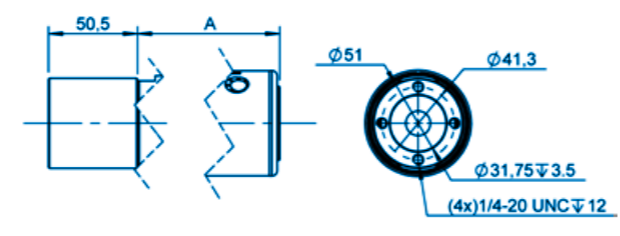
GROUP IV FLANGE AC - IEC71B5



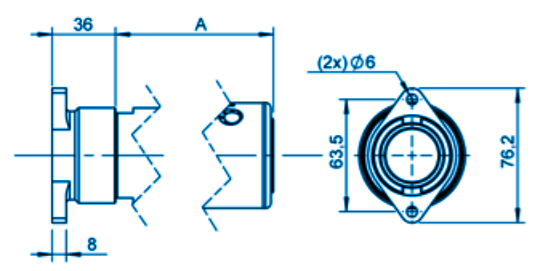
GROUP IV FLANGE AF



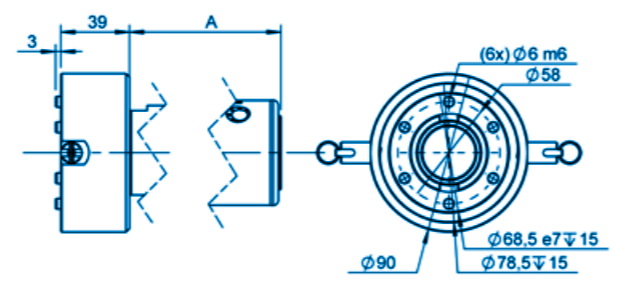
GROUP IV FLANGE AH



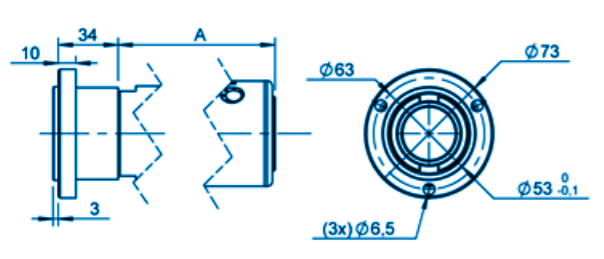
GROUP IV FLANGE AS



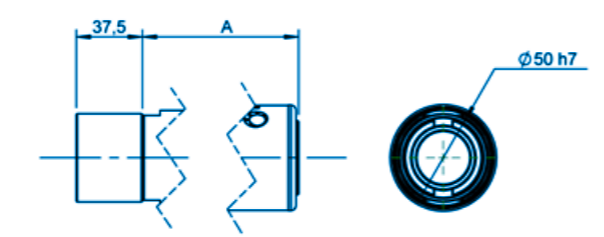
GROUP IV FLANGE AX - ARP



GROUP IV FLANGE B

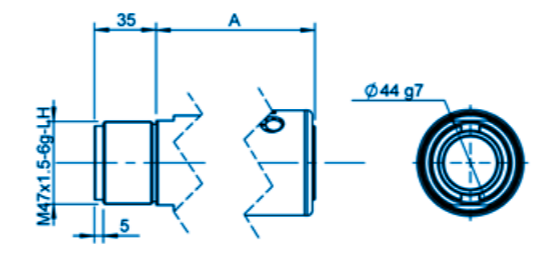


GROUP IV FLANGE B0

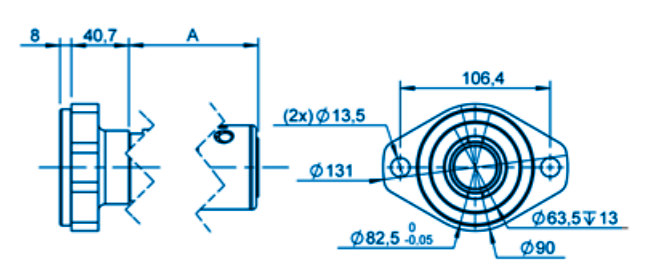


FLANGES **GROUP IV** (2/3) XTH 05 XTH 07 XTS 08 XTH 08 XTS 10 XTH 10 XTS 20 XTS 25

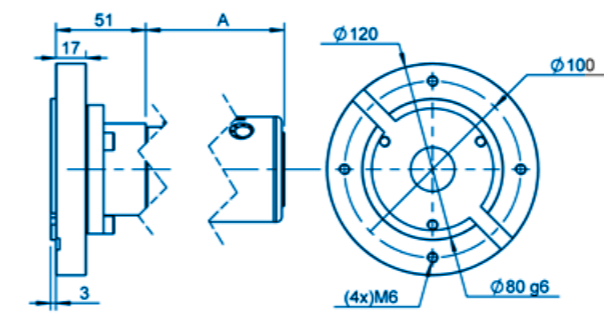
GROUP IV FLANGE F



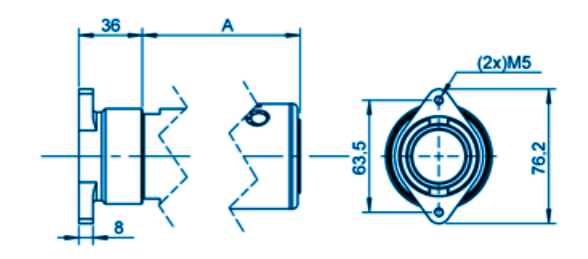
GROUP IV FLANGE FH



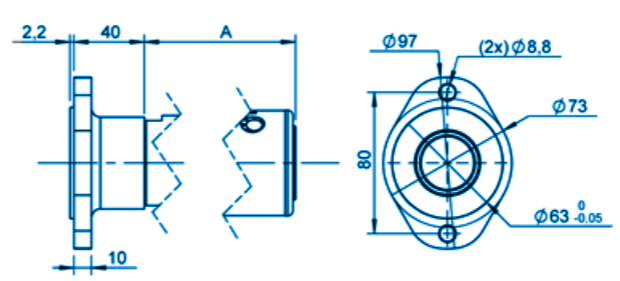
GROUP IV FLANGE FJ - IEC80B14



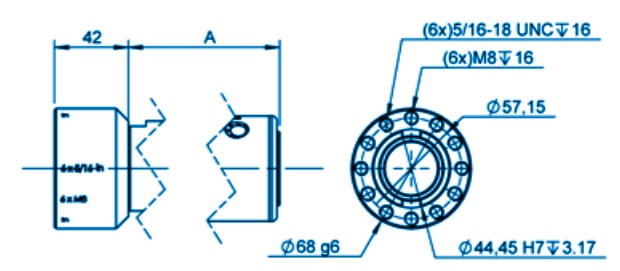
GROUP IV FLANGE J



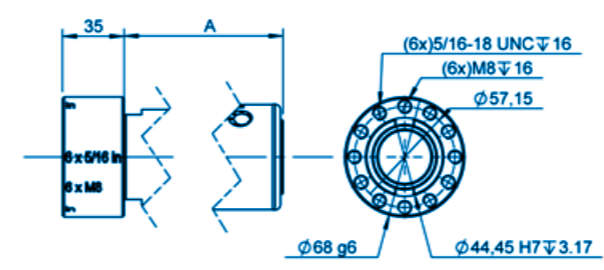
GROUP IV FLANGE L



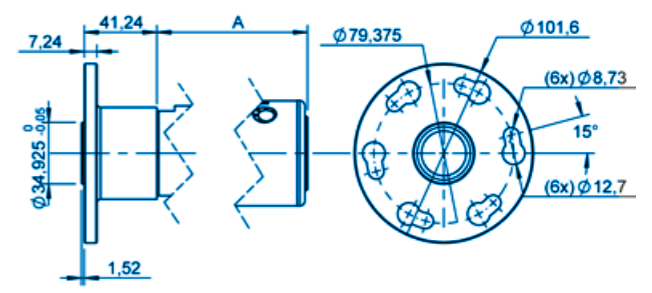
GROUP IV FLANGE M



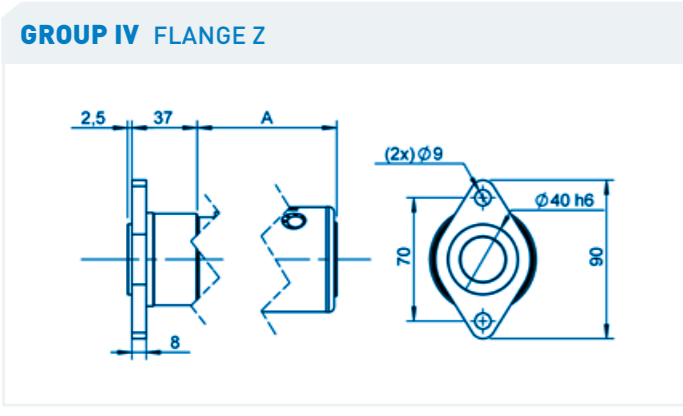
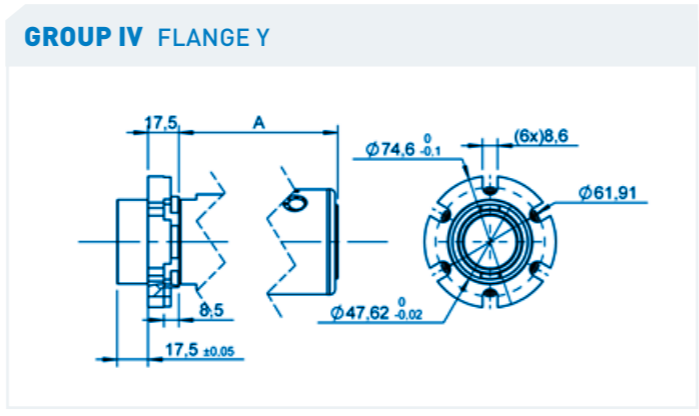
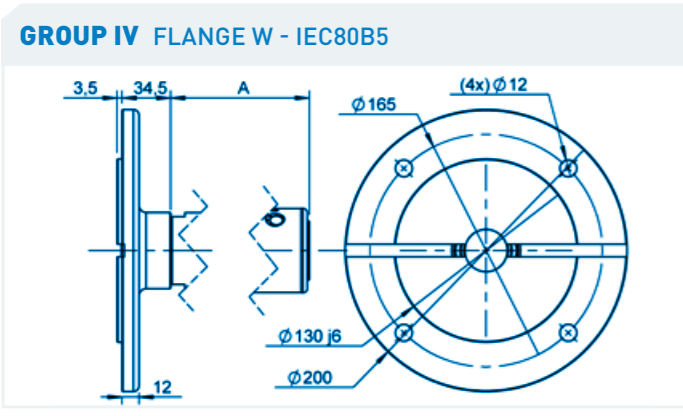
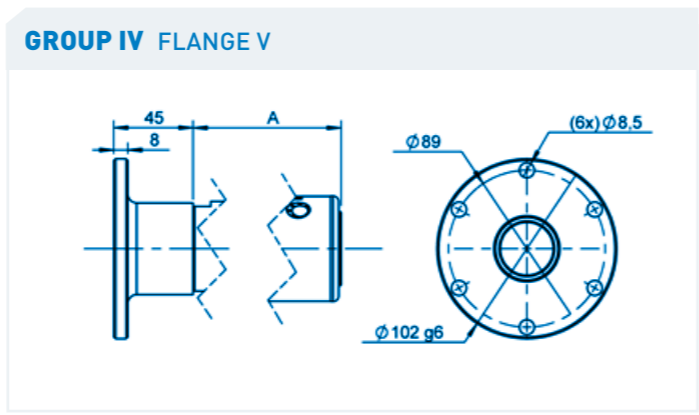
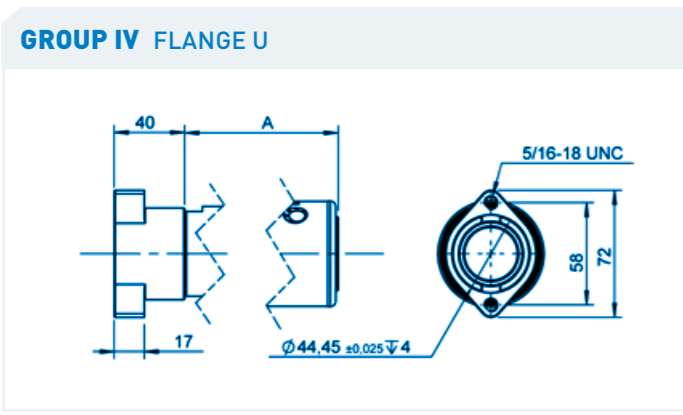
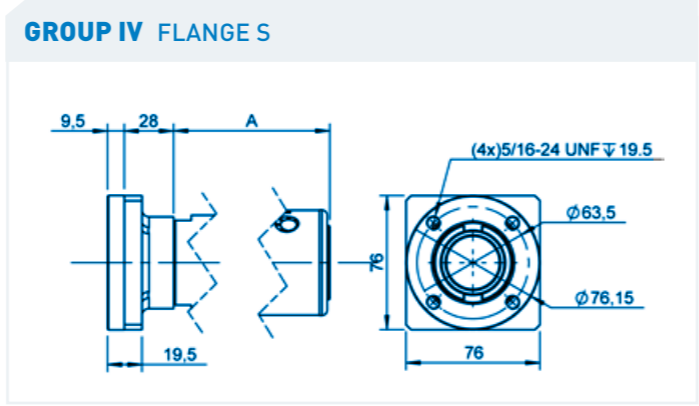
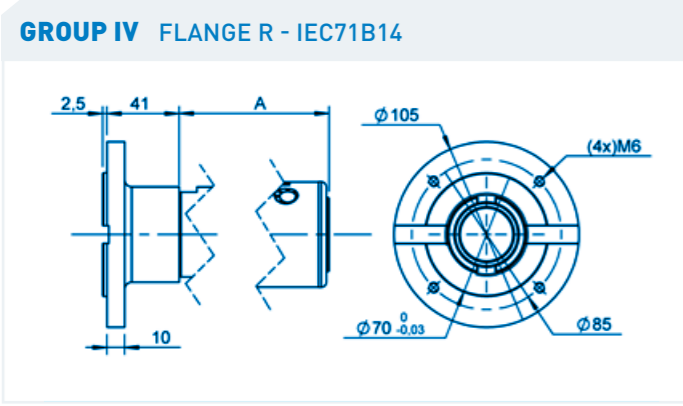
GROUP IV FLANGE N



GROUP IV FLANGE Q

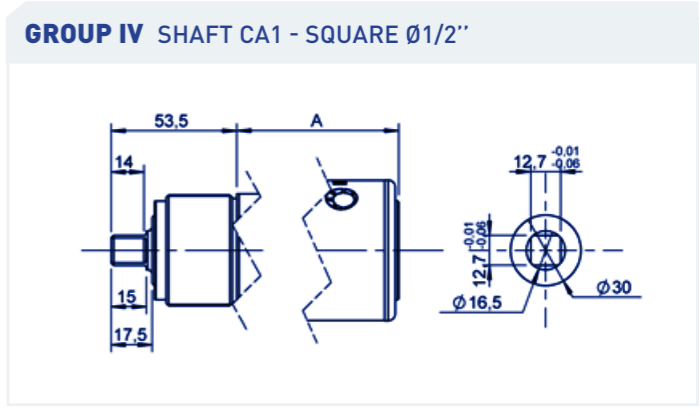
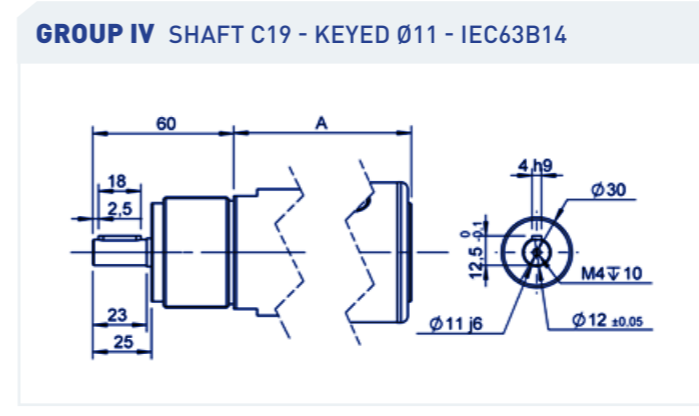
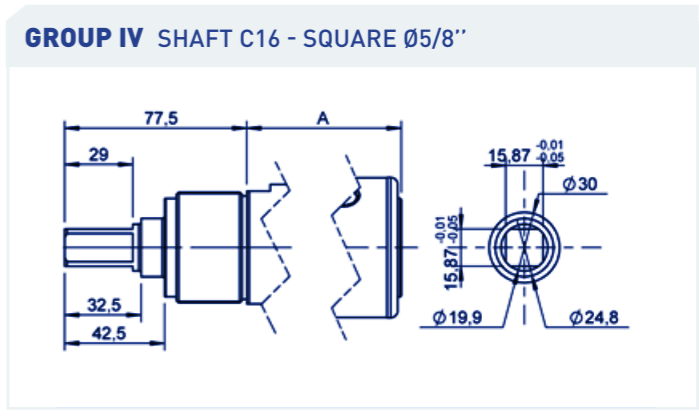
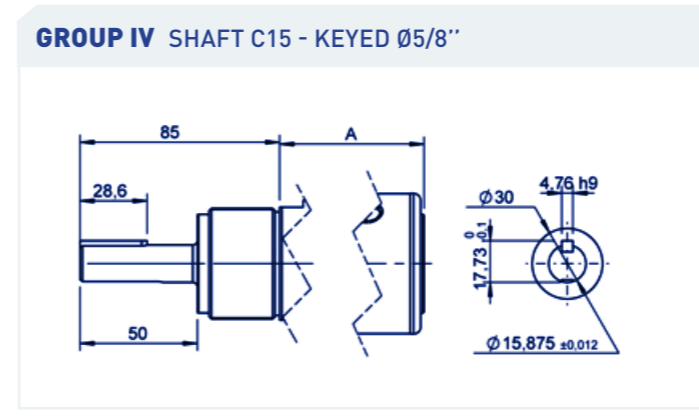
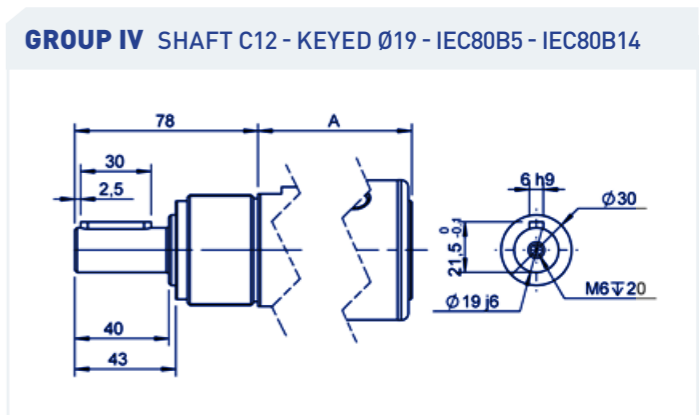
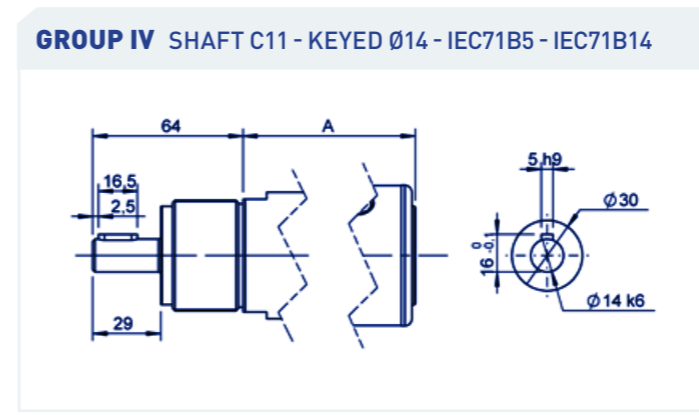
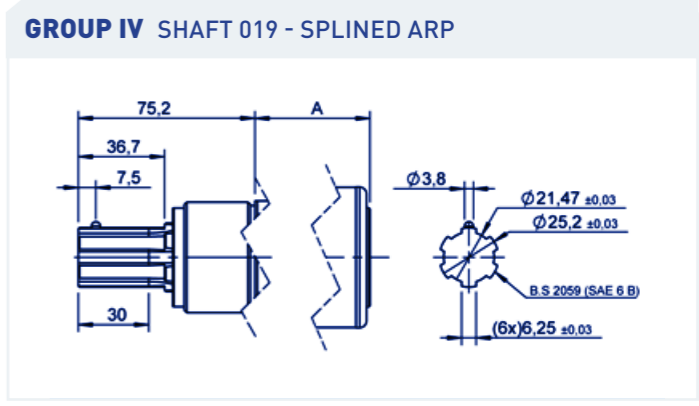
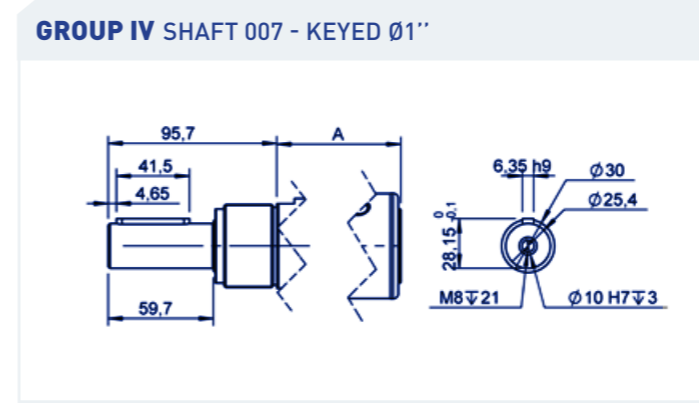


FLANGES **GROUP IV** (3/3) XTH 05 XTH 07 XTS 08 XTH 08 XTS 10 XTH 10 XTS 20 XTS 25



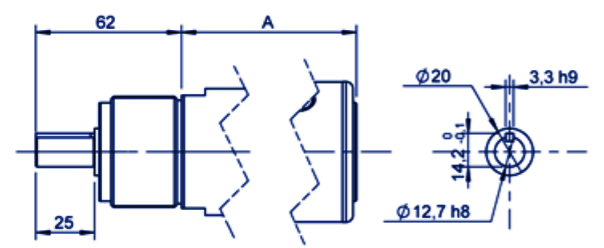
You didn't find your match ?
Contact us !

SHAFTS **GROUP IV** (1/3) XTH 05 XTH 07 XTS 08 XTH 08 XTS 10 XTH 10 XTS 20 XTS 25

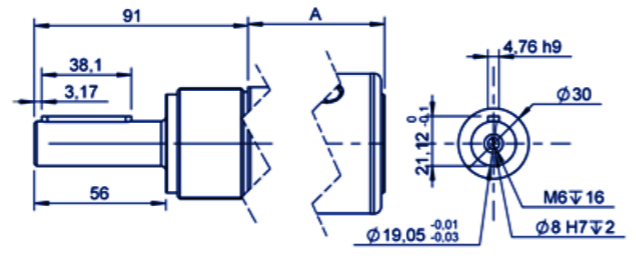


SHAFTS **GROUP IV** (2/3) XTH 05 XTH 07 XTS 08 XTH 08 XTS 10 XTH 10 XTS 20 XTS 25

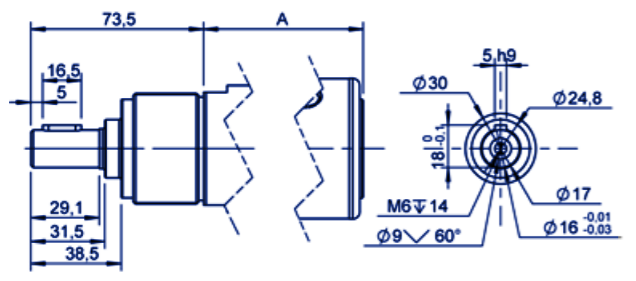
GROUP IV SHAFT CL1 - KEYED Ø1/2"



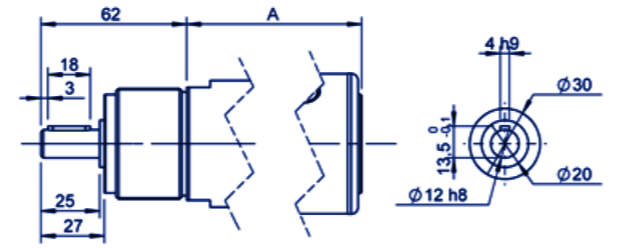
GROUP IV SHAFT CL2 - KEYED Ø3/4"



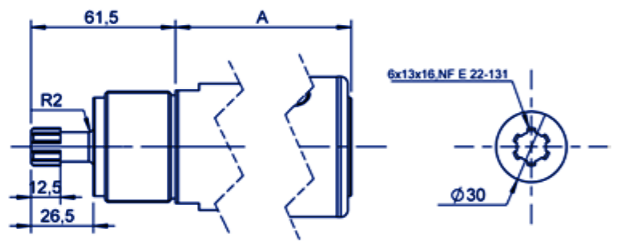
GROUP IV SHAFT CL6 - KEYED Ø16



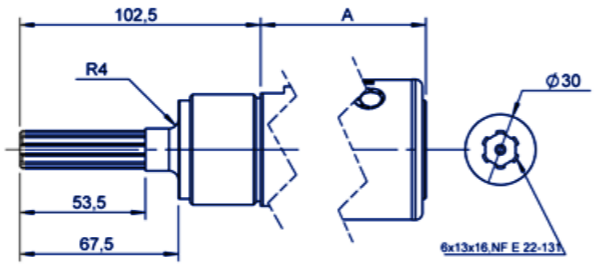
GROUP IV SHAFT CL9 - KEYED Ø12



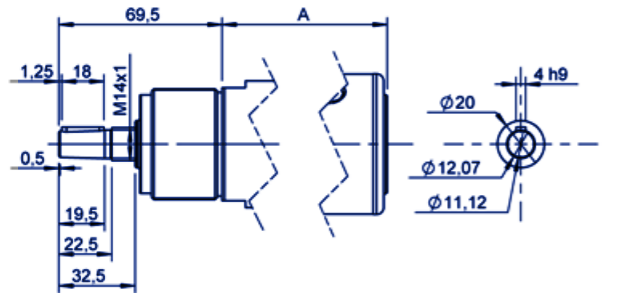
GROUP IV SHAFT CNC - SPLINED SHORT



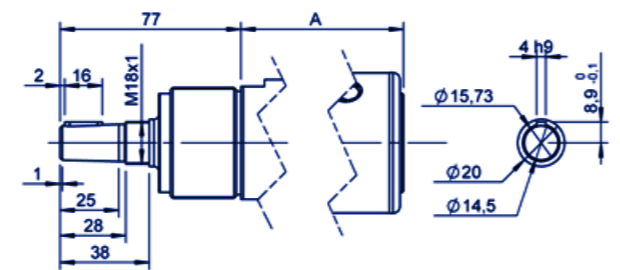
GROUP IV SHAFT CNL - SPLINED LONG



GROUP IV SHAFT CONICAL B12

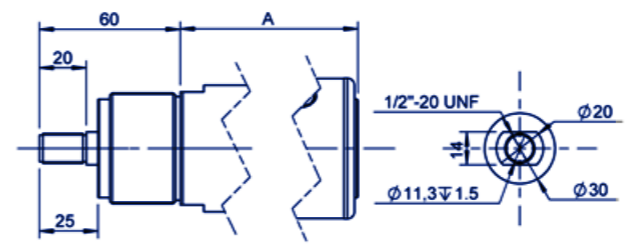


GROUP IV SHAFT CONICAL B16



SHAFTS **GROUP IV** (3/3) XTH 05 XTH 07 XTS 08 XTH 08 XTS 10 XTH 10 XTS 20 XTS 25

GROUP IV SHAFT FI1 - THREADED Ø1/2"



You didn't find your match ?
Contact us !