



MAX POWER
1300 W
MAX TORQUE
1000 Nm

Powerful and compact, "10" series air motors can develop more than 1200 W and weigh only 2kg for a 60 mm diameter and a total length that can be as short as 155 mm. This makes it one of the highest power-to-weight ratio air motor on the market.

Available in 4 families (Easy, Standard, Heavy and Super heavy duty) with several types of gearboxes and right angle heads, it can develop up to 1000 Nm torque.

The wide variety of flanges and shafts allows the "10" range air motors to be easily fitted to any machine for a wide range of applications.



+ ACCESSORIES FOR THIS MOTOR	Reference
Filtration, pressure Regulation and Lubrication unit (FRL)	AC107
Safety Air Treatment Box (SAT Box)	AC118
With Pedal remote control	AC119
With handle remote control	AC120
With remote emergency kill switch	AC125
With remote E-Stop and pedal remote control	AC121
With remote E-Stop and handle remote control	AC122
Maintenance kits	
Maintenance kit for "10 XT" series	AC303
Maintenance kit for "10 RV" series	AC308
Maintenance kit for lube free "10 XT" series	AC313
Maintenance kit for lube free "10 RV" series	AC318
Maintenance kit for kit start "10 XT" series	AC323
Maintenance kit for kit start "10 RV" series	AC328
Exhaust collector kit for "10" series	AC340
modec Oil Co-16	AC149
Control handles	
Safety control handle for non reversible "10" series	AC406
Safety control handle for reversible "10" series	AC404
Progressive control handle for non reversible "10" series	AC400
Progressive control handle for reversible "10" series	AC408
Filters and silencers	
Metallic standard silencer	AC182
Metallic standard inlet silencer (RV)	AC181
Plastic standard silencer	AC152
Plastic standard inlet silencer (RV)	AC183
Heavy duty silencer	AC156
Heavy duty inlet silencer (RV)	AC155
High flow air muffler	AC158
Exhaust silencer filter	AC165
Speed control muffler	AC174

CONNECTION AND LUBRICATION

Min. fittings Ø	Min. pipe Ø		Lubrication [6,2 bars]
	In	Out	
10 mm / 0,4 In	16 mm / 0,6 In	13 mm / 0,5 In 20 mm / 0,8 In	6 drops / minute

CONVERSION TABLE

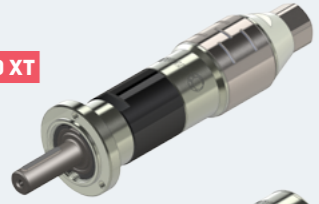
Watt ▶ Horse power	Newton meter ▶ Pound feet	Millimeter ▶ Inch
Watt x 0,001341 = hp	Nm x 0,7376 = lb.ft	mm x 0,03937 = in
Bar ▶ Pound per square Inch	Normo Liter / minute ▶ Standard cubic feet per minute	Kilogram ▶ Pound
Bar x 14,5 = psi	NL / min x 0,03531 = scfm	Kg x 2,205 = lb



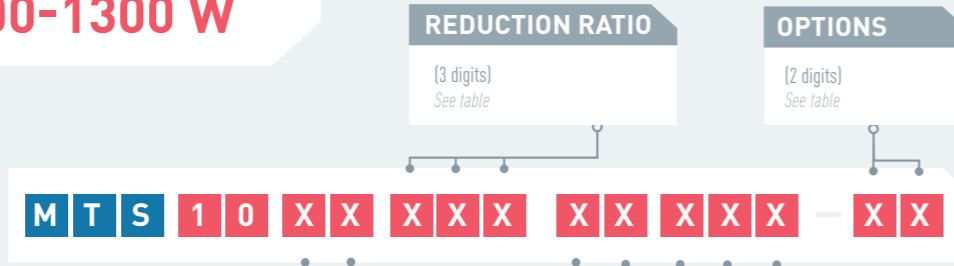
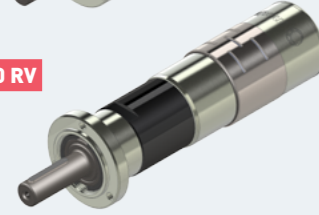
MOTOR MTS 10

POWER 1100-1300 W

MTS 10 XT



MTS 10 RV



* rotation direction is defined when looking from the back of the motor

PERFORMANCES

Air motor reference	Reduction ratio	Air supply pressure	Speed (rpm)		Torque (N.m)			Max Power (W)	Air cons (NI/min)	Dimensions		
			@ max Power	Free	@ max Power	Max (stall)	Starting torque			A (mm)	Ø (mm)	Weight (kg)
MTS 10 XT	5	6,2 bars	1613	3227	6,5	9,8	8,1	1106	1600	166	60,3	2,0
		5 bars	1521	3042	5,2	8,2	6,7	834	1200			
		4 bars	1433	2866	3,9	6,5	5,4	590	1000			
	6	6,2 bars	1347	2694	7,8	12	9,6	1106	1600	166	60,3	2,0
		5 bars	1270	2539	6,3	9,8	8,0	834	1200			
		4 bars	1196	2393	4,7	7,8	6,4	590	1000			
	7	6,2 bars	1057	2113	10	15	12	1106	1600	166	60,3	2,0
		5 bars	996	1992	8,0	12	10	834	1200			
		4 bars	939	1877	6,0	10	8,2	590	1000			
	11	6,2 bars	738	1475	14	21	18	1106	1600	166	60,3	2,0
		5 bars	695	1390	11	18	15	834	1200			
		4 bars	655	1310	8,6	14	12	590	1000			
23	6,2 bars	336	672	31	47	39	1106	1600	193	60,3	2,3	
	5 bars	317	634	25	39	32	834	1200				
	4 bars	299	597	19	31	26	590	1000				
28	6,2 bars	281	561	38	56	46	1106	1600	193	60,3	2,3	
	5 bars	264	529	30	47	38	834	1200				
	4 bars	249	498	23	38	31	590	1000				
35	6,2 bars	220	440	48	72	59	1106	1600	193	60,3	2,3	
	5 bars	207	415	38	60	49	834	1200				
	4 bars	196	391	29	48	39	590	1000				
42	6,2 bars	184	367	58	86	71	1106	1600	193	60,3	2,3	
	5 bars	173	346	46	72	59	834	1200				
	4 bars	163	326	35	58	47	590	1000				
54	6,2 bars	144	288	73	110	90	1106	1600	193	60,3	2,3	
	5 bars	136	272	59	91	75	834	1200				
	4 bars	128	256	44	73	60	590	1000				
77	6,2 bars	101	201	105	158	129	1106	1600	193	60,3	2,3	
	5 bars	95	190	84	131	107	834	1200				
	4 bars	89	179	63	105	86	590	1000				
MTS 10 RV	5	6,2 bars	1721	3442	7,2	10	9,2	1298	1600	156,5	60,3	2,1
		5 bars	1617	3234	5,8	8,5	7,5	975	1300			
		4 bars	1520	3040	4,4	6,5	5,8	695	1000			
	6	6,2 bars	1437	2873	8,6	13	11	1298	1600	156,5	60,3	2,1
		5 bars	1350	2700	6,9	10	9,0	975	1300			
		4 bars	1269	2538	5,2	7,8	6,9	695	1000			
	7	6,2 bars	1127	2254	11	16	14	1298	1600	156,5	60,3	2,1
		5 bars	1059	2118	8,8	13	11	975	1300			
		4 bars	996	1991	6,7	10	8,8	695	1000			
	11	6,2 bars	787	1574	16	23	20	1298	1600	156,5	60,3	2,1
		5 bars	739	1479	13	19	16	975	1300			
		4 bars	695	1390	9,6	14	13	695	1000			
23	6,2 bars	359	717	35	50	44	1298	1600	183,5	60,3	2,4	
	5 bars	337	674	28	41	36	975	1300				
	4 bars	317	633	21	31	28	695	1000				
28	6,2 bars	299	599	41	60	53	1298	1600	183,5	60,3	2,4	
	5 bars	281	562	33	49	43	975	1300				
	4 bars	264	529	25	38	33	695	1000				
35	6,2 bars	235	470	53	77	68	1298	1600	183,5	60,3	2,4	
	5 bars	221	441	42	62	55	975	1300				
	4 bars	207	415	32	48	42	695	1000				
42	6,2 bars	196	392	63	92	81	1298	1600	183,5	60,3	2,4	
	5 bars	184	368	51	75	66	975	1300				
	4 bars	173	346	38	58	51	695	1000				
54	6,2 bars	154	308	81	117	103	1298	1600	183,5	60,3	2,4	
	5 bars	144	289	64	95	84	975	1300				
	4 bars	136	272	49	73	65	695	1000				
77	6,2 bars	107	215	116	168	148	1298	1600	183,5	60,3	2,4	
	5 bars	101	202	92	137	120	975	1300				
	4 bars	95	190	70	105	92	695	1000				

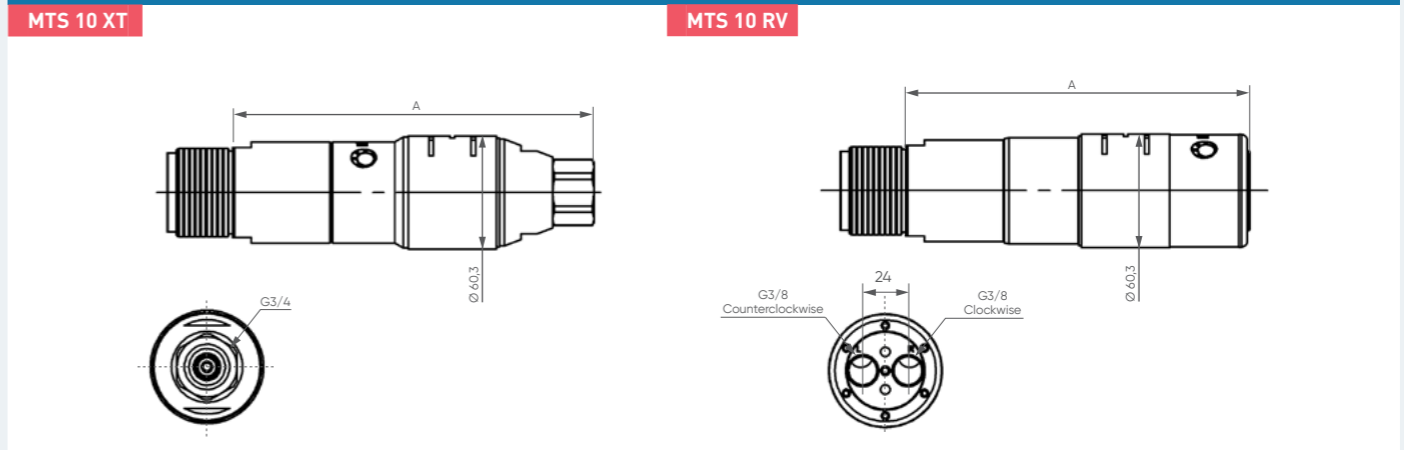
Data indicated in this table have an accuracy of +/- 5%

OPTIONS AVAILABLE FOR THIS MOTOR

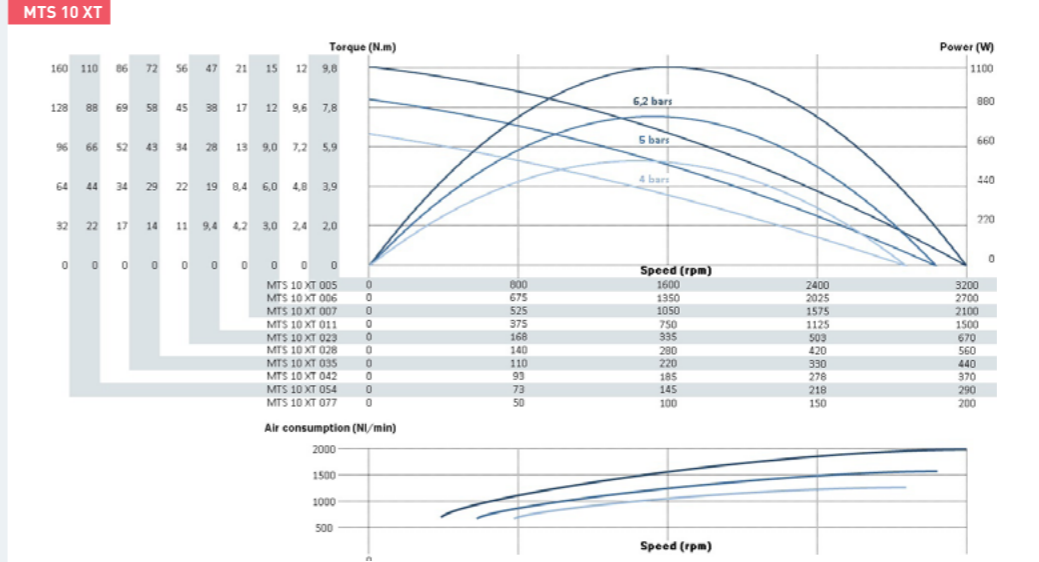
Collected exhaust	00	01	02	03	04	05	06	07	09	10	12	13	14	15	16	17	18	19	21	22	29	30	31	32
ATEX certification																								
Left/Right switch*																								
Lubrication free																								
Kit start																								
Speed control**																								

* Reversible motors only ** Non reversible motors only

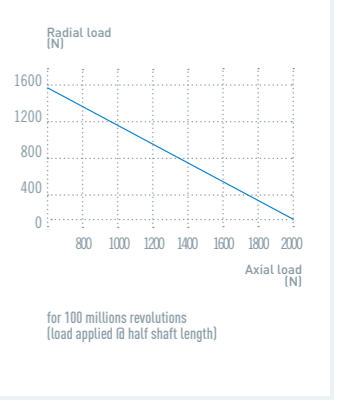
LAYOUT



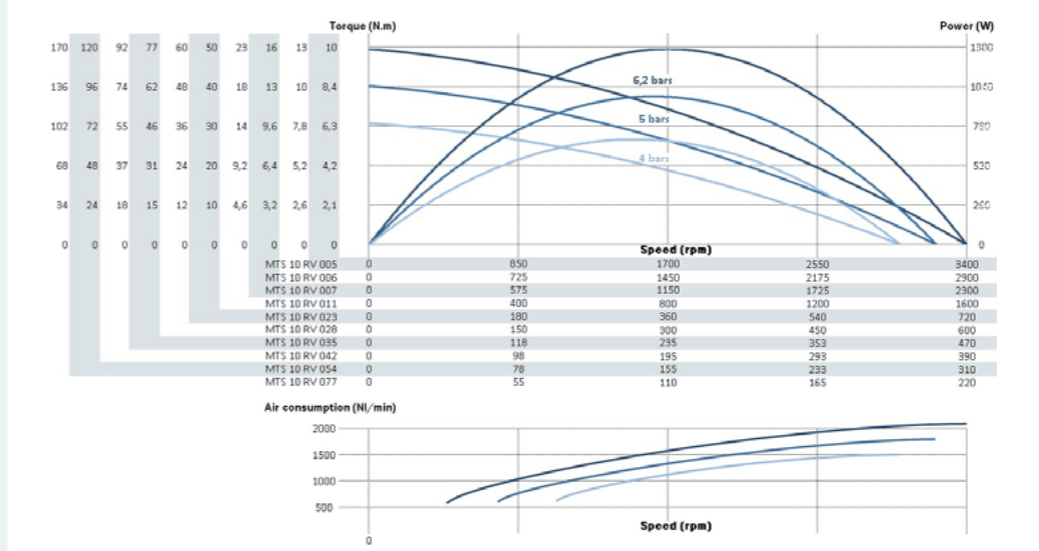
POWER, SPEED, TORQUE AND AIR CONSUMPTION GRAPHS



MAXIMUM RADIAL & AXIAL LOAD



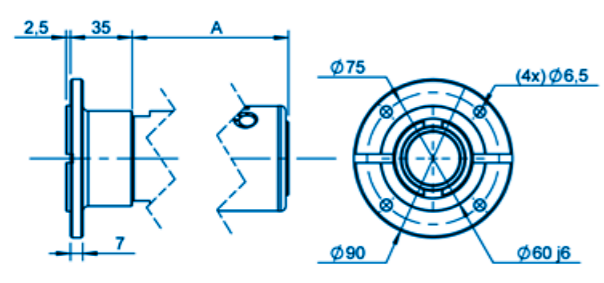
MTS 10 RV



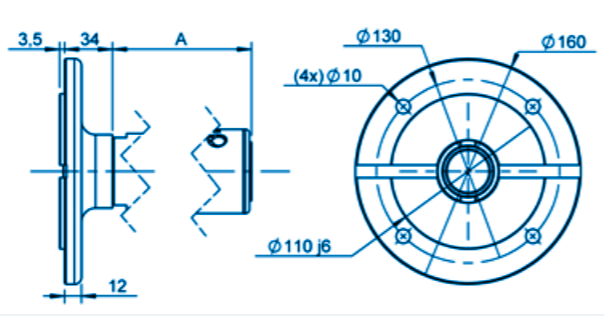
NOTES

FLANGES **GROUP IV** (1/3) XTH 05 XTH 07 XTS 08 XTH 08 XTS 10 XTH 10 XTS 20 XTS 25

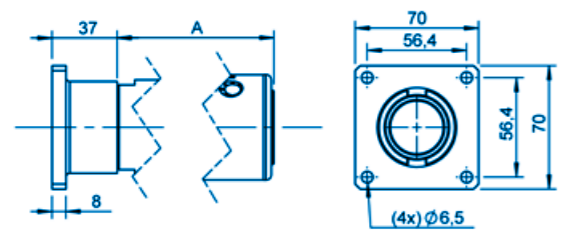
GROUP IV FLANGE AB - IEC63B14



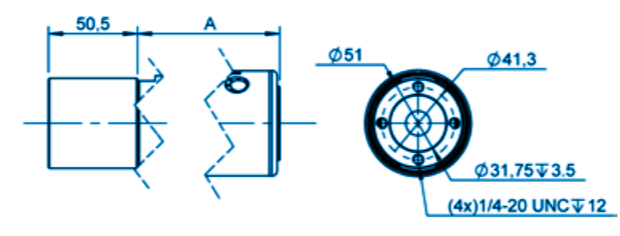
GROUP IV FLANGE AC - IEC71B5



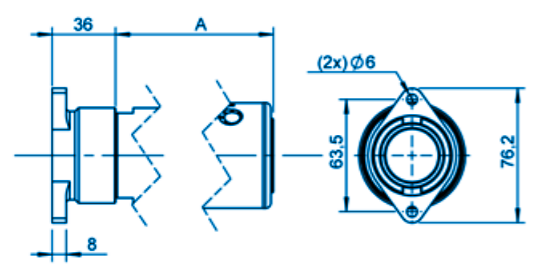
GROUP IV FLANGE AF



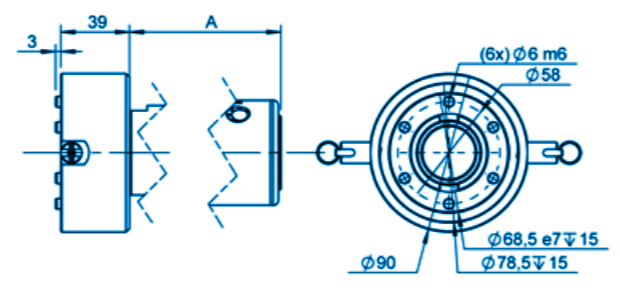
GROUP IV FLANGE AH



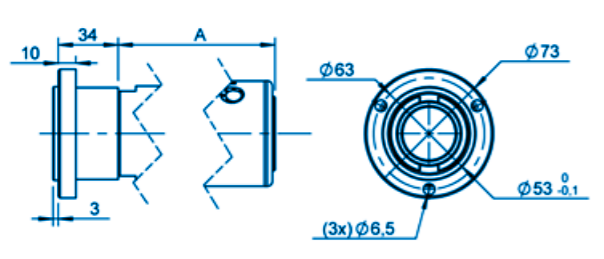
GROUP IV FLANGE AS



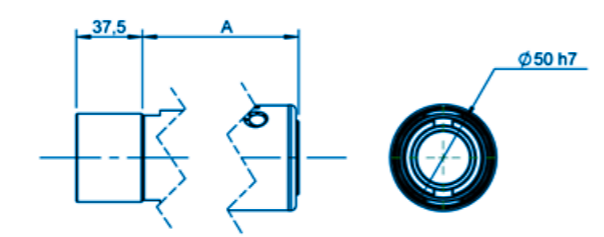
GROUP IV FLANGE AX - ARP



GROUP IV FLANGE B

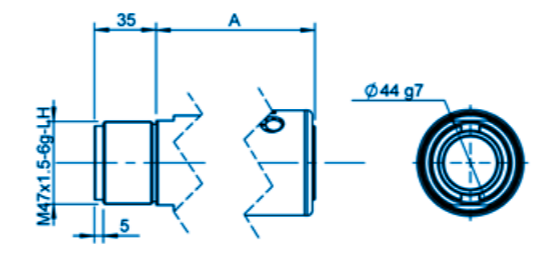


GROUP IV FLANGE B0

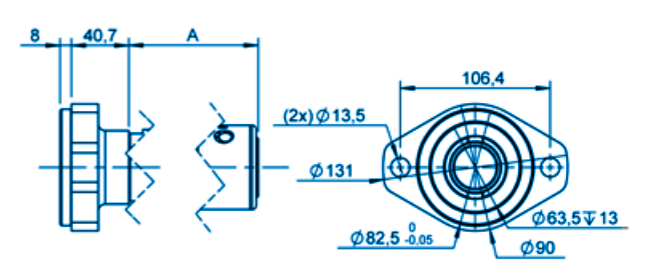


FLANGES **GROUP IV** (2/3) XTH 05 XTH 07 XTS 08 XTH 08 XTS 10 XTH 10 XTS 20 XTS 25

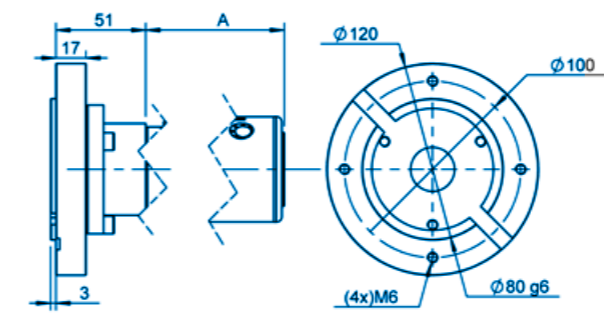
GROUP IV FLANGE F



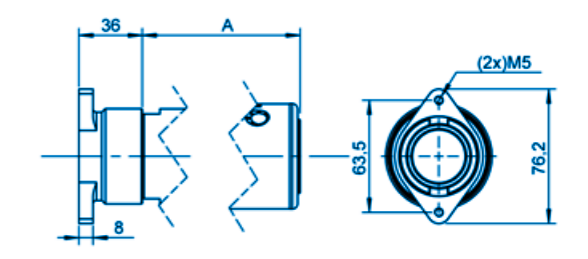
GROUP IV FLANGE FH



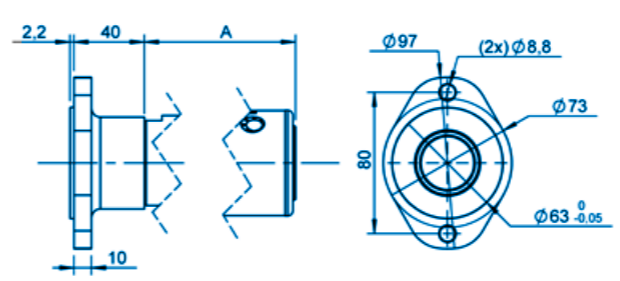
GROUP IV FLANGE FJ - IEC80B14



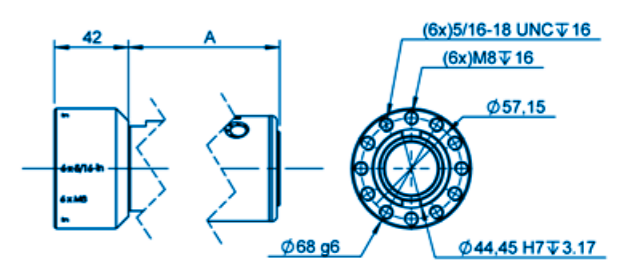
GROUP IV FLANGE J



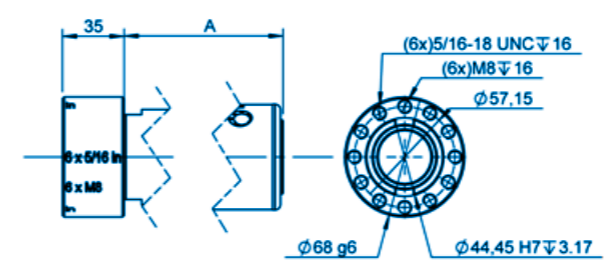
GROUP IV FLANGE L



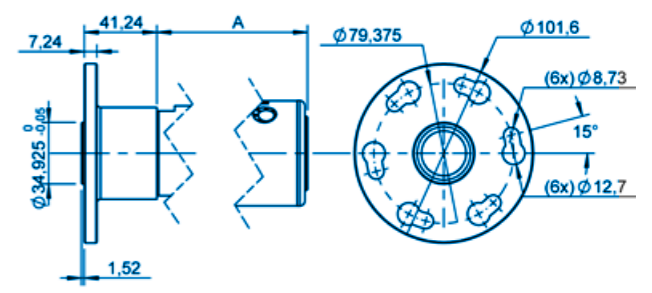
GROUP IV FLANGE M



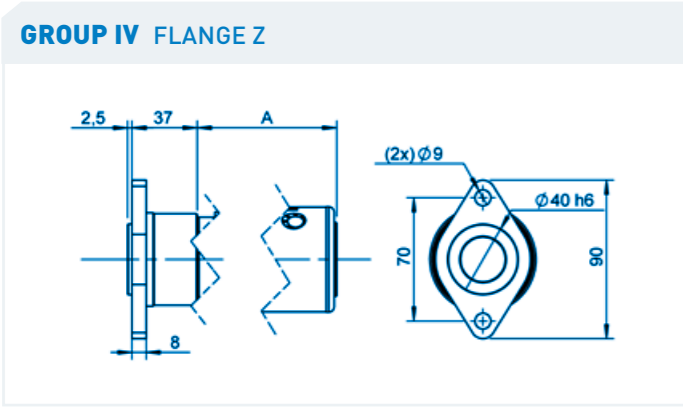
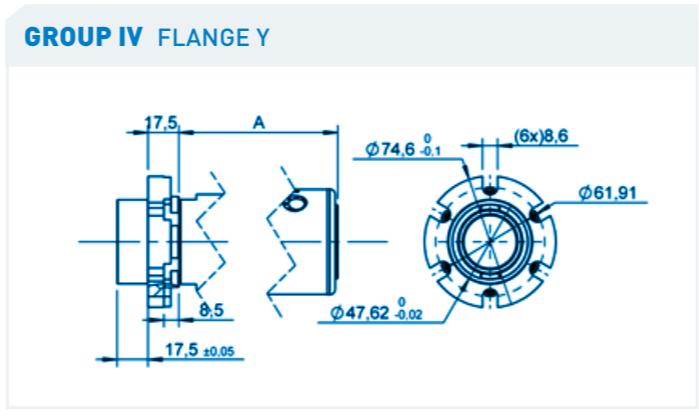
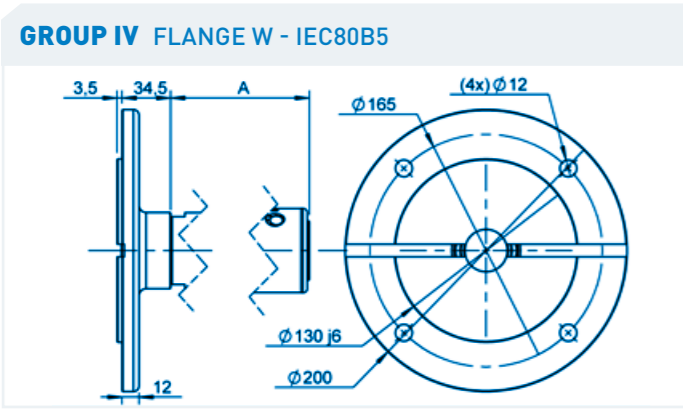
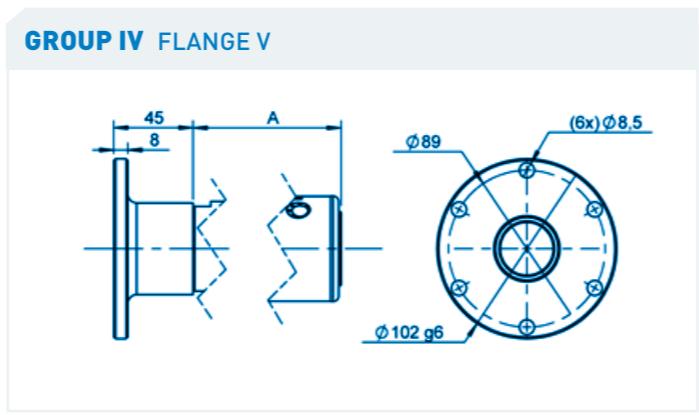
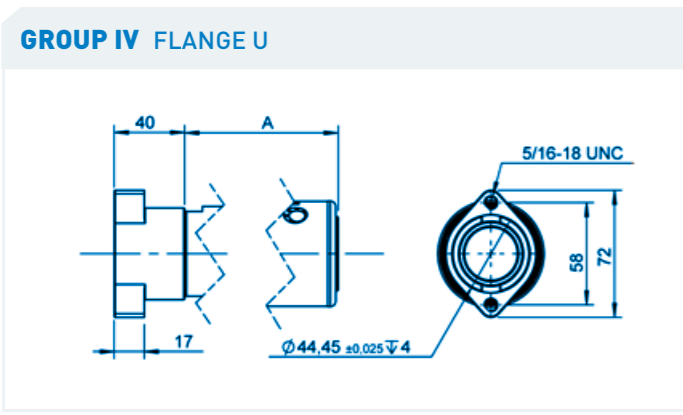
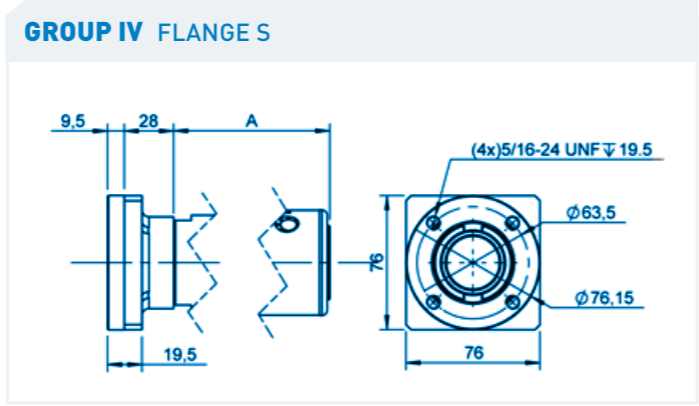
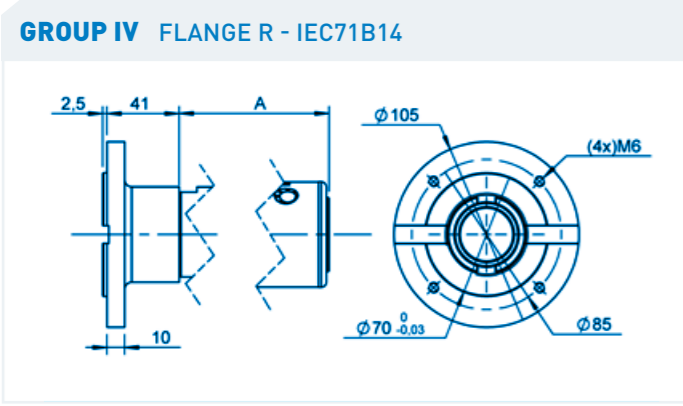
GROUP IV FLANGE N



GROUP IV FLANGE Q

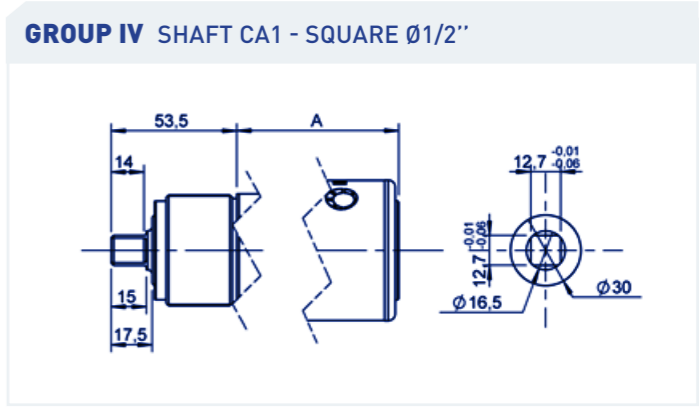
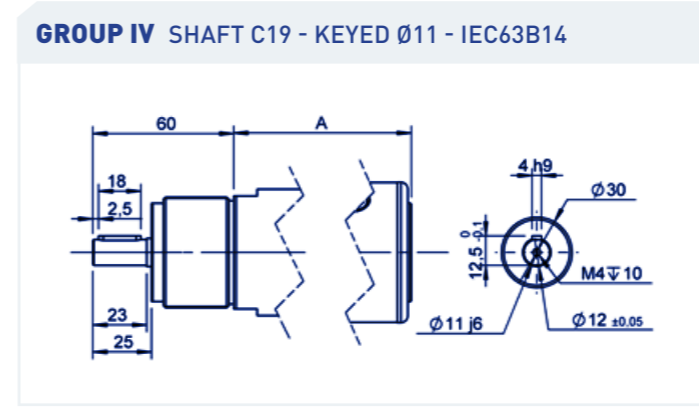
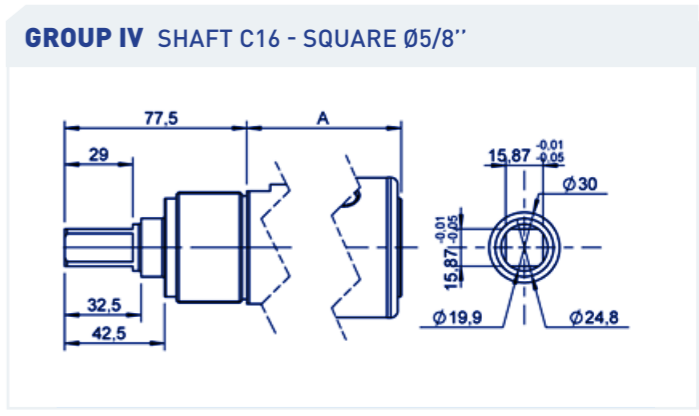
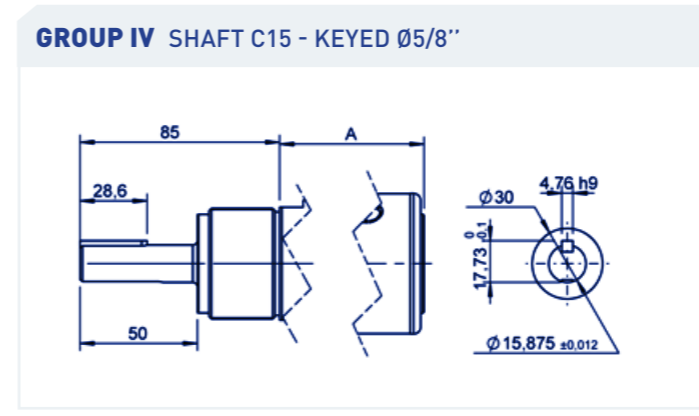
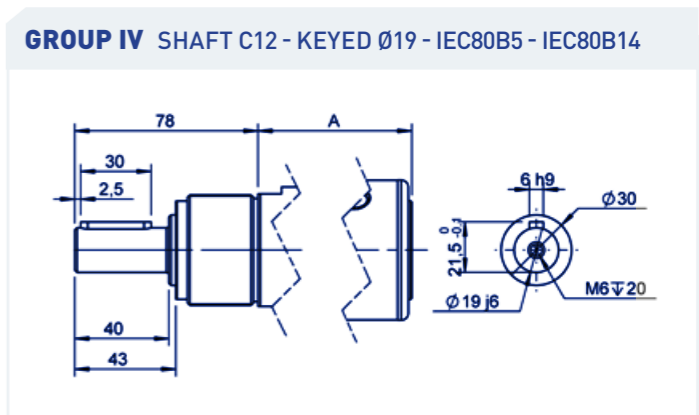
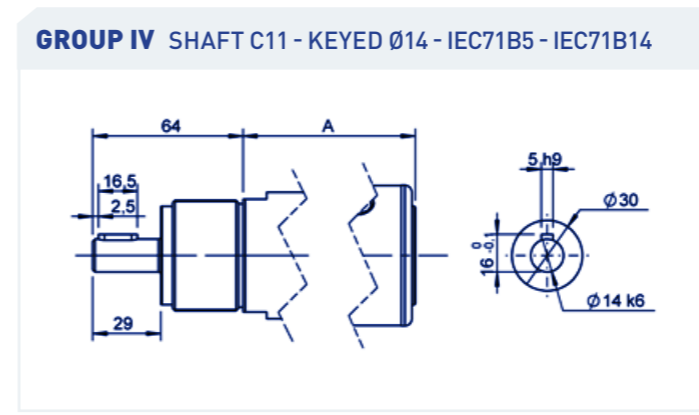
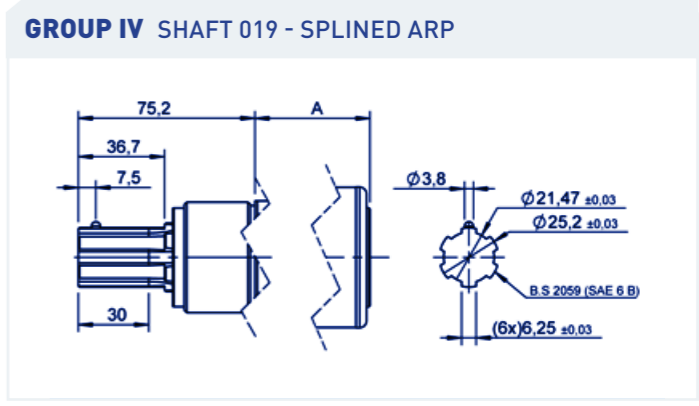
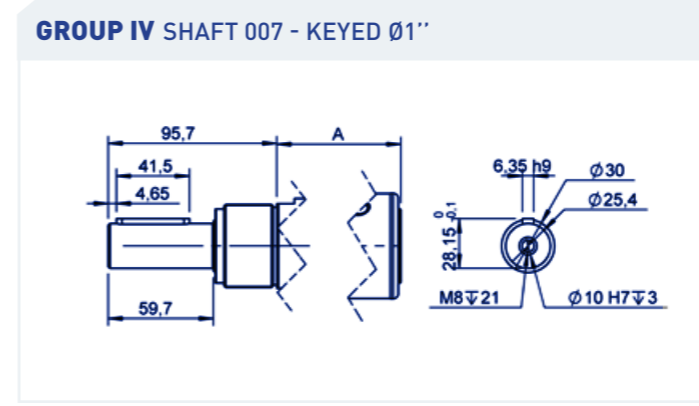


FLANGES **GROUP IV** (3/3) XTH 05 XTH 07 XTS 08 XTH 08 XTS 10 XTH 10 XTS 20 XTS 25



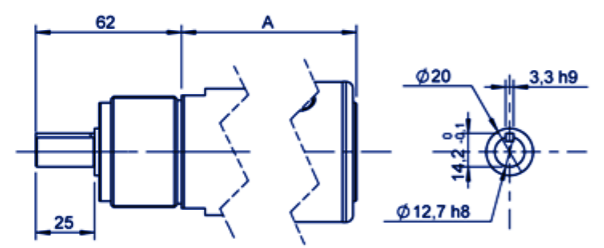
You didn't find your match ?
Contact us !

SHAFTS **GROUP IV** (1/3) XTH 05 XTH 07 XTS 08 XTH 08 XTS 10 XTH 10 XTS 20 XTS 25

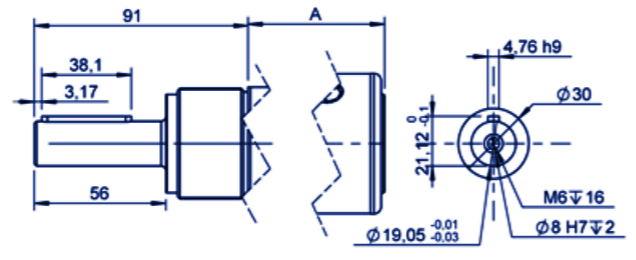


SHAFTS **GROUP IV** (2/3) XTH 05 XTH 07 XTS 08 XTH 08 XTS 10 XTH 10 XTS 20 XTS 25

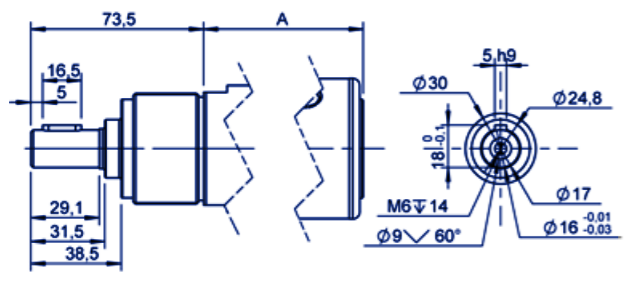
GROUP IV SHAFT CL1 - KEYED Ø1/2"



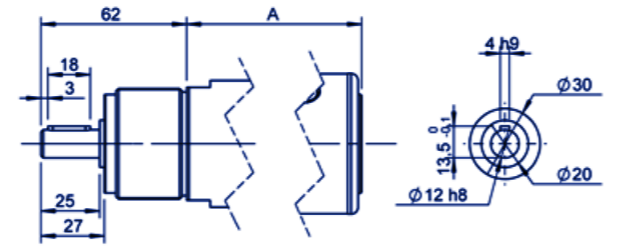
GROUP IV SHAFT CL2 - KEYED Ø3/4"



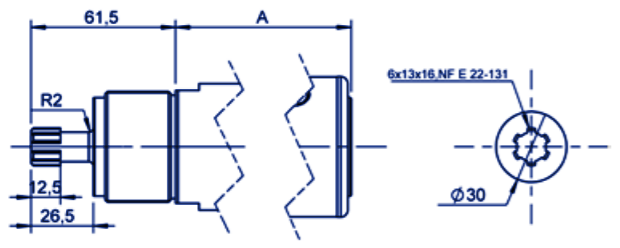
GROUP IV SHAFT CL6 - KEYED Ø16



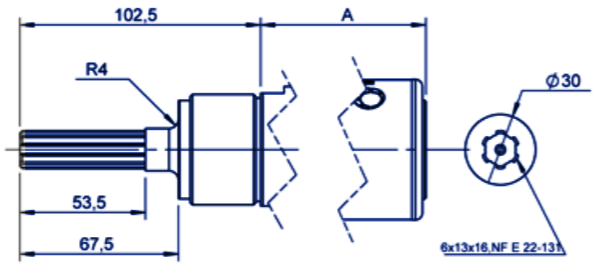
GROUP IV SHAFT CL9 - KEYED Ø12



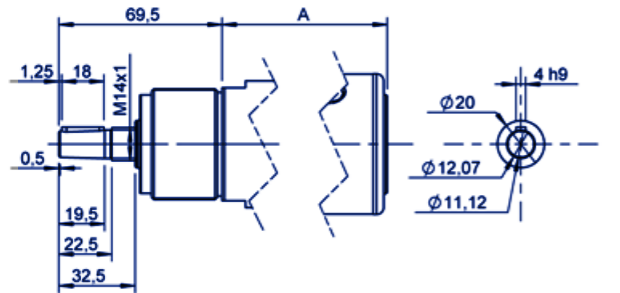
GROUP IV SHAFT CNC - SPLINED SHORT



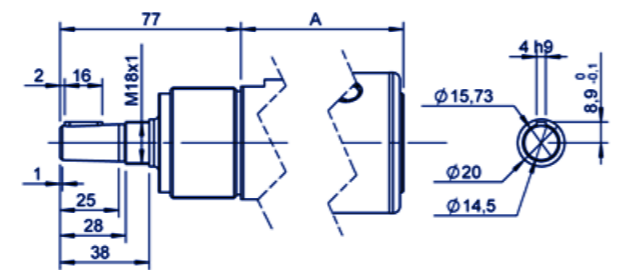
GROUP IV SHAFT CNL - SPLINED LONG



GROUP IV SHAFT CONICAL B12

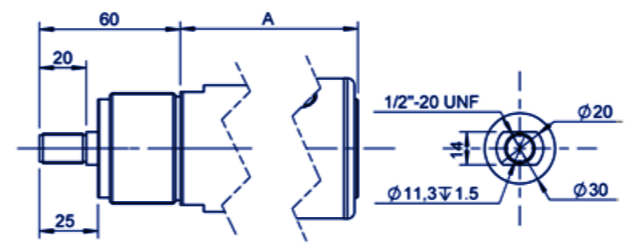


GROUP IV SHAFT CONICAL B16



SHAFTS **GROUP IV** (3/3) XTH 05 XTH 07 XTS 08 XTH 08 XTS 10 XTH 10 XTS 20 XTS 25

GROUP IV SHAFT FI1 - THREADED Ø1/2"



You didn't find your match ?
Contact us !