



MAX POWER
2700 W
MAX TORQUE
920 Nm

Frequently used in **bolting applications with high torques**, the "25" series air motors are **often equipped with an angle drive head and a high flow control handle** to ensure they have the necessary power.

The "25" series air motors can be found on **lifting applications** with torques approaching 1000 Nm. or on **cutting applications** with speeds above 11000 rpm.

Their high power (2700W) does not prevent them from being **compact and light** (3 to 12 kg. depending on the chosen configuration) and very versatile.



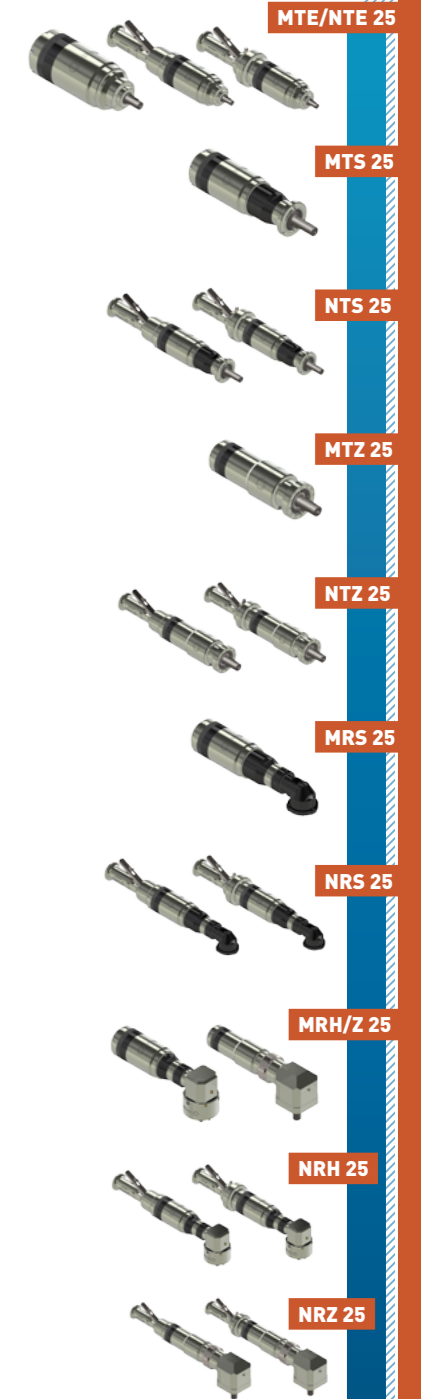
+ ACCESSORIES FOR THIS MOTOR	Reference
Filtration, pressure Regulation and Lubrication unit (FRL)	AC108
Safety Air Treatment Box (SAT Box)	AC126
With Pedal remote control	AC127
With handle remote control	AC128
With remote emergency kill switch	AC129
With remote E-Stop and pedal remote control	AC130
With remote E-Stop and handle remote control	AC131
Maintenance kits	
Maintenance kit for "25" series	AC305
Maintenance kit for lube free "25" series	AC315
Maintenance kit for kit start "25" series	AC325
Exhaust collector kit for "25" series	AC342
modec Oil Co-16	AC149
Control handles	
Safety control handle for non reversible "25" series	AC412
Safety control handle for reversible "25" series	AC414
Progressive control handle for non reversible "25" series	AC407
Progressive control handle for reversible "25" series	AC410
Filters et silencers	
Metallic standard exhaust silencer	AC182
Metallic standard inlet silencer	AC181
Plastic standard exhaust silencer	AC153
Plastic standard inlet silencer	AC183
Heavy duty exhaust silencer	AC157
Heavy duty inlet silencer	AC155
High flow air muffler	AC160
Exhaust silencer filter	AC185
Speed control muffler	AC174

CONNECTION AND LUBRIFICATION

Ø	Min. fittings Ø		Min. pipe Ø		Lubrification (6,2 bars)
	In	Out	In	Out	
	10 mm / 0,4 In	16 mm / 0,6 In	13 mm / 0,5 In	20 mm / 0,8 In	10 drops / minute

CONVERSION TABLE

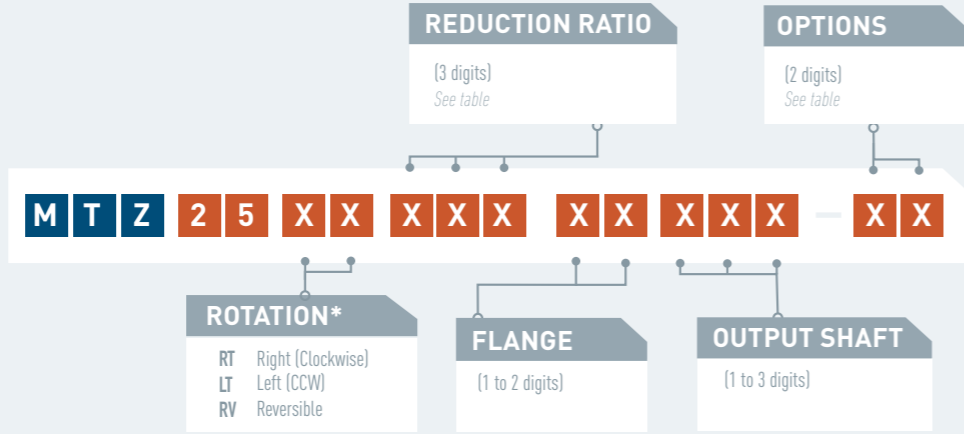
Watt ► Horse power	Newton meter ► Pound feet	Millimeter ► Inch
Watt x 0,001341 = hp	Nm x 0,7376 = lb.ft	mm x 0,03937 = in
Bar ► Pound per square Inch	Normo Liter / minute ► Standard cubic feet per minute	Kilogram ► Pound
Bar x 14,5 = psi	NL / min x 0,03531 = scfm	Kg x 2,205 = lb



MOTORS MTZ 25

POWER 2400-2700 W

MTZ 25



* rotation direction is defined when looking from the back of the motor

PERFORMANCES

MTZ 25 XT			Speed (rpm)		Torque (N.m)			Max Power (W)	Air cons (Nl/min)	Dimensions		
Air motor reference	Reduction ratio	Air supply pressure	@ max Power	Free	@ max Power	Max (stall)	Starting torque			A (mm)	Ø (mm)	Weight (kg)
MTZ 25 XT 054	54	6,2 bars	104	208	249	399	351	2715	2800	136,1	88,8	6,1
		5 bars	98	195	206	328	289	2105	2300			
		4 bars	91	181	170	260	228	1614	1800			
MTZ 25 XT 077	77	6,2 bars	73	145	357	571	502	2715	2800	136,1	88,8	6,1
		5 bars	68	136	295	470	414	2105	2300			
		4 bars	63	127	244	372	327	1614	1800			

MTZ 25 RV			Speed (rpm)		Torque (N.m)			Max Power (W)	Air cons (Nl/min)	Dimensions		
Air motor reference	Reduction ratio	Air supply pressure	@ max Power	Free	@ max Power	Max (stall)	Starting torque			A (mm)	Ø (mm)	Weight (kg)
MTZ 25 RV 054	54	6,2 bars	95	189	242	372	327	2395	2700	136,1	88,8	6,1
		5 bars	88	176	207	306	269	1909	2200			
		4 bars	83	165	175	248	218	1512	1700			
MTZ 25 RV 077	77	6,2 bars	66	132	347	533	469	2395	2700	136,1	88,8	6,1
		5 bars	61	123	297	438	386	1909	2200			
		4 bars	58	115	251	355	313	1512	1700			
MTZ 25 RV 113	113	6,2 bars	45	90	511	785	691	2395	2700	177,2	88,8	6,4
		5 bars	42	83	437	646	568	1909	2200			
		4 bars	39	78	369	523	461	1512	1700			

Data indicated in this table have an accuracy of +/- 5%

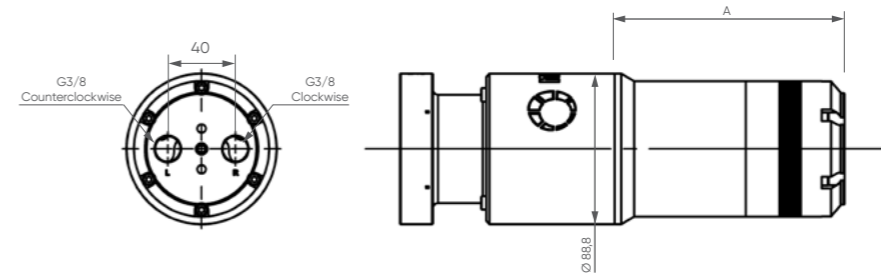
OPTIONS AVAILABLE FOR THIS MOTOR

Collected exhaust	00	01	02	03	04	05	07	09	10	11	12	13	14	16	17	21	22	23	27	28	29	30	36	37	
ATEX certification																									
Left/Right switch*																									
Lubrication free																									
Kit start																									
Inox																									

* Reversible motors only

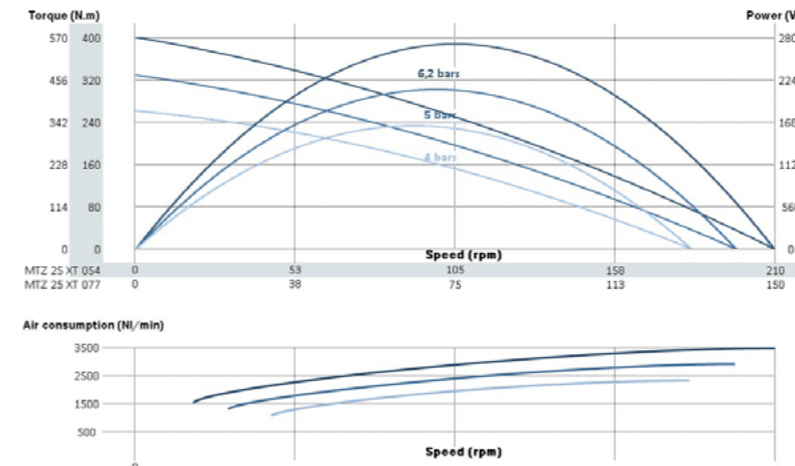
LAYOUT

MTZ 25

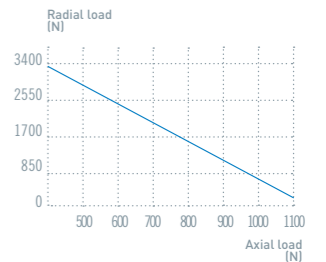


POWER, SPEED, TORQUE AND AIR CONSUMPTION GRAPHS

MTZ 25 XT



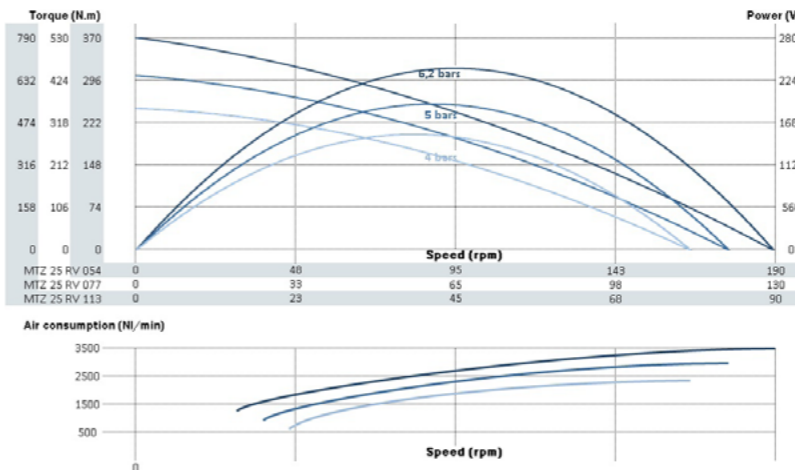
MAXIMUM RADIAL & AXIAL LOAD



for 100 millions revolutions (Load applied @ half shaft length)

NOTES

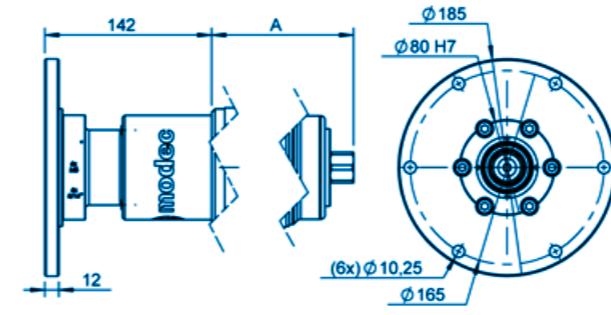
MTZ 25 RV



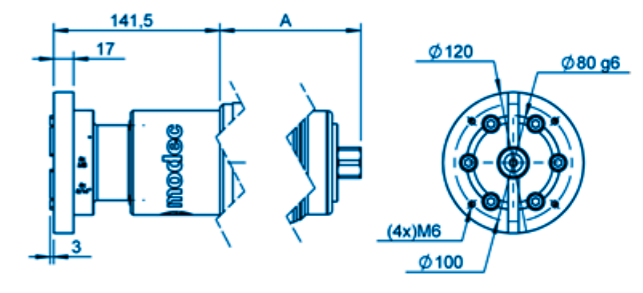
FLANGES **GROUP VI**

- XTZ 08
- XTZ 10
- XTZ 20
- XTZ 25
- XTS 30

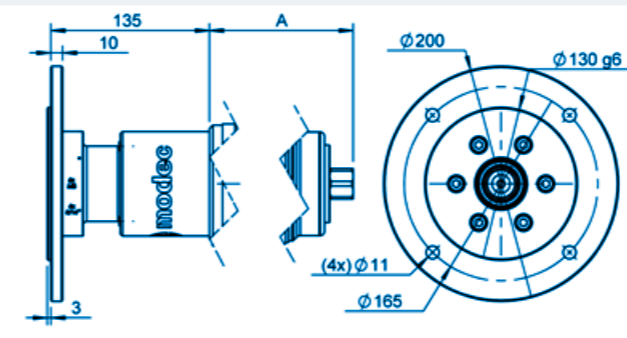
GROUP VI FLANGE AA



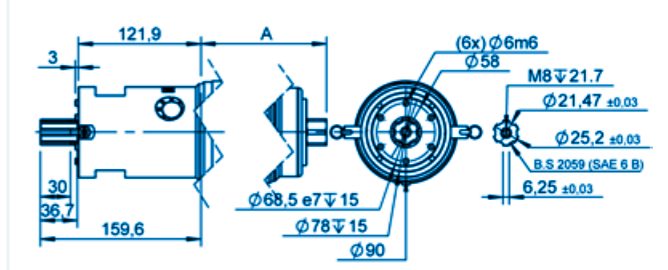
GROUP VI FLANGE AB - IEC80B14



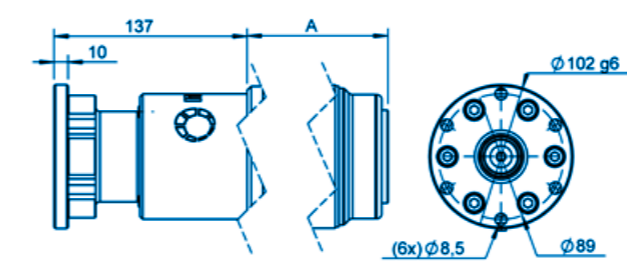
GROUP VI FLANGE AG - IEC80B5



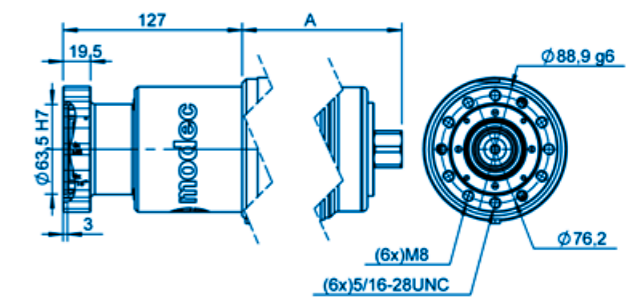
GROUP VI FLANGE AI WITH SHAFT CNW



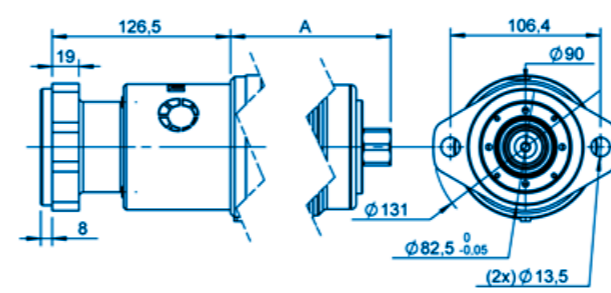
GROUP VI FLANGE AL



GROUP VI FLANGE B



GROUP VI FLANGE H



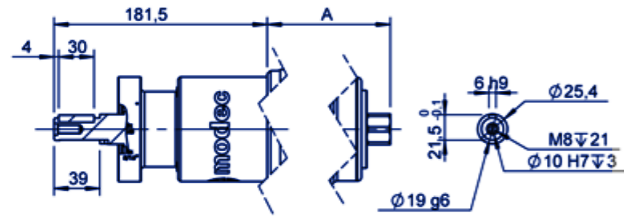
You didn't find your match ?

Contact us !

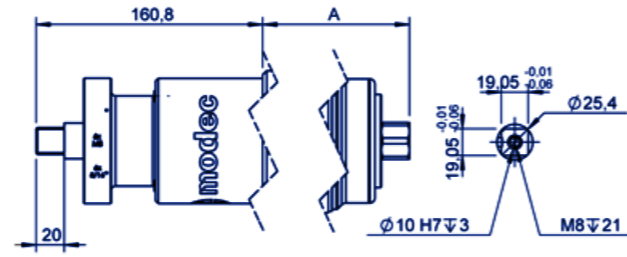
SHAFTS **GROUP VI**

- XTZ 08
- XTZ 10
- XTZ 20
- XTZ 25
- XTS 30

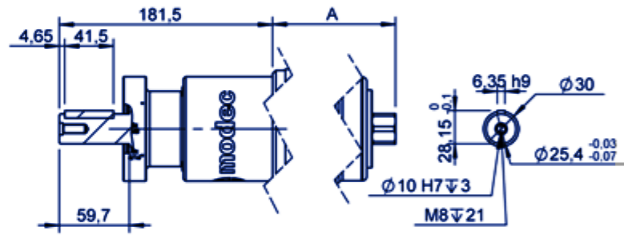
GROUP VI SHAFT 003 - KEYED Ø19 - IEC 80B14 - IEC 80B5



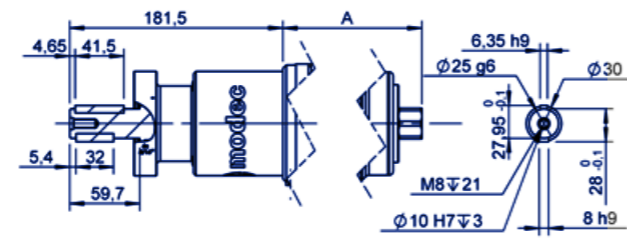
GROUP VI SHAFT CA1 - SQUARE 3/4"



GROUP VI SHAFT CL2 - KEYED Ø1"



GROUP VI SHAFT CL4 - KEYED Ø25



You didn't find
your match ?

Contact us !

