

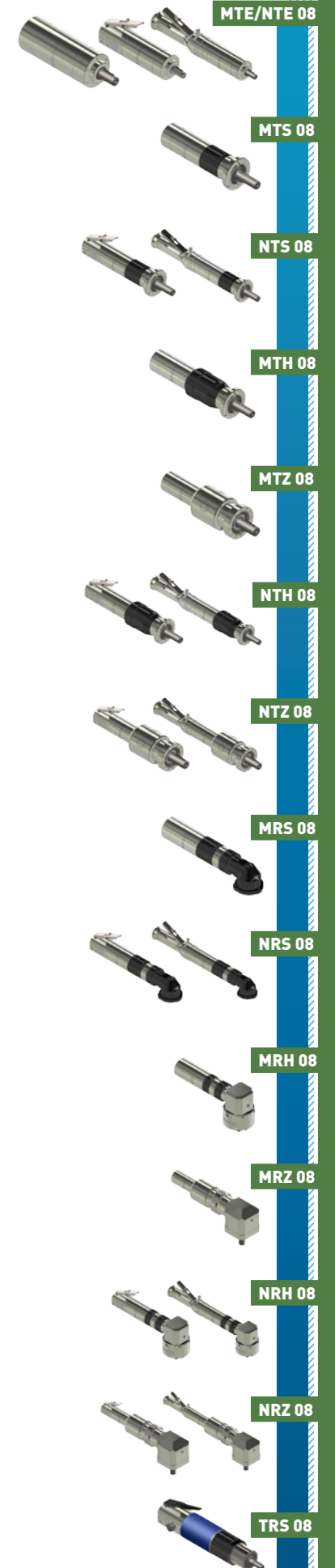


MAX POWER  
**710 W**  
MAX TORQUE  
**730 Nm**

"08" series air motors exist in many versions, straight shaft or right angle drive, with or without integrated control handle, and with many different flanges and output shafts available as standard.


That air motor is also available with 4 types of integrated gearboxes, enabling it to adapt to many different applications, whether high speed is required (Easy duty), good balance between speed and torque (Standard duty) or high torque and robustness is mandatory (Heavy duty and Super Heavy duty).

With a maximum power of 700 W, it is one of the most versatile air motors in the range.



+ ACCESSORIES FOR THIS MOTOR	Reference
Filtration, pressure Regulation and Lubrication unit (FRL)	AC107
Safety Air Treatment Box (SAT Box)	AC118
With Pedal remote control	AC119
With handle remote control	AC120
With remote emergency kill switch	AC125
With remote E-Stop and pedal remote control	AC121
With remote E-Stop and handle remote control	AC122
Maintenance kits	
Maintenance kit for "08" series	AC302
Maintenance kit for lube free "08" series	AC312
Maintenance kit for kit start "08" series	AC322
Control handles	
Safety control handle for non reversible motor	AC415
Safety control handle for reversible motor	AC416
Progressive control handle for non reversible motor	AC417
Progressive control handle for reversible motor	AC418
modec Oil Co-16	AC149
Filters and silencers	
Metallic standard exhaust silencer	AC181
Metallic standard inlet silencer	AC180
Plastic standard exhaust silencer	AC183
Plastic standard inlet silencer	AC150
Heavy duty exhaust silencer	AC155
Heavy duty inlet silencer	AC154
Speed control muffler	AC172
High flow air muffler	AC158
Exhaust silencer filter	AC165

**CONNECTION AND LUBRICATION**

	Min. fittings Ø		Min. pipe Ø		Lubrication (6,2 bars)
	In	Out	In	Out	
	7 mm / 0,3 In	10 mm / 0,4 In	9 mm / 0,4 In	13 mm / 0,5 In	4 drops / minute

**CONVERSION TABLE**

Watt ► Horse power	Newton meter ► Pound feet	Millimeter ► Inch
Watt x 0,001341 = hp	Nm x 0,7376 = lb.ft	mm x 0,03937 = in
Bar ► Pound per square Inch	Normo Liter / minute ► Standard cubic feet per minute	Kilogram ► Pound
Bar x 14,5 = psi	NL / min x 0,03531 = scfm	Kg x 2,205 = lb



# MOTOR NRH 08 / NRZ 08

POWER 400 W



### REDUCTION RATIO

(3 digits)  
See table

### OPTIONS

(2 digits)  
See table

**N R H/Z 0 8 X X X X X X X X - X X**

### ROTATION\*

- RT Right (Clockwise)
- LT Left (CCW)
- RV Reversible

### FLANGE

(1 to 2 digits)

### OUTPUT SHAFT

(1 to 3 digits)

\* rotation direction is defined when looking from the back of the motor

## PERFORMANCES

NRH/Z 08 XT	Air motor reference	Reduction ratio	Air supply pressure		Speed (rpm)		Torque (N.m)			Max Power (W)	Air cons (Nl/min)	Dimensions		
			@ max Power	Free	@ max Power	Free	@ max Power	Max (stall)	Starting torque			A (mm)	Ø (mm)	Weight (kg)
NRH 08 XT 225		225	6,2 bars	36	72	107	192	169	400	900	292	54	5,4	
			5 bars	33	66	88	157	135	305	750				
			4 bars	30	60	71	125	110	223	600				
NRH 08 XT 269		269	6,2 bars	30	60	128	230	202	400	900	292	54	5,4	
			5 bars	28	55	105	188	162	305	750				
			4 bars	25	50	85	149	131	223	600				
NRH 08 XT 322		322	6,2 bars	25	50	153	275	242	400	900	292	54	5,4	
			5 bars	23	46	126	225	194	305	750				
			4 bars	21	42	102	179	157	223	600				
NRH 08 XT 411		411	6,2 bars	20	39	195	351	309	400	900	292	54	5,4	
			5 bars	18	36	161	287	248	305	750				
			4 bars	16	33	130	228	201	223	600				
NRH 08 XT 524		524	6,2 bars	15	31	249	447	394	400	900	292	54	5,4	
			5 bars	14	28	205	366	316	305	750				
			4 bars	13	26	166	290	256	223	600				
NRZ 08 XT 788		788	6,2 bars	10	20	374	673	592	400	900	403,8	88,8	10,3	
			5 bars	9,4	19	309	550	475	305	750				
			4 bars	8,5	17	250	437	384	223	600				

NRH/Z 08 RV	Air motor reference	Reduction ratio	Air supply pressure		Speed (rpm)		Torque (N.m)			Max Power (W)	Air cons (Nl/min)	Dimensions		
			@ max Power	Free	@ max Power	Free	@ max Power	Max (stall)	Starting torque			A (mm)	Ø (mm)	Weight (kg)
NRH 08 RV 225		225	6,2 bars	34	69	110	169	148	396	950	442,3	57	5,8	
			5 bars	31	63	91	137	119	298	750				
			4 bars	28	57	74	108	95	222	600				
NRH 08 RV 269		269	6,2 bars	29	58	131	202	178	396	950	442,3	57	5,8	
			5 bars	26	52	109	164	142	298	750				
			4 bars	24	48	89	129	113	222	600				
NRH 08 RV 322		322	6,2 bars	24	48	157	242	213	396	950	442,3	57	5,8	
			5 bars	22	44	130	196	171	298	750				
			4 bars	20	40	107	154	136	222	600				
NRH 08 RV 411		411	6,2 bars	19	38	201	308	271	396	950	442,3	57	5,8	
			5 bars	17	34	166	250	218	298	750				
			4 bars	16	31	136	197	173	222	600				
NRH 08 RV 524		524	6,2 bars	15	30	256	393	346	396	950	442,3	57	5,8	
			5 bars	13	27	211	319	277	298	750				
			4 bars	12	24	174	251	221	222	600				
NRH 08 RV 750		750	6,2 bars	10	21	367	563	496	396	950	442,3	57	5,8	
			5 bars	9,4	19	303	456	397	298	750				
			4 bars	8,5	17	249	359	316	222	600				
NRZ 08 RV 1k1		1128	6,2 bars	6,9	14	551	847	745	396	950	546,8	88,8	10,8	
			5 bars	6,3	13	455	686	597	298	750				
			4 bars	5,7	11	374	540	475	222	600				

Data indicated in this table have an accuracy of +/- 5%

### OPTIONS AVAILABLE FOR THE NRH/Z 08 XT

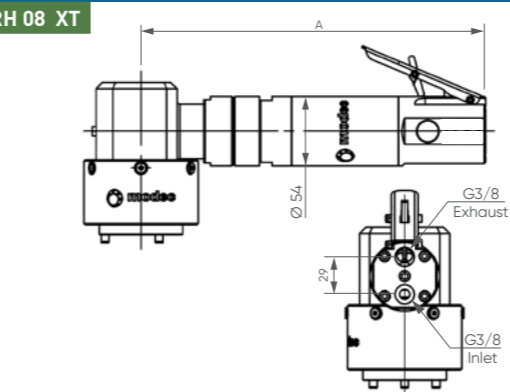
### OPTIONS AVAILABLE FOR THE NRH/Z 08 RV

Collected exhaust	<input type="checkbox"/>	<input type="checkbox"/>	<input type="checkbox"/>	<input type="checkbox"/>	<input type="checkbox"/>	<input type="checkbox"/>
ATEX certification	<input type="checkbox"/>	<input type="checkbox"/>	<input type="checkbox"/>	<input type="checkbox"/>	<input type="checkbox"/>	<input type="checkbox"/>
Lubrication free	<input type="checkbox"/>	<input type="checkbox"/>	<input type="checkbox"/>	<input type="checkbox"/>	<input type="checkbox"/>	<input type="checkbox"/>
Kit start	<input type="checkbox"/>	<input type="checkbox"/>	<input type="checkbox"/>	<input type="checkbox"/>	<input type="checkbox"/>	<input type="checkbox"/>
Code	01	07	09	10	21	22

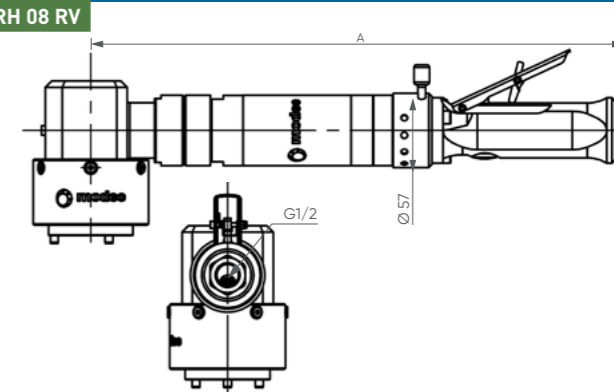
ATEX	<input type="checkbox"/>	<input type="checkbox"/>	<input type="checkbox"/>	<input type="checkbox"/>	<input type="checkbox"/>	<input type="checkbox"/>
Left/Right switch	<input type="checkbox"/>	<input type="checkbox"/>	<input type="checkbox"/>	<input type="checkbox"/>	<input type="checkbox"/>	<input type="checkbox"/>
Lubrication free	<input type="checkbox"/>	<input type="checkbox"/>	<input type="checkbox"/>	<input type="checkbox"/>	<input type="checkbox"/>	<input type="checkbox"/>
Kit start	<input type="checkbox"/>	<input type="checkbox"/>	<input type="checkbox"/>	<input type="checkbox"/>	<input type="checkbox"/>	<input type="checkbox"/>
Code	03	12	16	17	29	30

## LAYOUT

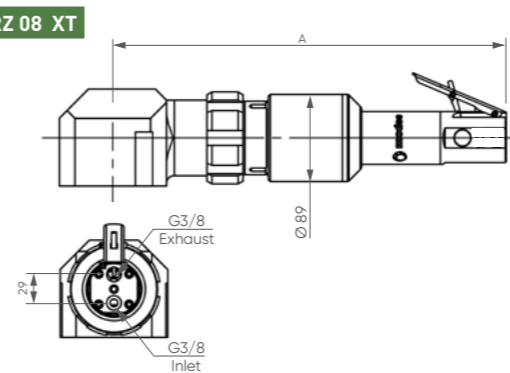
### NRH 08 XT



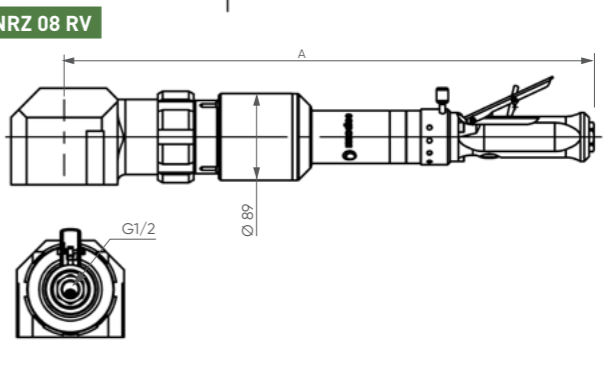
### NRH 08 RV



### NRZ 08 XT

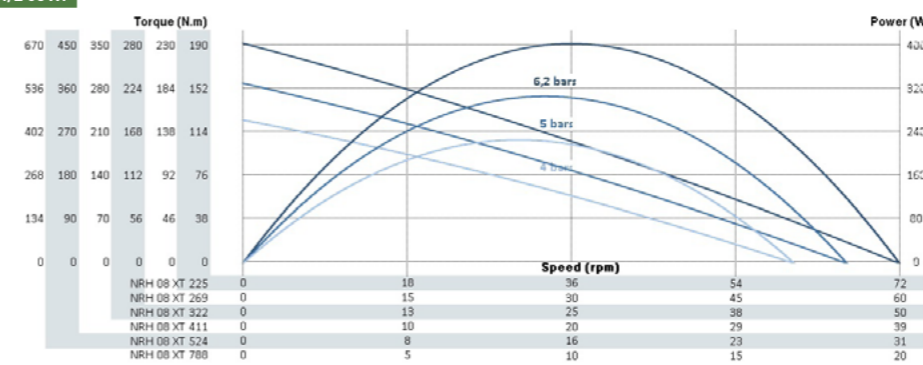


### NRZ 08 RV



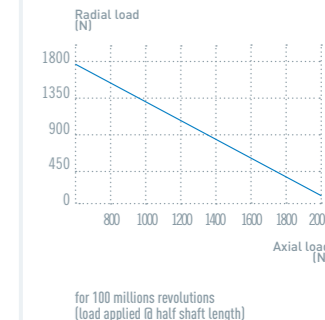
## POWER, SPEED, TORQUE AND AIR CONSUMPTION GRAPHS

### NRH/Z 08 XT

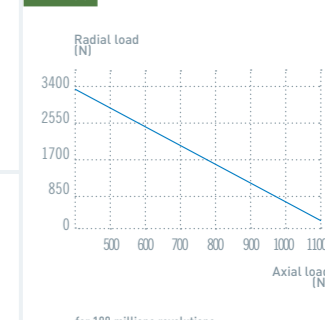


## MAXIMUM RADIAL & AXIAL LOAD

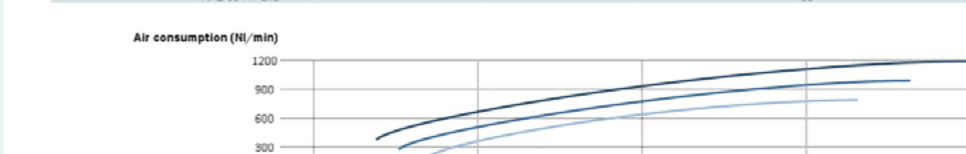
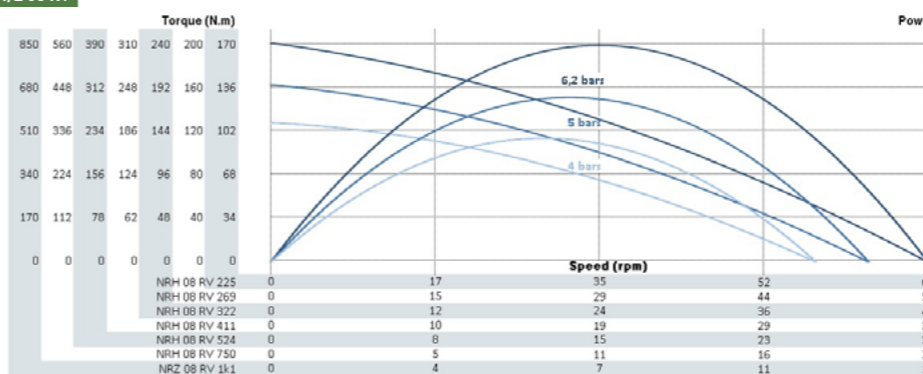
### NRH 08



### NRZ 08



### NRH/Z 08 RV



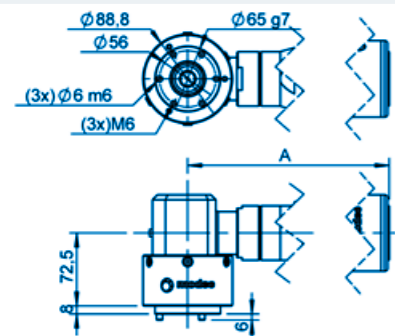
## NOTES



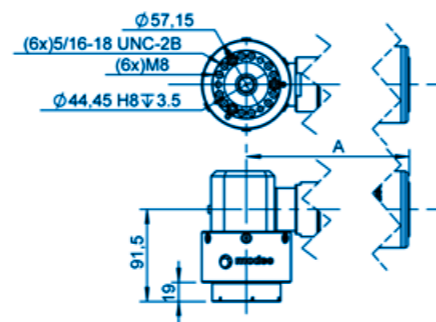
FLANGES **GROUP VIII**

XRZ 05 XRZ 07 XRH 08 XRH 10 XRH 20 XRH 25

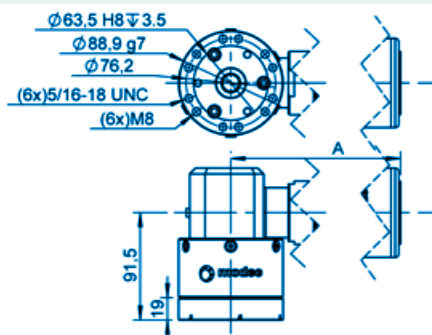
**GROUP VIII** FLANGE AA



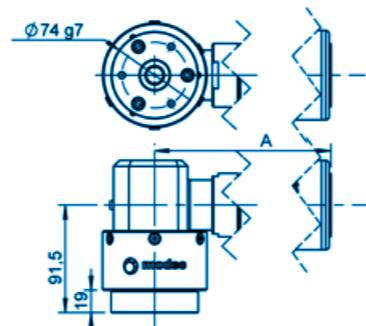
**GROUP VIII** FLANGE AB



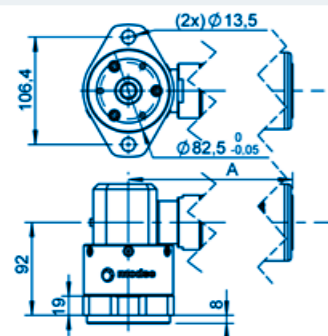
**GROUP VIII** FLANGE AC



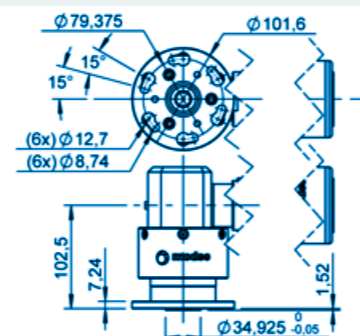
**GROUP VIII** FLANGE AD



**GROUP VIII** FLANGE AE



**GROUP VIII** FLANGE Q



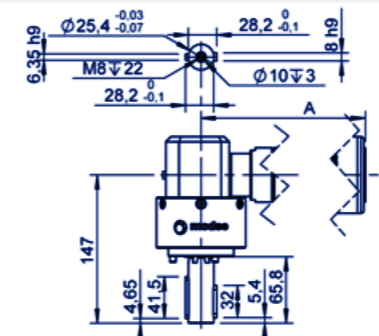
You didn't find your match ?

Contact us !

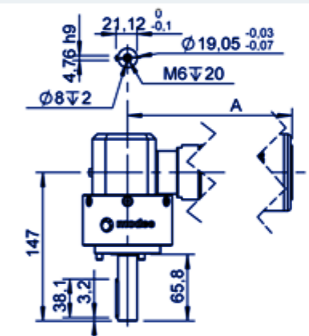
SHAFTS **GROUP VIII**

XRZ 05 XRZ 07 XRH 08 XRH 10 XRH 20 XRH 25

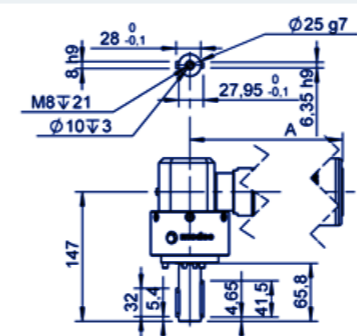
**GROUP VIII** SHAFT 001 - KEYED Ø1"



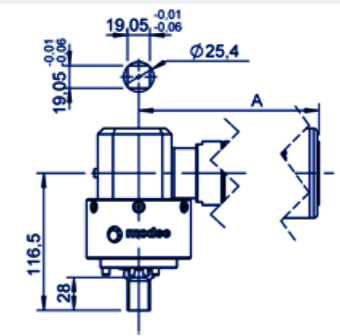
**GROUP VIII** SHAFT 002 - KEYED Ø3/4"



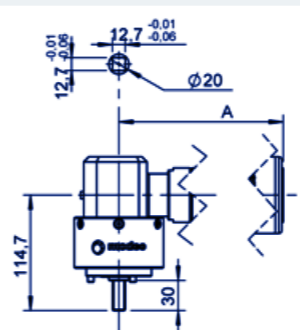
**GROUP VIII** SHAFT 003 - KEYED Ø25



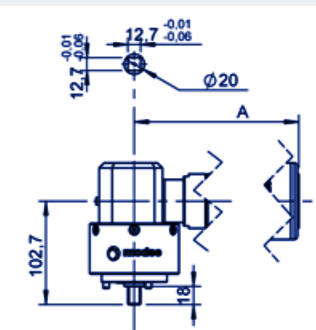
**GROUP VIII** SHAFT 004 - SQUARE 3/4"



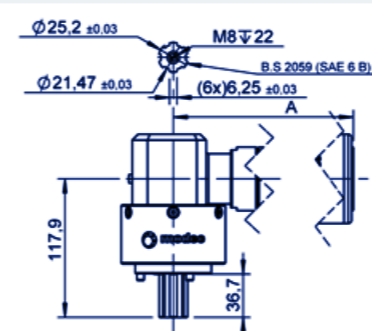
**GROUP VIII** SHAFT 005 - SQUARE 1/2" LONG



**GROUP VIII** SHAFT CA1 - SQUARE 1/2" SHORT



**GROUP VIII** SHAFT CNW - SPLINED



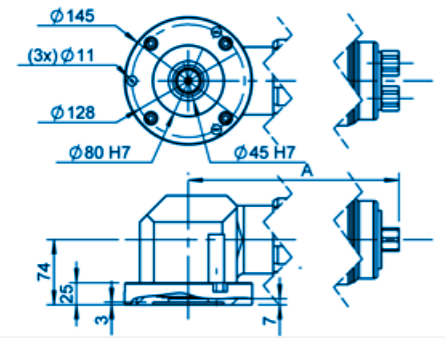
You didn't find your match ?

Contact us !

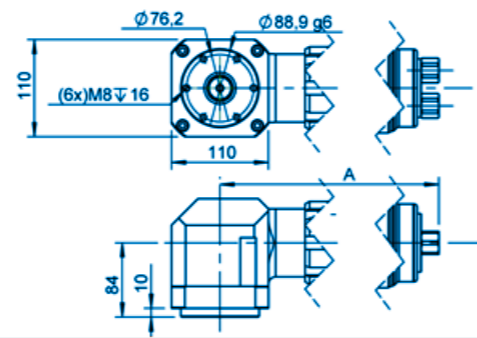
FLANGES & SHAFTS **GROUP IX**

- XRZ 08
- XRZ 10
- XRZ 20
- XRZ 25
- XRS 30

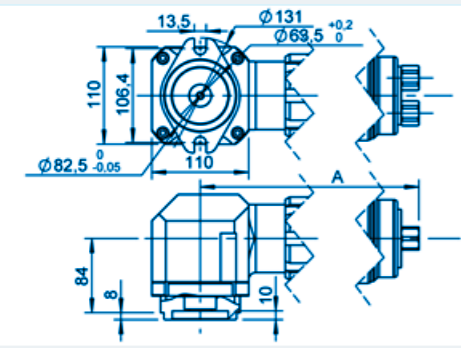
**GROUP IX** FLANGE A



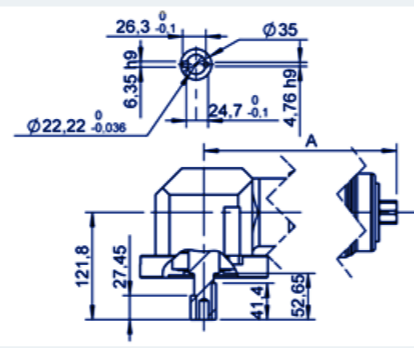
**GROUP IX** FLANGE B



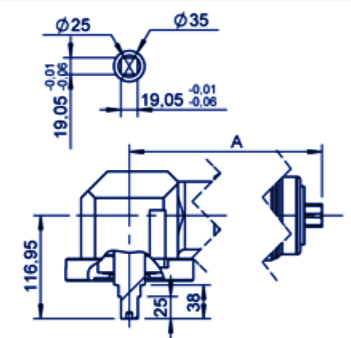
**GROUP IX** FLANGE H



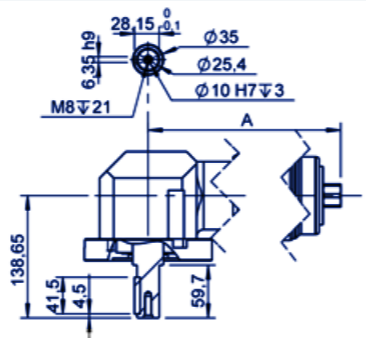
**GROUP IX** SHAFT 001 - KEYED 07/8"



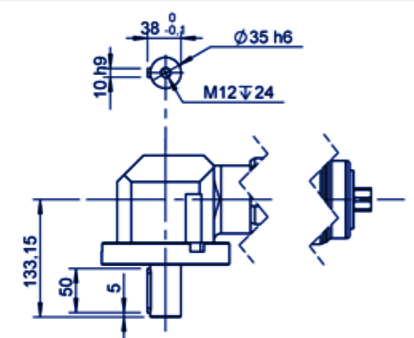
**GROUP IX** SHAFT 003 - KEYED 03/4"



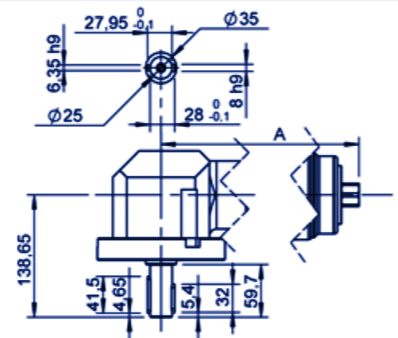
**GROUP IX** SHAFT CL2 - KEYED 01"



**GROUP IX** SHAFT CL3 - KEYED 035



**GROUP IX** SHAFT CL4 - KEYED 025



You didn't find  
your match ?  
  
Contact us !