

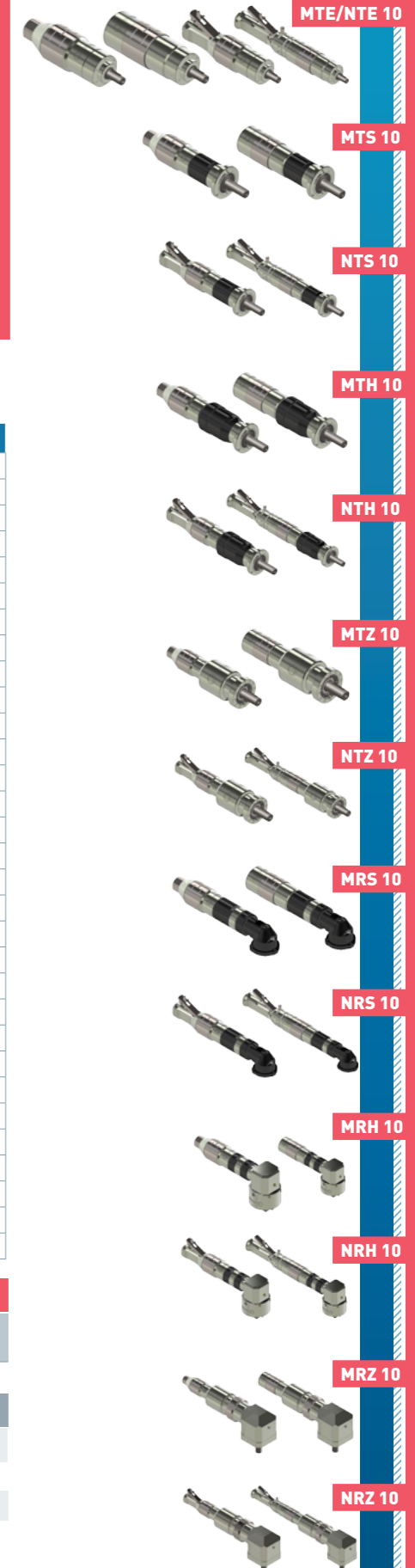


MAX POWER  
**1300 W**  
MAX TORQUE  
**1000 Nm**

Powerful and compact, "10" series air motors can develop more than 1200 W and weigh only 2kg for a 60 mm diameter and a total length that can be as short as 155 mm. This makes it one of the highest power-to-weight ratio air motor on the market.

Available in 4 families (Easy, Standard, Heavy and Super heavy duty) with several types of gearboxes and right angle heads, it can develop up to 1000 Nm torque.

The wide variety of flanges and shafts allows the "10" range air motors to be easily fitted to any machine for a wide range of applications.



+ ACCESSORIES FOR THIS MOTOR	Reference
Filtration, pressure Regulation and Lubrication unit (FRL)	AC107
Safety Air Treatment Box (SAT Box)	AC118
With Pedal remote control	AC119
With handle remote control	AC120
With remote emergency kill switch	AC125
With remote E-Stop and pedal remote control	AC121
With remote E-Stop and handle remote control	AC122
Maintenance kits	
Maintenance kit for "10 XT" series	AC303
Maintenance kit for "10 RV" series	AC308
Maintenance kit for lube free "10 XT" series	AC313
Maintenance kit for lube free "10 RV" series	AC318
Maintenance kit for kit start "10 XT" series	AC323
Maintenance kit for kit start "10 RV" series	AC328
Exhaust collector kit for "10" series	AC340
modec Oil Co-16	AC149
Control handles	
Safety control handle for non reversible "10" series	AC406
Safety control handle for reversible "10" series	AC404
Progressive control handle for non reversible "10" series	AC400
Progressive control handle for reversible "10" series	AC408
Filters and silencers	
Metallic standard silencer	AC182
Metallic standard inlet silencer (RV)	AC181
Plastic standard silencer	AC152
Plastic standard inlet silencer (RV)	AC183
Heavy duty silencer	AC156
Heavy duty inlet silencer (RV)	AC155
High flow air muffler	AC158
Exhaust silencer filter	AC165
Speed control muffler	AC174

**CONNECTION AND LUBRICATION**

Min. fittings Ø	Min. pipe Ø		Lubrication (6,2 bars)	
	In	Out		
10 mm / 0,4 In	16 mm / 0,6 In	13 mm / 0,5 In	20 mm / 0,8 In	6 drops / minute

**CONVERSION TABLE**

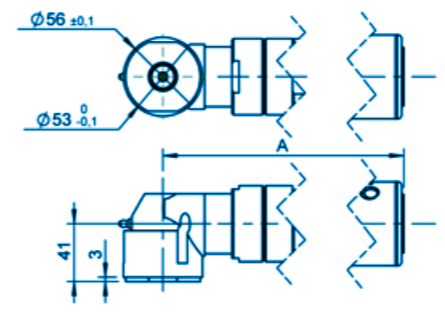
Watt ▶ Horse power	Newton meter ▶ Pound feet	Millimeter ▶ Inch
Watt x 0,001341 = hp	Nm x 0,7376 = lb.ft	mm x 0,03937 = in
Bar ▶ Pound per square Inch	Normo Liter / minute ▶ Standard cubic feet per minute	Kilogram ▶ Pound
Bar x 14,5 = psi	NL / min x 0,03531 = scfm	Kg x 2,205 = lb



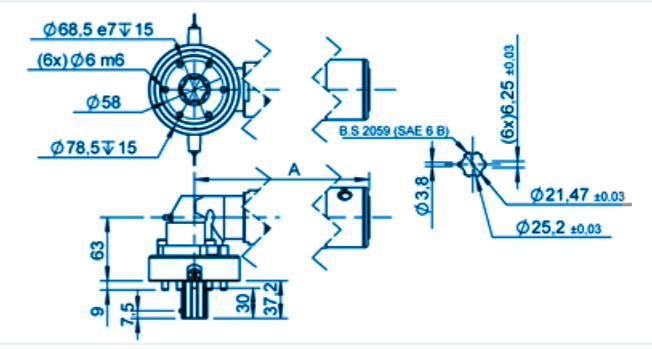
FLANGES **GROUP VII**

- XRH 05
- XRH 07
- XRS 08
- XRS 10
- XRS 20
- XRS 25

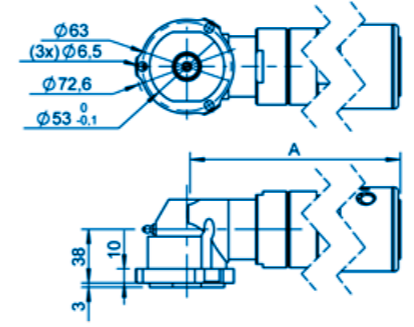
**GROUP VII** FLANGE AF



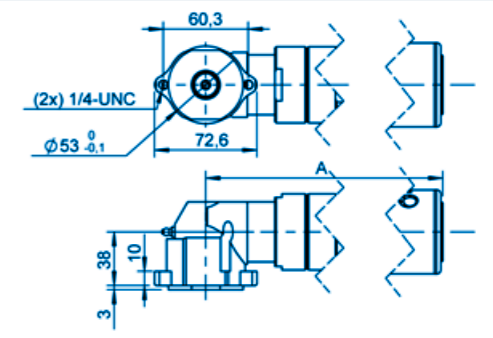
**GROUP VII** FLANGE AG WITH SHAFT 013



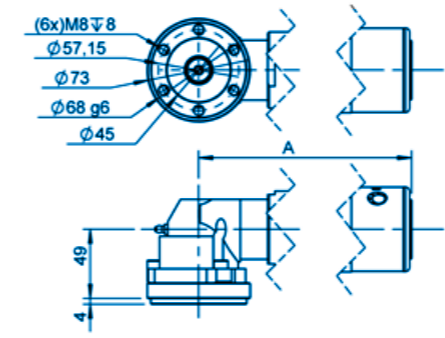
**GROUP VII** FLANGE B



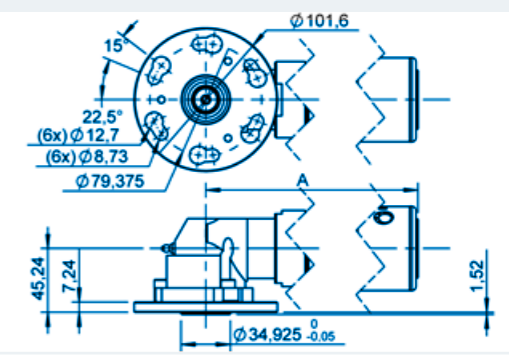
**GROUP VII** FLANGE E



**GROUP VII** FLANGE M



**GROUP VII** FLANGE Q



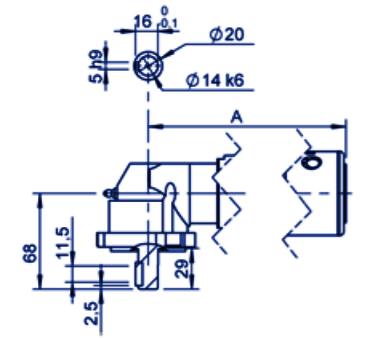
You didn't find your match ?

Contact us !

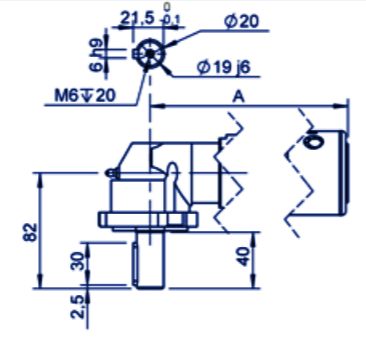
SHAFTS **GROUP VII** (1/2)

- XRH 05
- XRH 07
- XRS 08
- XRS 10
- XRS 20
- XRS 25

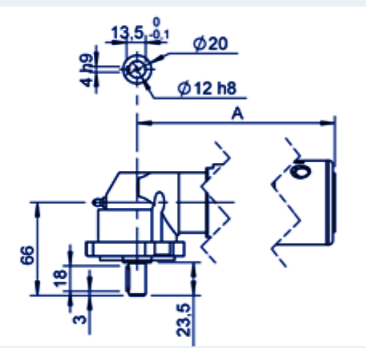
**GROUP VII** SHAFT 021 - KEYED Ø14



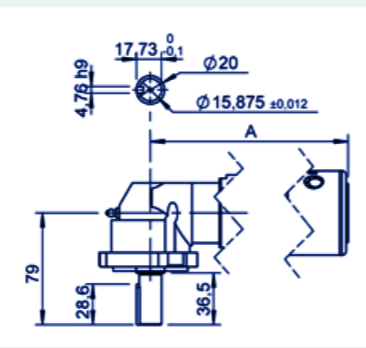
**GROUP VII** SHAFT C12 - KEYED Ø19



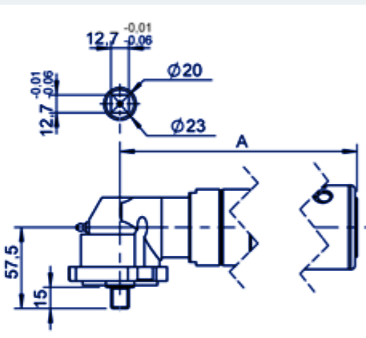
**GROUP VII** SHAFT C13 - KEYED Ø12



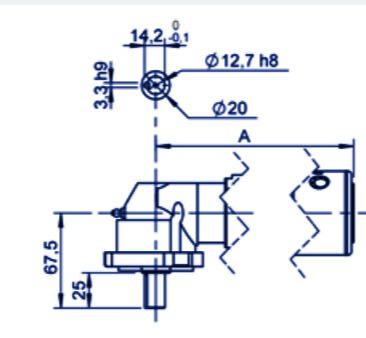
**GROUP VII** SHAFT C14 - KEYED Ø5/8"



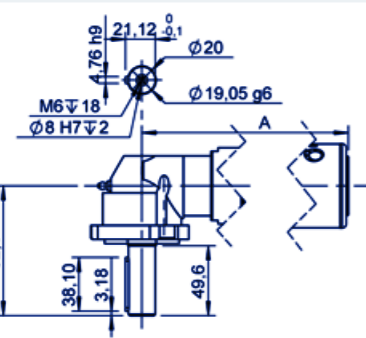
**GROUP VII** SHAFT CA1 - SQUARE 1/2"



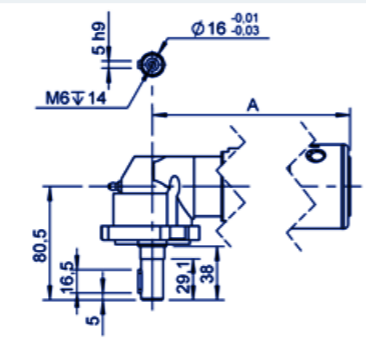
**GROUP VII** SHAFT CL1 - KEYED Ø1/2"



**GROUP VII** SHAFT CL2 - KEYED Ø3/4"



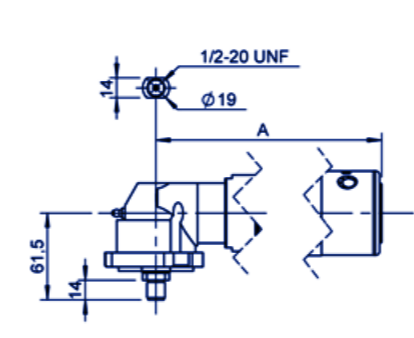
**GROUP VII** SHAFT CL6 - KEYED Ø16



SHAFTS **GROUP VII** (2/2)

- XRH 05
- XRH 07
- XRS 08
- XRS 10
- XRS 20
- XRS 25

**GROUP VII** SHAFT F11 - THREADED Ø1/2"



You didn't find your match ?

Contact us !