



MAX POWER
1900 W
MAX TORQUE
840 Nm

Twin brothers of the "10", the "20" series air motors offer the same versatility and are available with the same speed and torque ranges but **with even greater power.**

It contains the 3 same application families (Easy, Standard and Heavy duty) with the same configurations of right angle drive heads and integrated handles. **Ideal for applications as different as blasting, conveyors, lifting or integration in special machines.**

Like their little brothers, the "20" range air motors **can get an integrated speed controller**, which is indispensable for certain manual applications.



+ ACCESSORIES FOR THIS MOTOR	Reference
Filtration, pressure Regulation and Lubrication unit (FRL)	AC107
Safety Air Treatment Box (SAT Box)	AC118
With Pedal remote control	AC119
With handle remote control	AC120
With remote emergency kill switch	AC125
With remote E-Stop and pedal remote control	AC121
With remote E-Stop and handle remote control	AC122
Maintenance kits	
Maintenance kit for "20" series	AC304
Maintenance kit for lube free "20" series	AC314
Maintenance kit for kit start "20" series	AC324
Exhaust collector kit for "20" series	AC341
modec Oil Co-16	AC149
Control handles	
Safety control handle for non reversible "20" series	AC406
Safety control handle for reversible "20" series	AC404
Progressive control handle for non reversible "20" series	AC400
Progressive control handle for reversible "20" series	AC408
Filters et silencers	
Metallic standard silencer	AC182
Metallic standard inlet silencer (RV)	AC181
Plastic standard silencer	AC152
Plastic standard inlet silencer (RV)	AC183
Heavy duty silencer	AC156
Heavy duty inlet silencer (RV)	AC155
High flow air muffler	AC159
Exhaust silencer filter	AC161
Speed control muffler	AC174

CONNECTION AND LUBRICATION				
Min. fittings Ø	Min. pipe Ø		Lubrication [6,2 bars]	
	In	Out		
10 mm / 0,4 In	16 mm / 0,6 In	13 mm / 0,5 In	20 mm / 0,8 In	7 drops / minute

CONVERSION TABLE		
Watt ► Horse power	Newton meter ► Pound feet	Millimeter ► Inch
Watt x 0,001341 = hp	Nm x 0,7376 = lb.ft	mm x 0,03937 = in
Bar ► Pound per square Inch	Normo Liter / minute ► Standard cubic feet per minute	Kilogram ► Pound
Bar x 14,5 = psi	NL / min x 0,03531 = scfm	Kg x 2,205 = lb

MOTORS NRS 20

POWER 1300-1500 W

NRS 20 XT

NRS 20 RV

REDUCTION RATIO

(3 digits)
See table

OPTIONS

(2 digits)
See table

N R S 2 0 X X X X X X X X - X X

ROTATION*

- RT Right (Clockwise)
- LT Left (CCW)
- RV Reversible

FLANGE

(1 to 2 digits)

OUTPUT SHAFT

(1 to 3 digits)

* rotation direction is defined when looking from the back of the motor

PERFORMANCES

NRS 20 XT	Air motor reference	Reduction ratio	Air supply pressure	Speed (rpm)		Torque (N.m)			Max Power (W)	Air cons (Nl/min)	Dimensions		
				@ max Power	Free	@ max Power	Max (stall)	Starting torque			A (mm)	Ø (mm)	Weight (kg)
NRS 20 XT 005		5,5	6,2 bars	1026	2051	14	25	22	1486	1800	421,5	76,1	4,6
			5 bars	972	1944	12	20	18	1172	1500			
			4 bars	909	1818	9,7	17	15	924	1200			
NRS 20 XT 006		6,4	6,2 bars	891	1782	16	29	25	1486	1800	421,5	76,1	4,6
			5 bars	845	1689	13	23	21	1172	1500			
			4 bars	790	1579	11	19	17	924	1200			
NRS 20 XT 008		8	6,2 bars	744	1488	19	34	30	1486	1800	421,5	76,1	4,6
			5 bars	705	1410	16	28	25	1172	1500			
			4 bars	659	1318	13	23	21	924	1200			
NRS 20 XT 010		10	6,2 bars	583	1167	24	44	38	1486	1800	421,5	76,1	4,6
			5 bars	553	1106	20	36	31	1172	1500			
			4 bars	517	1034	17	30	26	924	1200			
NRS 20 XT 014		14	6,2 bars	407	815	35	63	55	1486	1800	421,5	76,1	4,6
			5 bars	386	772	29	51	45	1172	1500			
			4 bars	361	722	24	43	37	924	1200			
NRS 20 XT 023		23	6,2 bars	246	492	58	104	91	1486	1800	453,5	76,1	4,9
			5 bars	233	466	48	85	74	1172	1500			
			4 bars	218	436	41	70	62	924	1200			
NRS 20 XT 027		27	6,2 bars	214	427	66	119	105	1486	1800	453,5	76,1	4,9
			5 bars	203	405	55	97	86	1172	1500			
			4 bars	189	379	47	81	71	924	1200			
NRS 20 XT 031		31	6,2 bars	186	371	76	137	121	1486	1800	453,5	76,1	4,9
			5 bars	176	352	64	112	99	1172	1500			
			4 bars	165	329	54	93	82	924	1200			
NRS 20 XT 037		37	6,2 bars	155	310	92	164	145	1486	1800	453,5	76,1	4,9
			5 bars	147	294	76	134	118	1172	1500			
			4 bars	137	275	64	112	98	924	1200			
NRS 20 RV	Air motor reference	Reduction ratio	Air supply pressure	Speed (rpm)		Torque (N.m)			Max Power (W)	Air cons (Nl/min)	Dimensions		
				@ max Power	Free	@ max Power	Max (stall)	Starting torque			A (mm)	Ø (mm)	Weight (kg)
NRS 20 RV 005		5,5	6,2 bars	856	1713	14	18	16	1269	1800	443	76,1	5,2
			5 bars	794	1588	12	15	13	975	1500			
			4 bars	738	1476	9,2	12	11	714	1200			
NRS 20 RV 006		6,4	6,2 bars	744	1488	16	21	18	1269	1800	443	76,1	5,2
			5 bars	690	1379	13	17	15	975	1500			
			4 bars	641	1282	11	14	13	714	1200			
NRS 20 RV 008		8	6,2 bars	621	1242	20	25	22	1269	1800	443	76,1	5,2
			5 bars	576	1151	16	21	18	975	1500			
			4 bars	535	1071	13	17	15	714	1200			
NRS 20 RV 010		10	6,2 bars	487	974	25	32	28	1269	1800	443	76,1	5,2
			5 bars	452	903	21	26	23	975	1500			
			4 bars	420	840	16	22	19	714	1200			
NRS 20 RV 014		14	6,2 bars	340	680	36	46	40	1269	1800	443	76,1	5,2
			5 bars	315	630	30	38	33	975	1500			
			4 bars	293	586	23	31	27	714	1200			
NRS 20 RV 023		23	6,2 bars	205	411	59	76	67	1269	1800	475	76,1	5,5
			5 bars	190	381	49	63	55	975	1500			
			4 bars	177	354	39	52	45	714	1200			
NRS 20 RV 027		27	6,2 bars	178	357	68	87	77	1269	1800	475	76,1	5,5
			5 bars	165	331	56	72	64	975	1500			
			4 bars	154	308	44	59	52	714	1200			
NRS 20 RV 031		31	6,2 bars	155	310	78	100	88	1269	1800	475	76,1	5,5
			5 bars	144	287	65	83	73	975	1500			
			4 bars	134	267	51	68	60	714	1200			
NRS 20 RV 037		37	6,2 bars	129	259	94	120	106	1269	1800	475	76,1	5,5
			5 bars	120	240	78	100	88	975	1500			
			4 bars	112	223	61	82	72	714	1200			
NRS 20 RV 041		41	6,2 bars	117	234	104	133	117	1269	1800	475	76,1	5,5
			5 bars	108	217	86	110	97	975	1500			
			4 bars	101	201	68	91	80	714	1200			
NRS 20 RV 047		47	6,2 bars	102	203	119	153	135	1269	1800	475	76,1	5,5
			5 bars	94	188	99	127	112	975	1500			
			4 bars	87	175	78	104	92	714	1200			

Data indicated in this table have an accuracy of +/- 5%

OPTIONS AVAILABLE FOR THE NRS 20 XT

Collected exhaust		▶	▶		
ATEX certification		▶	▶	▶	▶
Lubrication free		▶		▶	
Kit start		▶		▶	▶
Speed control		▶		▶	▶
Code	19	21	22	31	32

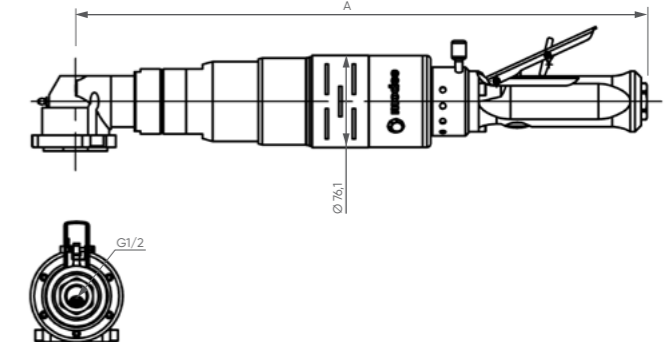
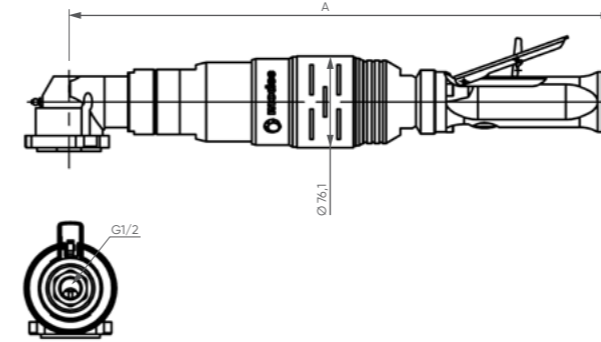
OPTIONS AVAILABLE FOR THE NRS 20 RV

ATEX certification		▶		▶	▶	
Left/Right switch		▶	▶	▶	▶	
Lubrication free			▶	▶		
Kit start			▶		▶	
Code	03	12	16	17	29	30

LAYOUT

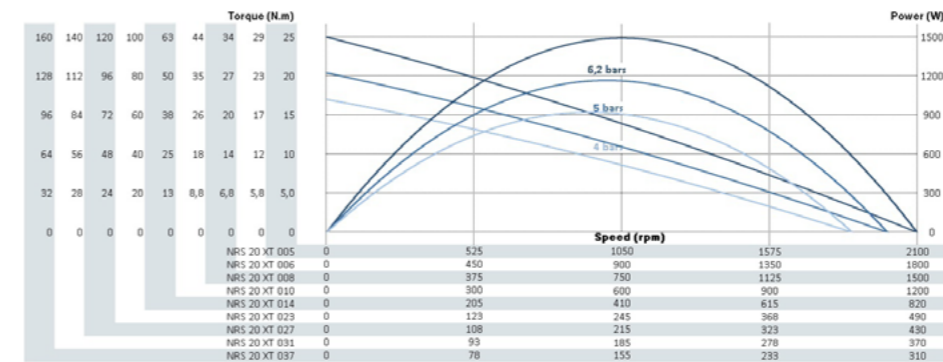
NRS 20 XT

NRS 20 RV

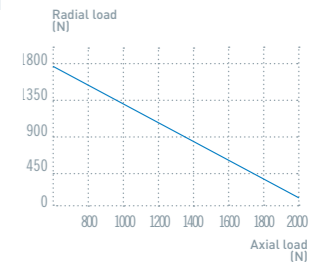


POWER, SPEED, TORQUE AND AIR CONSUMPTION GRAPHS

NRS 20 XT

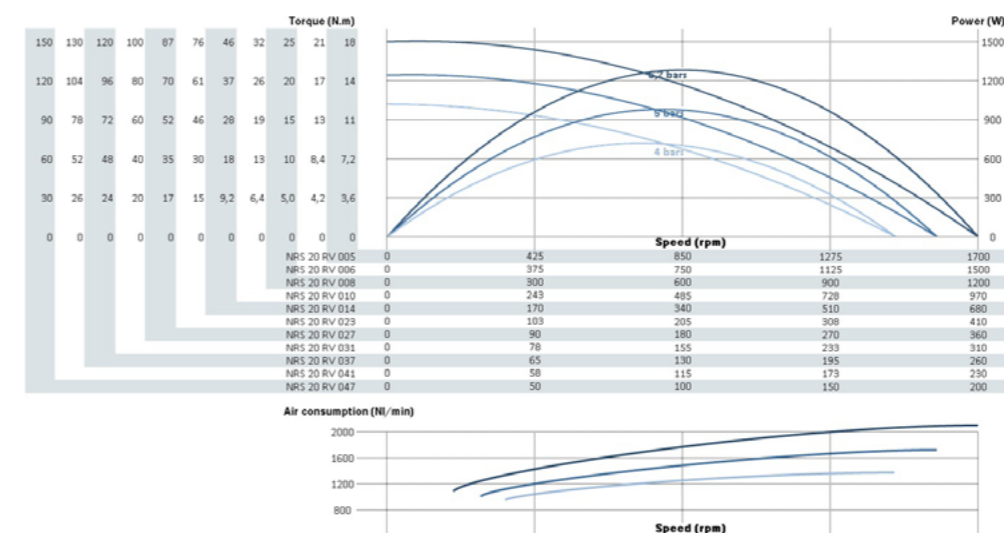


MAXIMUM RADIAL & AXIAL LOAD



for 100 millions revolutions (load applied @ half shaft length)

NRS 20 RV

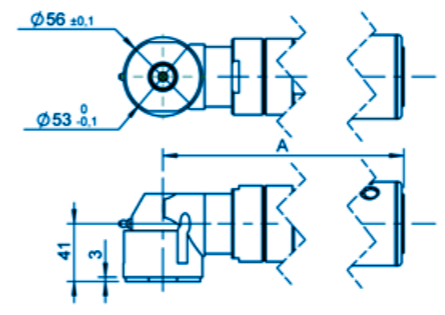


NOTES

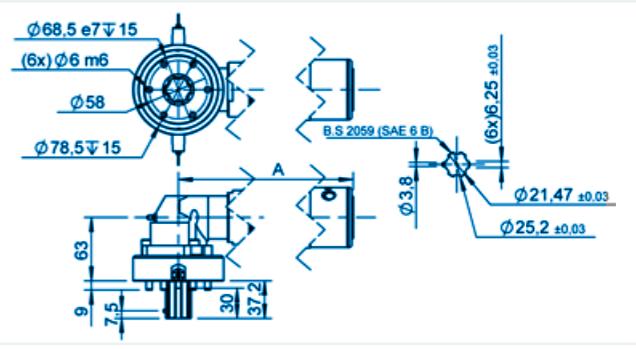
FLANGES **GROUP VII**

- XRH 05
- XRH 07
- XRS 08
- XRS 10
- XRS 20
- XRS 25

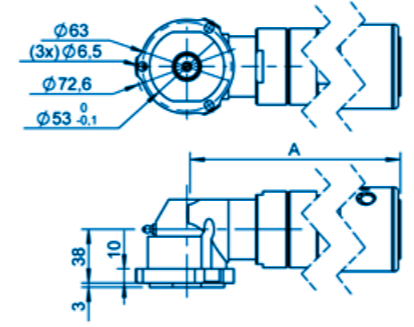
GROUP VII FLANGE AF



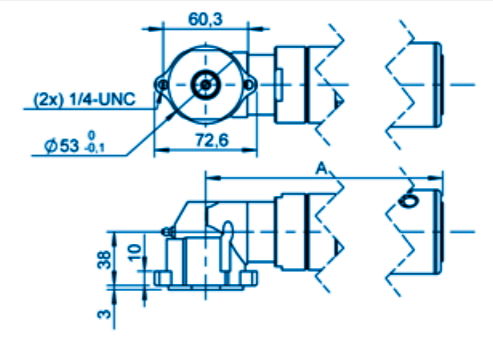
GROUP VII FLANGE AG WITH SHAFT 013



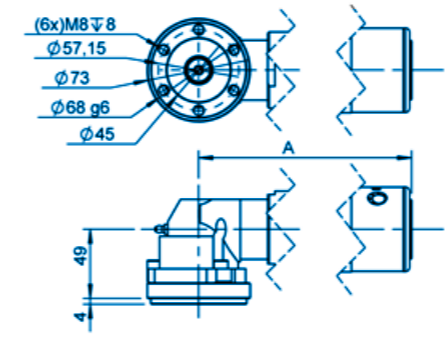
GROUP VII FLANGE B



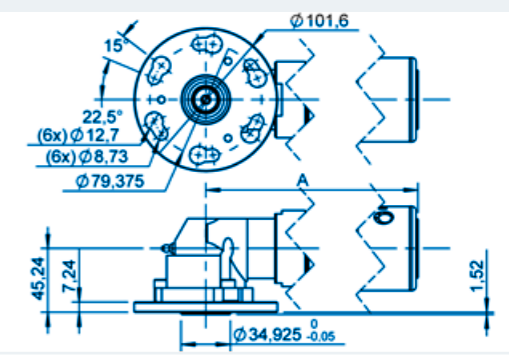
GROUP VII FLANGE E



GROUP VII FLANGE M



GROUP VII FLANGE Q



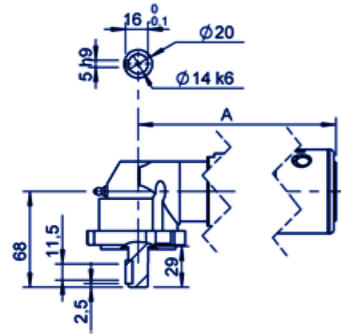
You didn't find your match ?

Contact us !

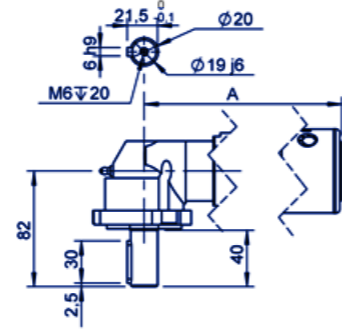
SHAFTS **GROUP VII** (1/2)

- XRH 05
- XRH 07
- XRS 08
- XRS 10
- XRS 20
- XRS 25

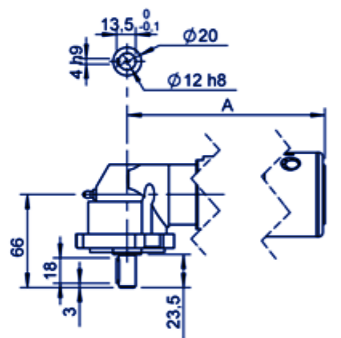
GROUP VII SHAFT 021 - KEYED Ø14



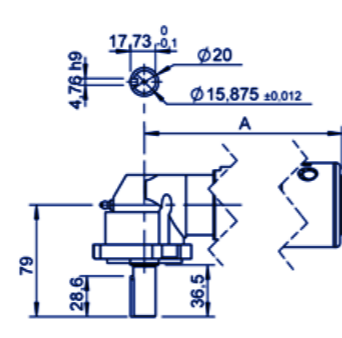
GROUP VII SHAFT C12 - KEYED Ø19



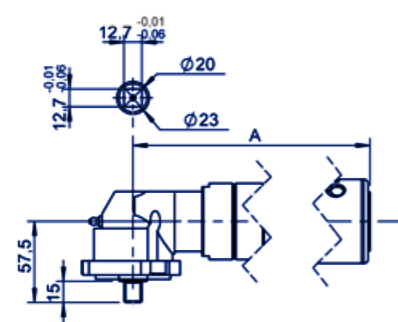
GROUP VII SHAFT C13 - KEYED Ø12



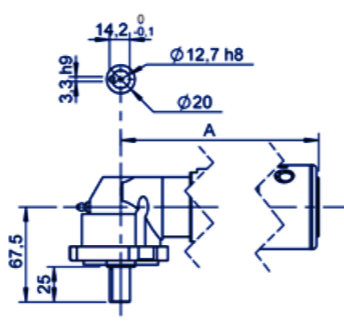
GROUP VII SHAFT C14 - KEYED Ø5/8"



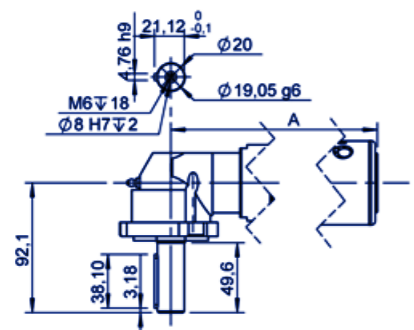
GROUP VII SHAFT CA1 - SQUARE 1/2"



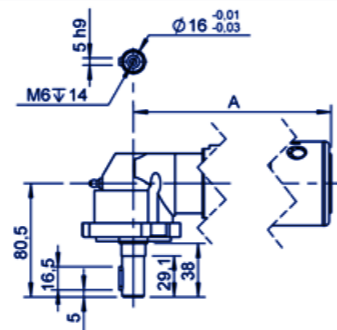
GROUP VII SHAFT CL1 - KEYED Ø1/2"



GROUP VII SHAFT CL2 - KEYED Ø3/4"



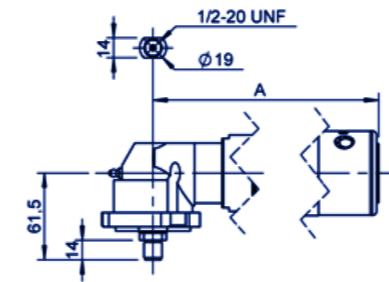
GROUP VII SHAFT CL6 - KEYED Ø16



SHAFTS **GROUP VII** (2/2)

- XRH 05
- XRH 07
- XRS 08
- XRS 10
- XRS 20
- XRS 25

GROUP VII SHAFT F11 - THREADED Ø1/2"



You didn't find your match ?

Contact us !