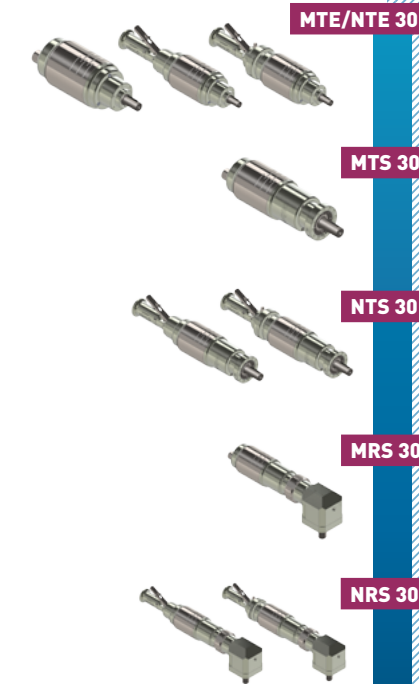




MAX POWER
3200 W
 MAX TORQUE
840 Nm


Modec air motors « 30 » series has long proven itself in the most demanding **applications in terms of torque, power and robustness**. With a power of more than 3 kW and an exceptionally robust design, it is no surprise that these air motors can be found in **the most demanding environments (ATEX, extreme temperatures, off-shore, marine) and on the most difficult applications (machining, conveying, drilling...)**.

They are of course available, like the other modec air motors, with or without right angle drive shaft and with or without handle.



+	ACCESSORIES FOR THIS MOTOR	Reference
	Filtration, pressure Regulation and Lubrication unit (FRL)	AC108
	Safety Air Treatment Box (SAT Box)	AC126
	With Pedal remote control	AC127
	With handle remote control	AC128
	With remote emergency kill switch	AC129
	With remote E-Stop and pedal remote control	AC130
	With remote E-Stop and handle remote control	AC131
	Maintenance kits	
	Maintenance kit for "30" series	AC306
	Maintenance kit for lube free "30" series	AC316
	Maintenance kit for kit start "30" series	AC326
	Exhaust collector kit for "30" series	AC343
	modec Oil Co-16	AC149
	Control handles	
	Safety control handle for non reversible "30" series	AC412
	Safety control handle for reversible "30" series	AC414
	Progressive control handle for non reversible "30" series	AC407
	Progressive control handle for reversible "30" series	AC410
	Filters et silencers	
	Metallic standard exhaust silencer	AC182
	Metallic standard inlet silencer	AC164
	Plastic standard exhaust silencer	AC153
	Plastic standard inlet silencer	AC184
	Heavy duty exhaust silencer	AC157
	Heavy duty inlet silencer	AC155
	High flow air muffler	AC160
	Exhaust silencer filter	AC185
	Speed control muffler	AC174

CONNECTION ET LUBRIFICATION

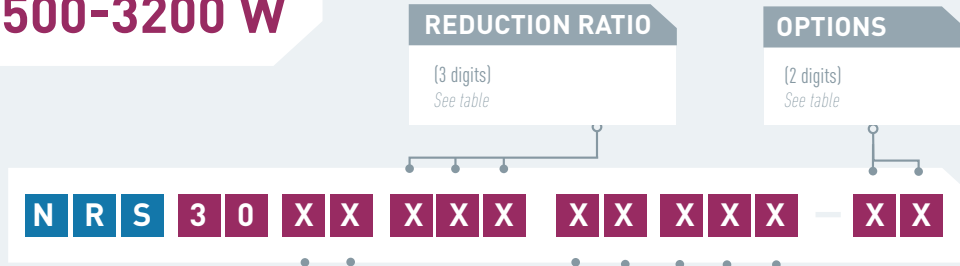
	Min. fittings Ø		Min. pipe Ø		Lubrification (6,2 bars)
	In	Out	In	Out	
	14 mm / 0,6 In	16 mm / 0,6 In	16 mm / 0,6 In	20 mm / 0,8 In	11 drops / minute

CONVERSION TABLE

Watt ► Horse power	Newton meter ► Pound feet	Millimeter ► Inch
Watt x 0,001341 = hp	Nm x 0,7376 = lb.ft	mm x 0,03937 = in
Bar ► Pound per square Inch	Normo Liter / minute ► Standard cubic feet per minute	Kilogram ► Pound
Bar x 14,5 = psi	NL / min x 0,03531 = scfm	Kg x 2,205 = lb

MOTORS NRS 30

POWER 2500-3200 W



* rotation direction is defined when looking from the back of the motor

OPTIONS AVAILABLE FOR THE NRS 30 XT

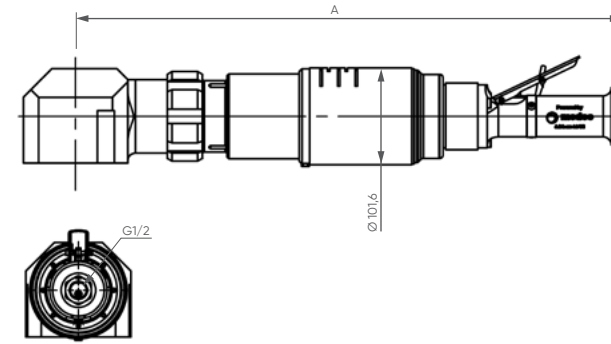
Collected exhaust														
ATEX certification														
Lubrication free														
Kit start														
Code	00	01	02	04	05	07	09	10	13	14	21	22		

OPTIONS AVAILABLE FOR THE NRS 30 RV

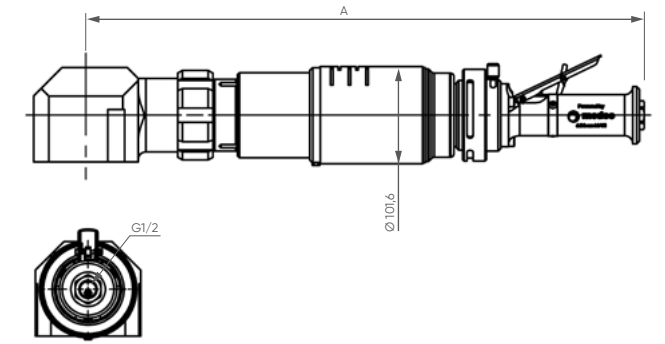
ATEX certification														
Left/Right switch														
Lubrication free														
Kit start														
Code	03	12	16	17	29	30								

LAYOUT

NRS 30 XT



NRS 30 RV

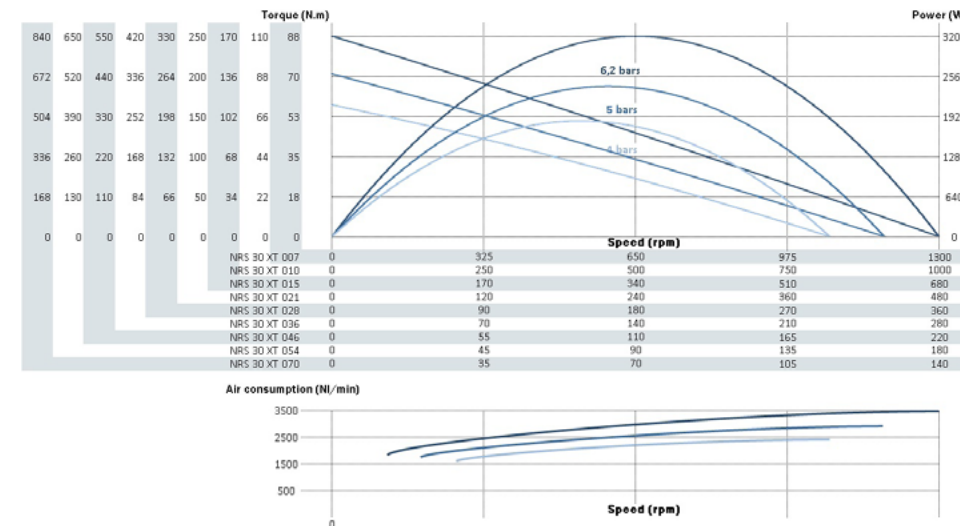


PERFORMANCES	NRS 30 XT										Dimensions				
	Air motor reference	Reduction ratio	Air supply pressure		Speed (rpm)			Torque (N.m)			Max Power (W)	Air cons (NI/min)	A (mm)	Ø (mm)	Weight (kg)
			@ max Power	Free	@ max Power	Max (stall)	Starting torque								
	NRS 30 XT 007	7	6,2 bars	673	1345	46	88	78	3208	3100	576,1	101,6	14,4		
5 bars			608	1217	38	71	63	2418	2500						
4 bars			553	1107	32	58	51	1858	2000						
	NRS 30 XT 010	10	6,2 bars	520	1040	59	114	100	3208	3100	576,1	101,6	14,4		
5 bars			470	940	49	92	81	2418	2500						
4 bars			428	855	41	75	66	1858	2000						
	NRS 30 XT 015	15	6,2 bars	340	681	90	174	153	3208	3100	576,1	101,6	14,4		
5 bars			308	616	75	141	124	2418	2500						
4 bars			280	560	63	114	101	1858	2000						
	NRS 30 XT 021	21	6,2 bars	238	475	129	249	220	3208	3100	576,1	101,6	14,4		
5 bars			215	430	107	202	178	2418	2500						
4 bars			196	391	91	164	144	1858	2000						
	NRS 30 XT 028	28	6,2 bars	181	363	169	327	288	3208	3100	576,1	101,6	14,4		
5 bars			164	328	141	265	233	2418	2500						
4 bars			149	298	119	215	189	1858	2000						
	NRS 30 XT 036	36	6,2 bars	140	280	219	423	372	3208	3100	576,1	101,6	14,4		
5 bars			127	253	182	343	302	2418	2500						
4 bars			115	231	154	278	244	1858	2000						
	NRS 30 XT 046	46	6,2 bars	108	217	283	547	482	3208	3100	576,1	101,6	14,4		
5 bars			98	196	236	444	391	2418	2500						
4 bars			89	178	199	359	316	1858	2000						
	NRS 30 XT 054	54	6,2 bars	92	184	334	646	569	3208	3100	576,1	101,6	14,4		
5 bars			83	166	278	524	461	2418	2500						
4 bars			76	151	235	424	373	1858	2000						
	NRS 30 XT 070	70	6,2 bars	71	142	432	836	736	3208	3100	576,1	101,6	14,4		
5 bars			64	128	360	678	597	2418	2500						
4 bars			58	117	304	549	483	1858	2000						
	NRS 30 RV										Dimensions				
PERFORMANCES	Air motor reference	Reduction ratio	Air supply pressure		Speed (rpm)			Torque (N.m)			Max Power (W)	Air cons (NI/min)	A (mm)	Ø (mm)	Weight (kg)
			@ max Power	Free	@ max Power	Max (stall)	Starting torque								
	NRS 30 RV 007	7	6,2 bars	526	1052	46	78	59	2509	3000	587	101,6	14,8		
5 bars			484	967	39	66	50	1976	2400						
4 bars			440	880	32	55	41	1481	1900						
	NRS 30 RV 010	10	6,2 bars	406	813	59	101	76	2509	3000	587	101,6	14,8		
5 bars			374	748	50	86	64	1976	2400						
4 bars			340	680	42	71	53	1481	1900						
	NRS 30 RV 015	15	6,2 bars	266	532	90	154	116	2509	3000	587	101,6	14,8		
5 bars			245	490	77	131	98	1976	2400						
4 bars			223	445	64	108	81	1481	1900						
	NRS 30 RV 021	21	6,2 bars	186	372	129	221	166	2509	3000	587	101,6	14,8		
5 bars			171	342	110	188	141	1976	2400						
4 bars			155	311	91	154	116	1481	1900						
	NRS 30 RV 028	28	6,2 bars	142	284	169	289	217	2509	3000	587	101,6	14,8		
5 bars			130	261	145	246	185	1976	2400						
4 bars			119	237	119	202	152	1481	1900						
	NRS 30 RV 036	36	6,2 bars	110	219	219	375	281	2509	3000	587	101,6	14,8		
5 bars			101	202	187	319	239	1976	2400						
4 bars			92	183	154	262	196	1481	1900						
	NRS 30 RV 046	46	6,2 bars	85	169	283	485	363	2509	3000	587	101,6	14,8		
5 bars			78	156	242	413	309	1976	2400						
4 bars			71	142	200	339	254	1481	1900						
	NRS 30 RV 054	54	6,2 bars	72	144	334	572	429	2509	3000	587	101,6	14,8		
5 bars			66	132	286	487	365	1976	2400						
4 bars			60	120	236	400	300	1481	1900						
	NRS 30 RV 070	70	6,2 bars	55	111	432	740	555	2509	3000	587	101,6	14,8		
5 bars			51	102	370	630	473	1976	2400						
4 bars			46	93	305	518	388	1481	1900						

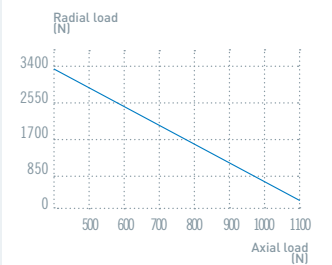
Data indicated in this table have an accuracy of +/- 5%

POWER, SPEED, TORQUE AND AIR CONSUMPTION GRAPHS

NRS 30 XT

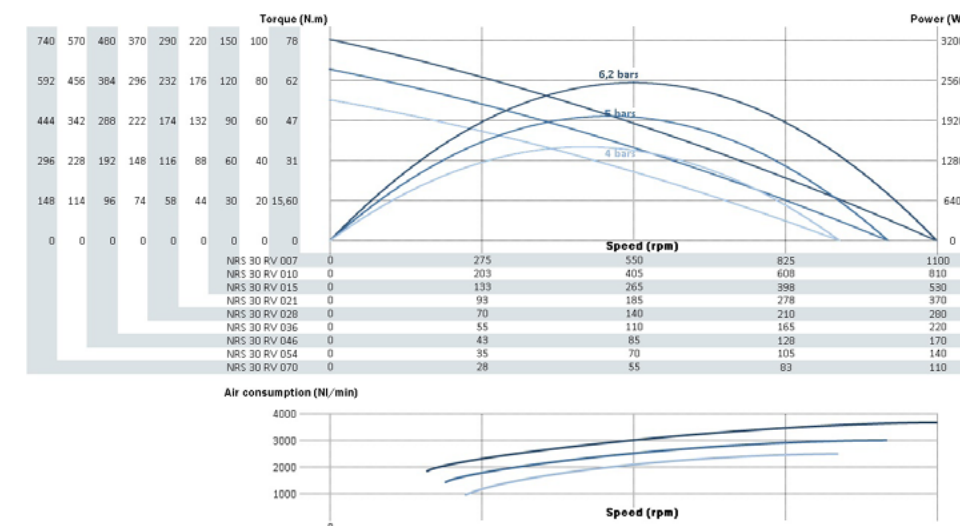


MAXIMUM RADIAL & AXIAL LOAD



NOTES

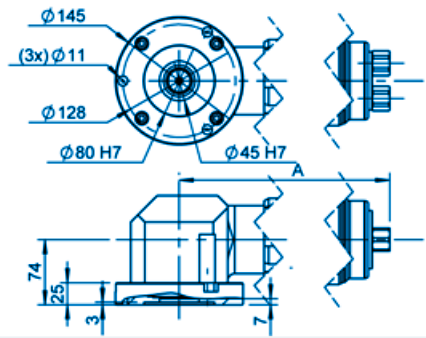
NRS 30 RV



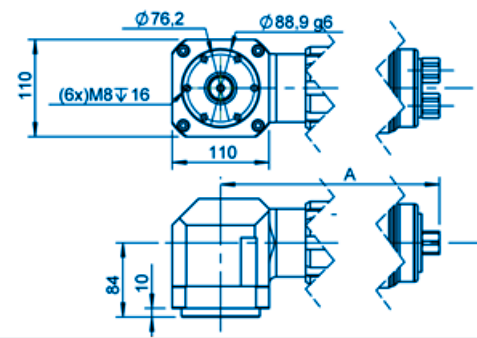
FLANGES & SHAFTS **GROUP IX**

- XRZ 08
- XRZ 10
- XRZ 20
- XRZ 25
- XRS 30

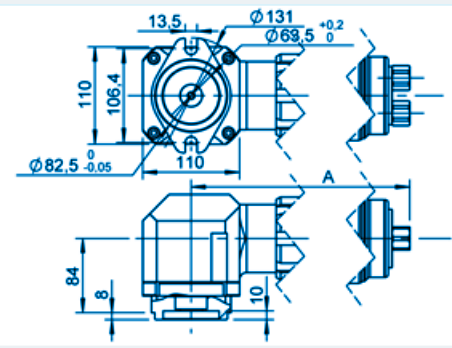
GROUP IX FLANGE A



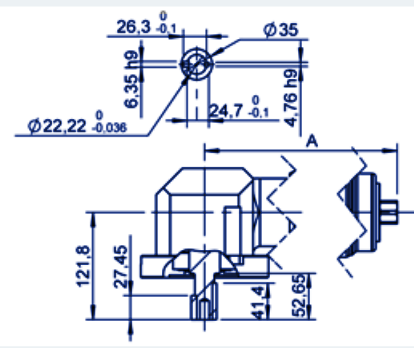
GROUP IX FLANGE B



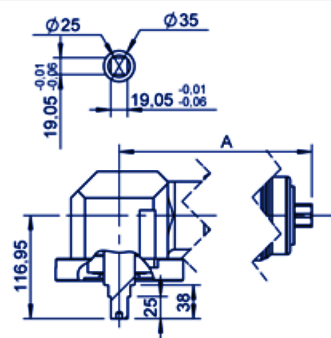
GROUP IX FLANGE H



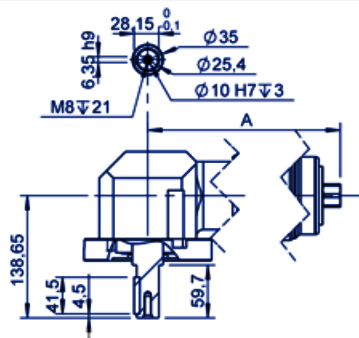
GROUP IX SHAFT 001 - KEYED 07/8"



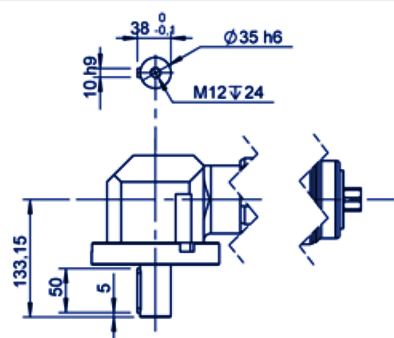
GROUP IX SHAFT 003 - KEYED 03/4"



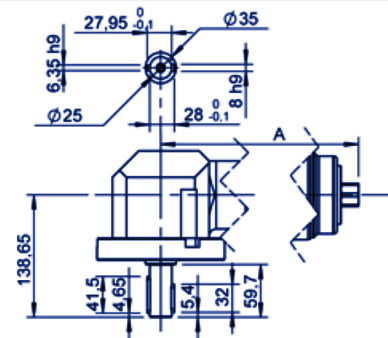
GROUP IX SHAFT CL2 - KEYED 01"



GROUP IX SHAFT CL3 - KEYED 035



GROUP IX SHAFT CL4 - KEYED 025



You didn't find your match ?
Contact us !