



MAX POWER
2700 W
MAX TORQUE
920 Nm

Frequently used in **bolting applications with high torques**, the "25" series air motors are **often equipped with an angle drive head and a high flow control handle** to ensure they have the necessary power.

The "25" series air motors can be found on **lifting applications** with torques approaching 1000 Nm. or on **cutting applications** with speeds above 11000 rpm.

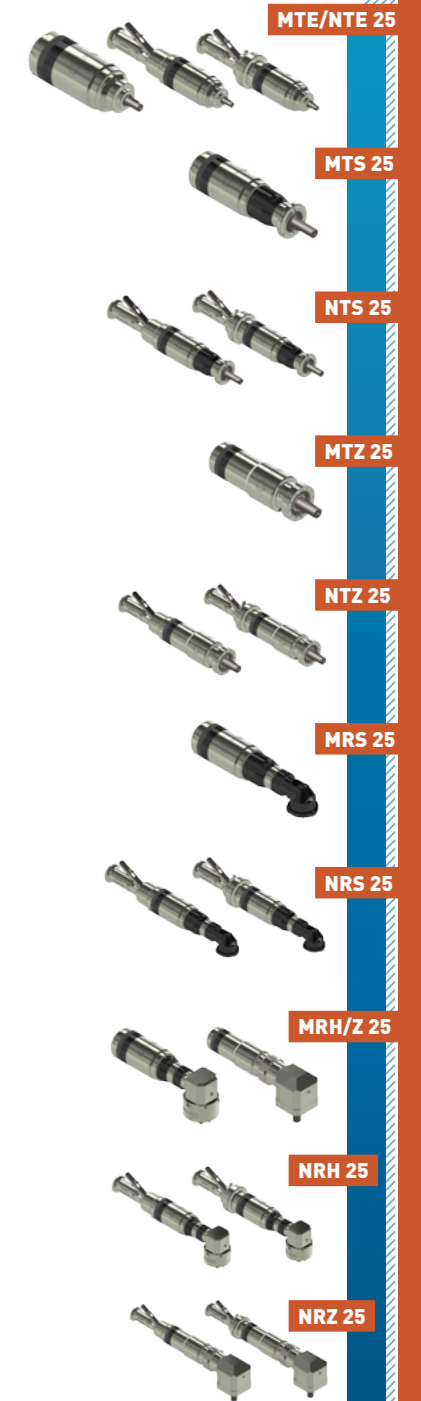
Their high power (2700W) does not prevent them from being **compact and light** (3 to 12 kg. depending on the chosen configuration) and very versatile.



+ ACCESSORIES FOR THIS MOTOR	Reference
Filtration, pressure Regulation and Lubrication unit (FRL)	AC108
Safety Air Treatment Box (SAT Box)	AC126
With Pedal remote control	AC127
With handle remote control	AC128
With remote emergency kill switch	AC129
With remote E-Stop and pedal remote control	AC130
With remote E-Stop and handle remote control	AC131
Maintenance kits	
Maintenance kit for "25" series	AC305
Maintenance kit for lube free "25" series	AC315
Maintenance kit for kit start "25" series	AC325
Exhaust collector kit for "25" series	AC342
modec Oil Co-16	AC149
Control handles	
Safety control handle for non reversible "25" series	AC412
Safety control handle for reversible "25" series	AC414
Progressive control handle for non reversible "25" series	AC407
Progressive control handle for reversible "25" series	AC410
Filters et silencers	
Metallic standard exhaust silencer	AC182
Metallic standard inlet silencer	AC181
Plastic standard exhaust silencer	AC153
Plastic standard inlet silencer	AC183
Heavy duty exhaust silencer	AC157
Heavy duty inlet silencer	AC155
High flow air muffler	AC160
Exhaust silencer filter	AC185
Speed control muffler	AC174

CONNECTION AND LUBRIFICATION					
Ø	Min. fittings Ø		Min. pipe Ø		Lubrication (6,2 bars)
	In	Out	In	Out	
	10 mm / 0,4 In	16 mm / 0,6 In	13 mm / 0,5 In	20 mm / 0,8 In	10 drops / minute

CONVERSION TABLE		
Watt ► Horse power	Newton meter ► Pound feet	Millimeter ► Inch
Watt x 0,001341 = hp	Nm x 0,7376 = lb.ft	mm x 0,03937 = in
Bar ► Pound per square Inch	Normo Liter / minute ► Standard cubic feet per minute	Kilogram ► Pound
Bar x 14,5 = psi	NL / min x 0,03531 = scfm	Kg x 2,205 = lb



MOTORS NTS 25

POWER 2400-2700 W

NTS 25 XT

NTS 25 RV

REDUCTION RATIO

(3 digits)
See table

OPTIONS

(2 digits)
See table

N T S 2 5 X X X X X X X X - X X

ROTATION*

- RT Right (Clockwise)
- LT Left (CCW)
- RV Reversible

FLANGE

(1 to 2 digits)

OUTPUT SHAFT

(1 to 3 digits)

* rotation direction is defined when looking from the back of the motor

PERFORMANCES

NTS 25 XT	Air motor reference	Reduction ratio	Air supply pressure	Speed (rpm)		Torque (N.m)			Max Power (W)	Air cons (NI/min)	Dimensions		
				@ max Power	Free	@ max Power	Max (stall)	Starting torque			A (mm)	Ø (mm)	Weight (kg)
NTS 25 XT 004		4	6,2 bars	1380	2759	19	31	28	2722	2800	369,5	80	4,6
			5 bars	1280	2561	16	26	23	2129	2300			
			4 bars	1185	2371	13	20	18	1644	1800			
NTS 25 XT 005		5	6,2 bars	1199	2397	22	36	32	2722	2800	369,5	80	4,6
			5 bars	1112	2225	18	30	26	2129	2300			
			4 bars	1030	2060	15	24	21	1644	1800			
NTS 25 XT 006		6	6,2 bars	1001	2001	26	43	38	2722	2800	369,5	80	4,6
			5 bars	929	1857	22	36	31	2129	2300			
			4 bars	860	1719	18	28	25	1644	1800			
NTS 25 XT 007		7	6,2 bars	785	1570	33	55	49	2722	2800	369,5	80	4,6
			5 bars	728	1457	28	45	40	2129	2300			
			4 bars	674	1349	23	36	32	1644	1800			
NTS 25 XT 011		11	6,2 bars	548	1096	47	79	70	2722	2800	369,5	80	4,6
			5 bars	509	1017	40	65	57	2129	2300			
			4 bars	471	941	33	51	45	1644	1800			
NTS 25 XT 017		17	6,2 bars	331	662	79	131	115	2722	2800	401,5	80	5,0
			5 bars	307	614	66	108	95	2129	2300			
			4 bars	284	569	55	85	75	1644	1800			
NTS 25 XT 023		23	6,2 bars	250	499	104	174	153	2722	2800	401,5	80	5,0
			5 bars	232	464	88	143	126	2129	2300			
			4 bars	215	429	73	113	99	1644	1800			
NTS 25 XT 031		31	6,2 bars	188	376	138	230	203	2722	2800	401,5	80	5,0
			5 bars	175	349	116	190	167	2129	2300			
			4 bars	162	323	97	150	132	1644	1800			
NTS 25 XT 035		35	6,2 bars	164	327	159	265	233	2722	2800	401,5	80	5,0
			5 bars	152	304	134	218	192	2129	2300			
			4 bars	140	281	112	172	152	1644	1800			

NTS 25 RV	Air motor reference	Reduction ratio	Air supply pressure	Speed (rpm)		Torque (N.m)			Max Power (W)	Air cons (NI/min)	Dimensions		
				@ max Power	Free	@ max Power	Max (stall)	Starting torque			A (mm)	Ø (mm)	Weight (kg)
NTS 25 RV 004		4	6,2 bars	1232	2464	18	29	25	2385	2700	380,5	80	5,0
			5 bars	1152	2303	16	23	21	1915	2200			
			4 bars	1067	2135	13	19	17	1497	1700			
NTS 25 RV 005		5	6,2 bars	1070	2140	21	33	29	2385	2700	380,5	80	5,0
			5 bars	1001	2001	18	27	24	1915	2200			
			4 bars	927	1854	15	22	19	1497	1700			
NTS 25 RV 006		6	6,2 bars	893	1787	25	39	35	2385	2700	380,5	80	5,0
			5 bars	835	1670	22	32	28	1915	2200			
			4 bars	774	1548	18	26	23	1497	1700			
NTS 25 RV 007		7	6,2 bars	701	1402	33	50	44	2385	2700	380,5	80	5,0
			5 bars	655	1310	28	41	36	1915	2200			
			4 bars	607	1214	24	34	30	1497	1700			
NTS 25 RV 011		11	6,2 bars	489	978	47	72	63	2385	2700	380,5	80	5,0
			5 bars	457	915	40	59	52	1915	2200			
			4 bars	424	848	34	48	42	1497	1700			
NTS 25 RV 017		17	6,2 bars	295	591	77	119	105	2385	2700	412,5	80	5,5
			5 bars	276	552	66	98	86	1915	2200			
			4 bars	256	512	56	80	70	1497	1700			
NTS 25 RV 023		23	6,2 bars	223	446	102	158	139	2385	2700	412,5	80	5,5
			5 bars	208	417	88	130	114	1915	2200			
			4 bars	193	386	74	105	93	1497	1700			
NTS 25 RV 031		31	6,2 bars	168	336	136	209	184	2385	2700	412,5	80	5,5
			5 bars	157	314	116	172	151	1915	2200			
			4 bars	146	291	98	140	123	1497	1700			
NTS 25 RV 035		35	6,2 bars	146	292	156	241	212	2352	2700	412,5	80	5,5
			5 bars	137	273	134	198	174	1810	2200			
			4 bars	127	253	113	161	142	1396	1700			
NTS 25 RV 042		42	6,2 bars	122	244	187	289	254	2385	2700	412,5	80	5,5
			5 bars	114	228	161	237	209	1915	2200			
			4 bars	106	211	135	193	170	1497	1700			

Data indicated in this table have an accuracy of +/- 5%

OPTIONS AVAILABLE FOR THE NTS 25 XT

Collected exhaust													
ATEX certification													
Lubrication free													
Kit start													
Code	00	01	02	04	05	07	09	10	13	14	21	22	

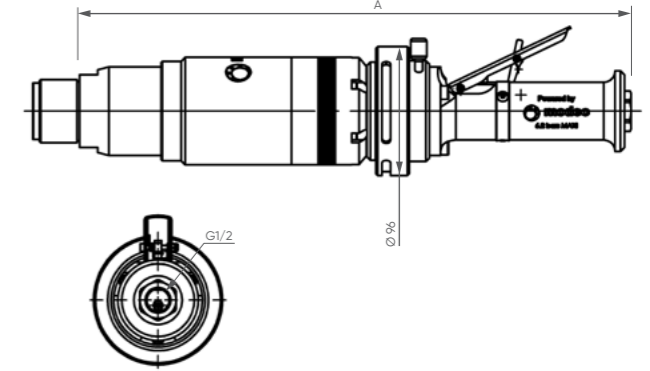
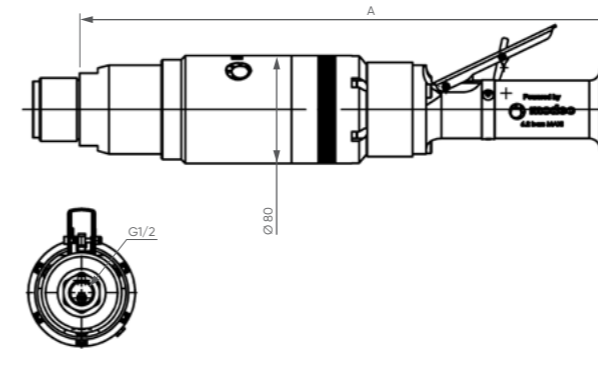
OPTIONS AVAILABLE FOR THE NTS 25 RV

ATEX certification													
Left/Right switch													
Lubrication free													
Kit start													
Code	03	12	16	17	29	30							

LAYOUT

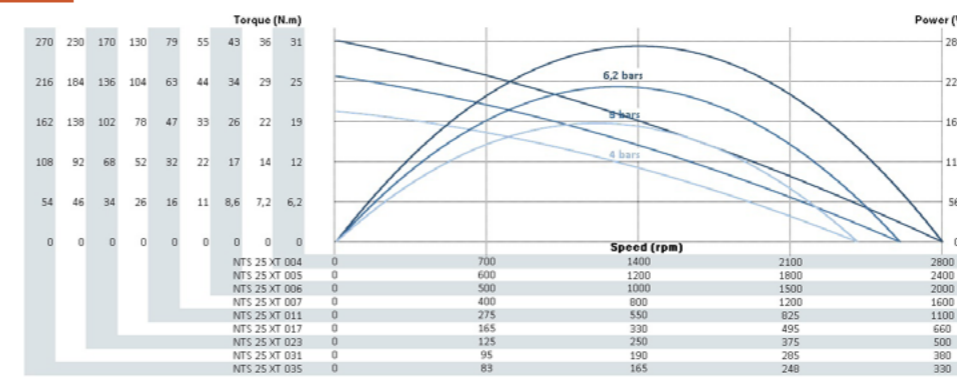
NTS 25 XT

NTS 25 RV

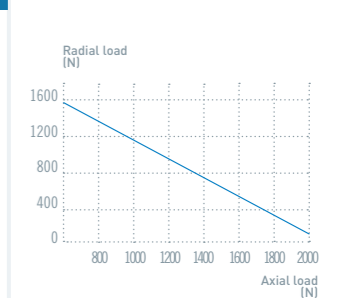


POWER, SPEED, TORQUE AND AIR CONSUMPTION GRAPHS

NTS 25 XT

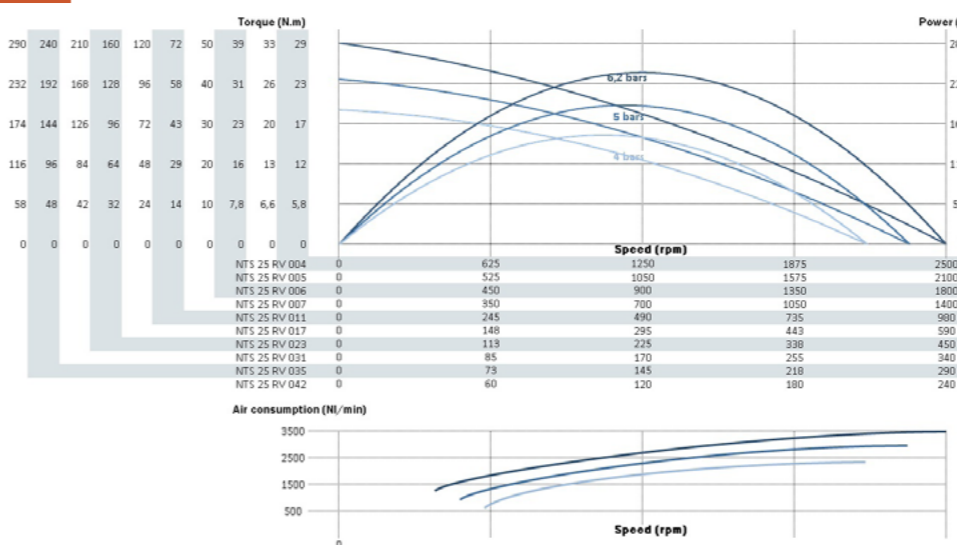


MAXIMUM RADIAL & AXIAL LOAD



for 100 millions revolutions (load applied @ half shaft length)

NTS 25 RV

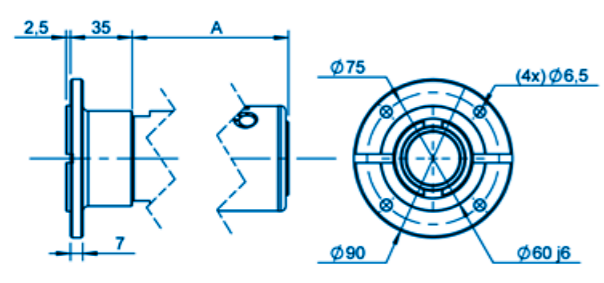


NOTES

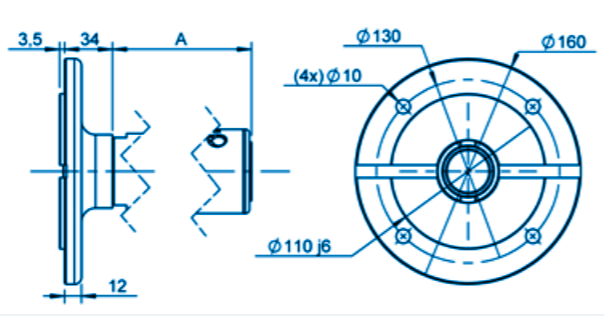
Notes area with horizontal lines for user input.

FLANGES **GROUP IV** (1/3) XTH 05 XTH 07 XTS 08 XTH 08 XTS 10 XTH 10 XTS 20 XTS 25

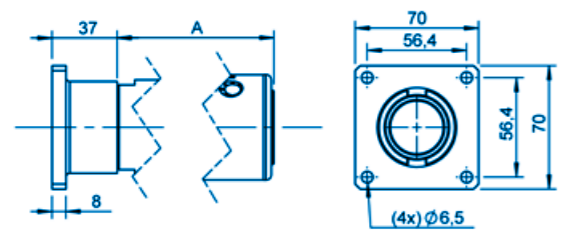
GROUP IV FLANGE AB - IEC63B14



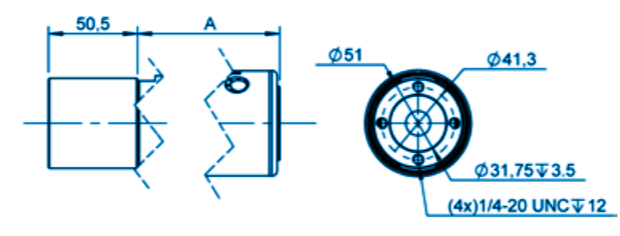
GROUP IV FLANGE AC - IEC71B5



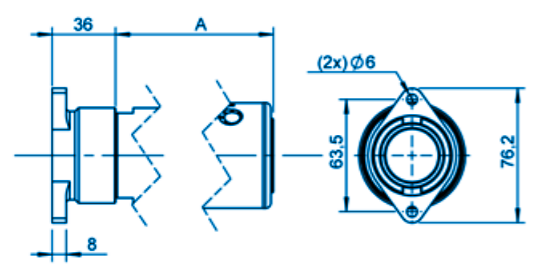
GROUP IV FLANGE AF



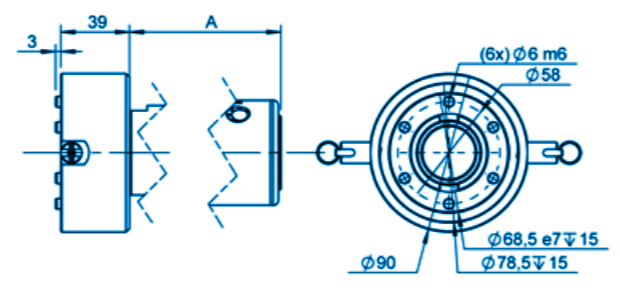
GROUP IV FLANGE AH



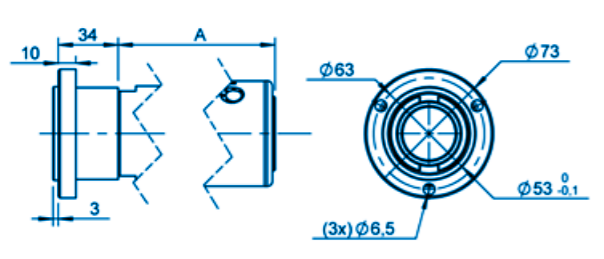
GROUP IV FLANGE AS



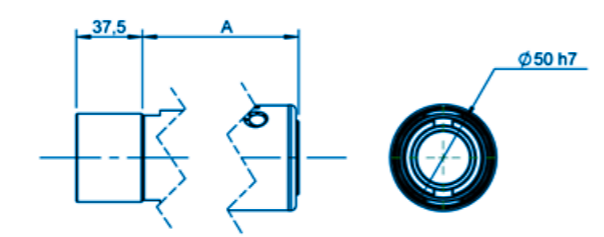
GROUP IV FLANGE AX - ARP



GROUP IV FLANGE B

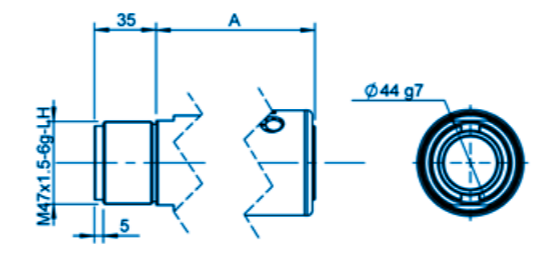


GROUP IV FLANGE B0

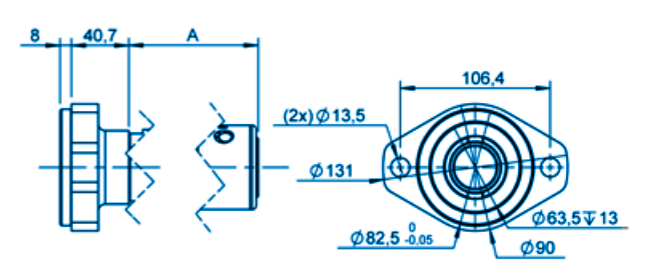


FLANGES **GROUP IV** (2/3) XTH 05 XTH 07 XTS 08 XTH 08 XTS 10 XTH 10 XTS 20 XTS 25

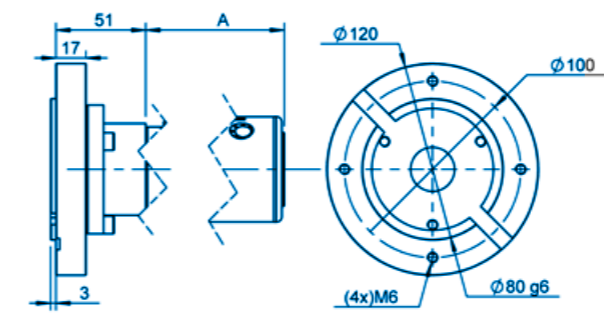
GROUP IV FLANGE F



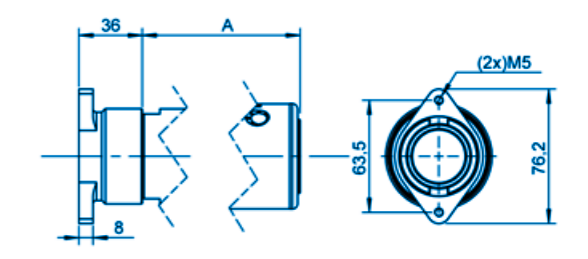
GROUP IV FLANGE FH



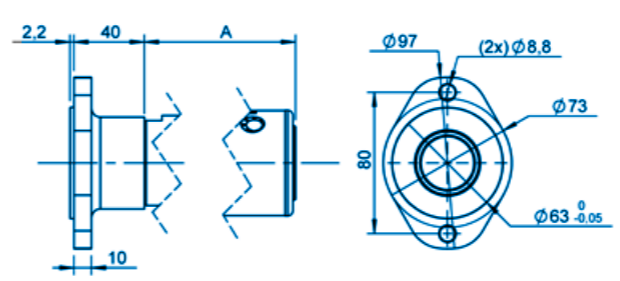
GROUP IV FLANGE FJ - IEC80B14



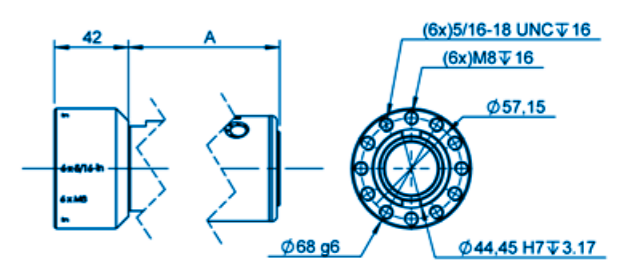
GROUP IV FLANGE J



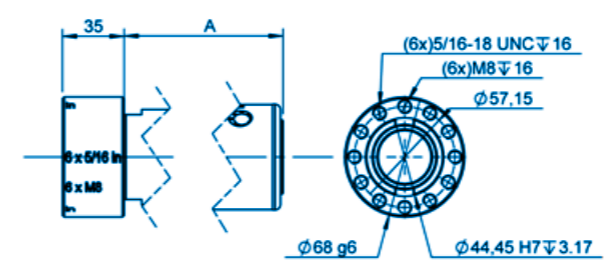
GROUP IV FLANGE L



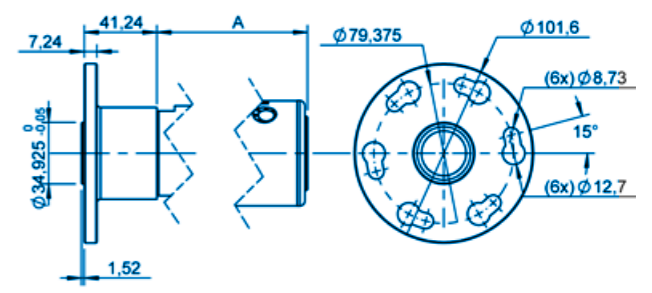
GROUP IV FLANGE M



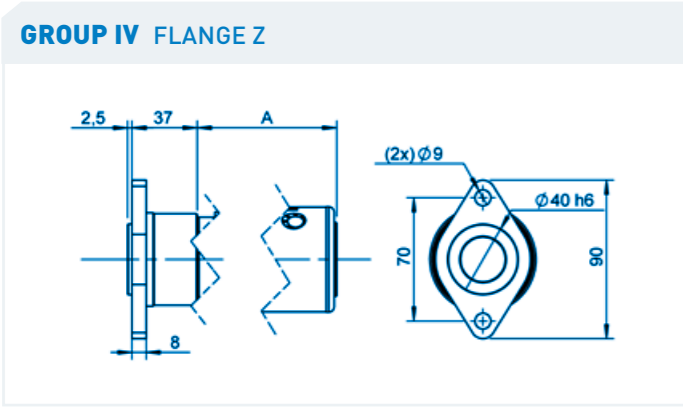
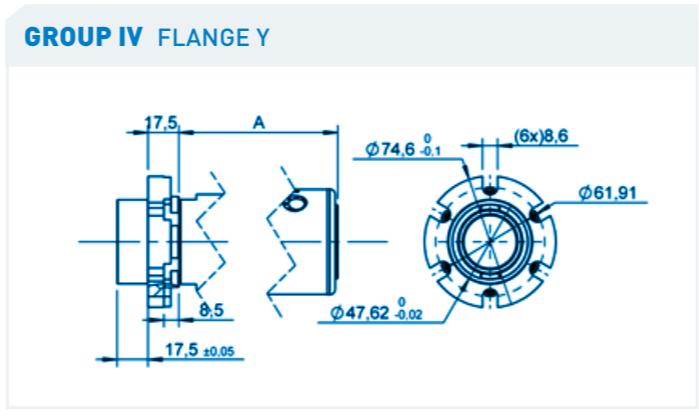
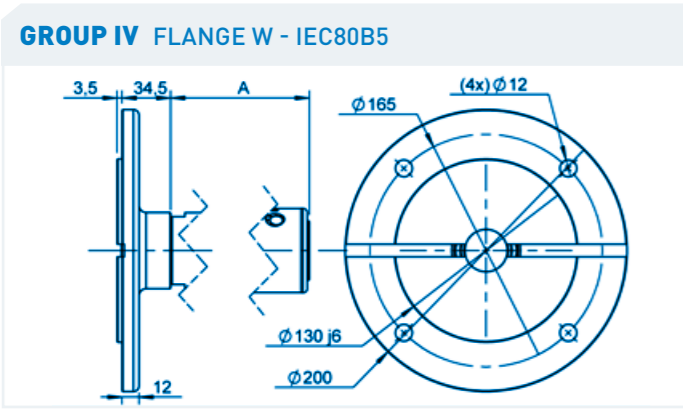
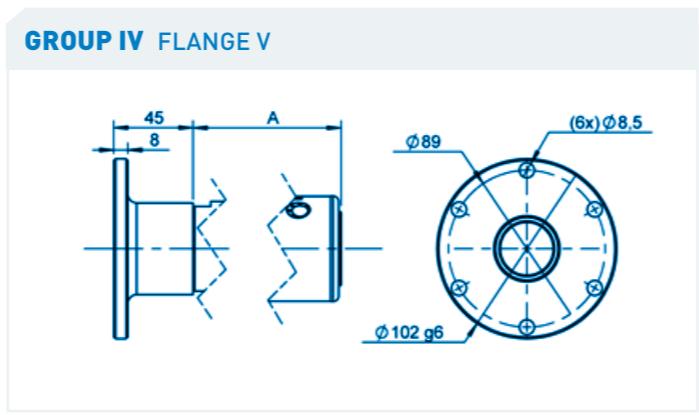
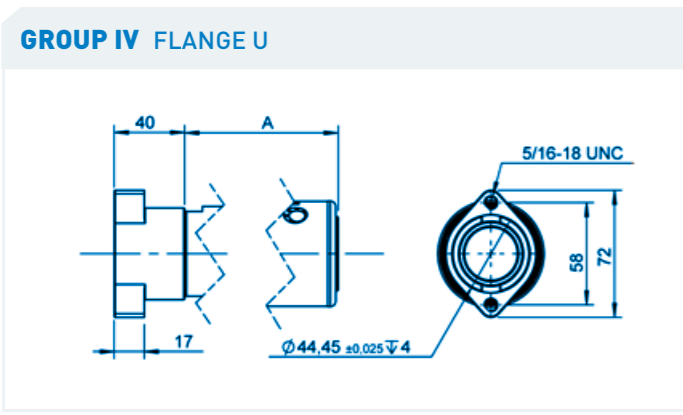
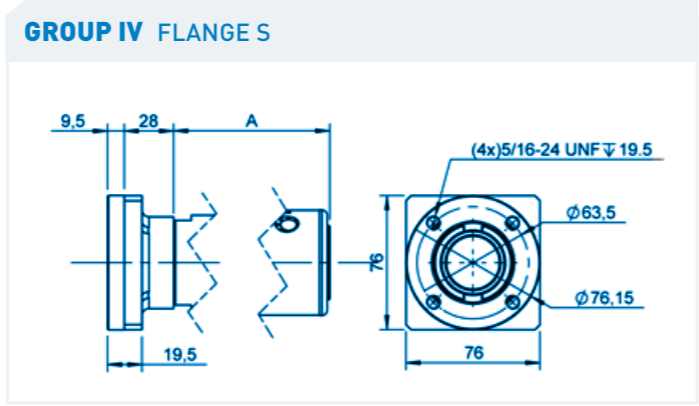
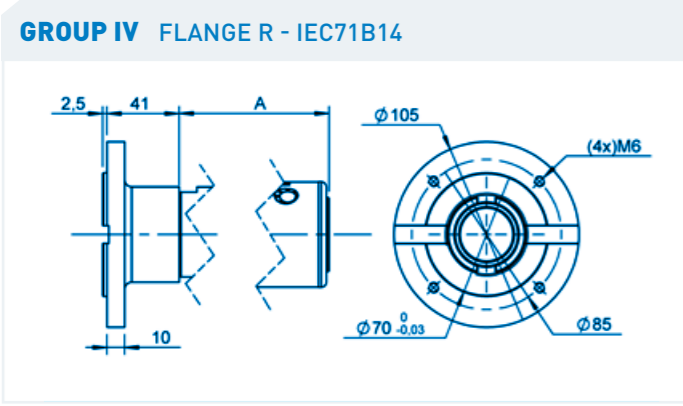
GROUP IV FLANGE N



GROUP IV FLANGE Q

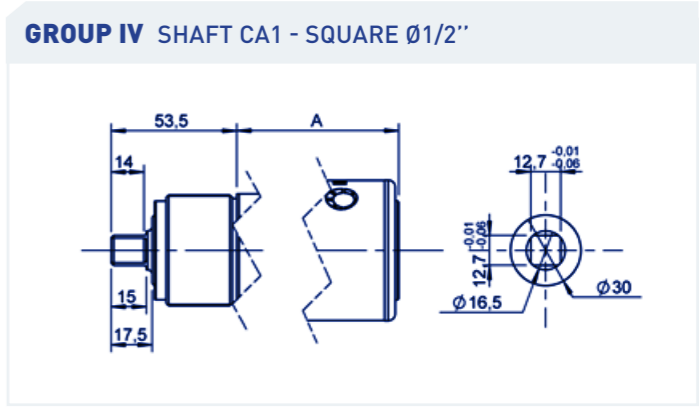
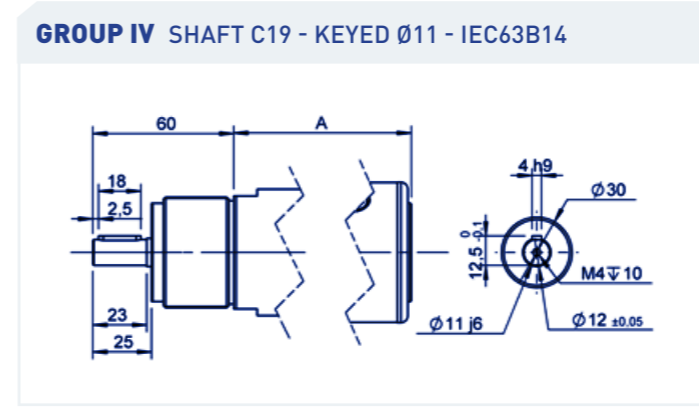
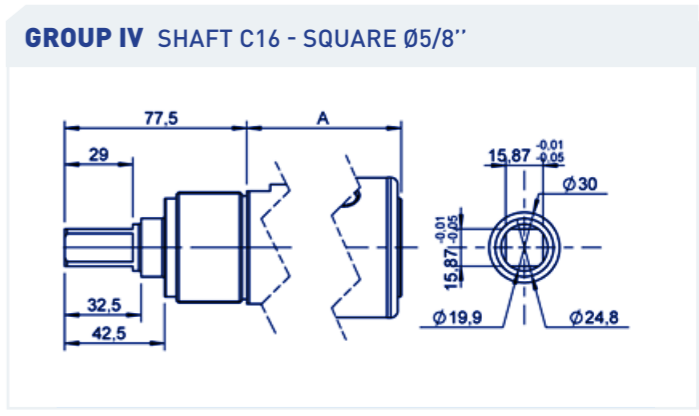
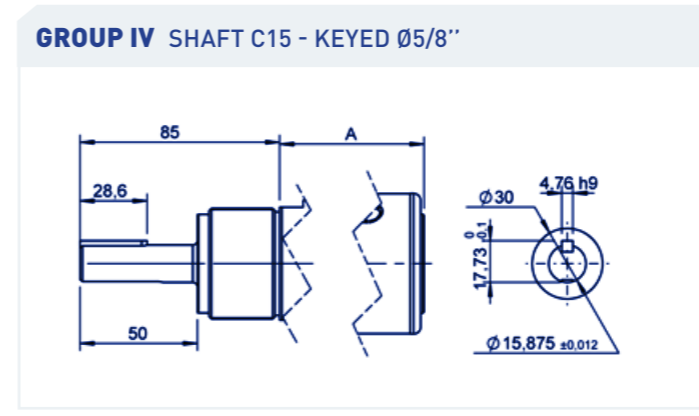
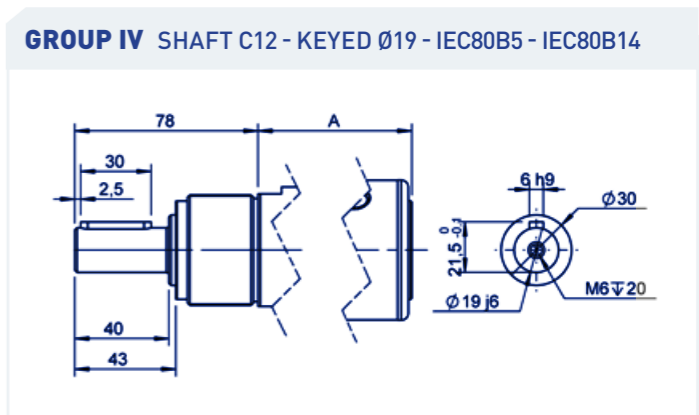
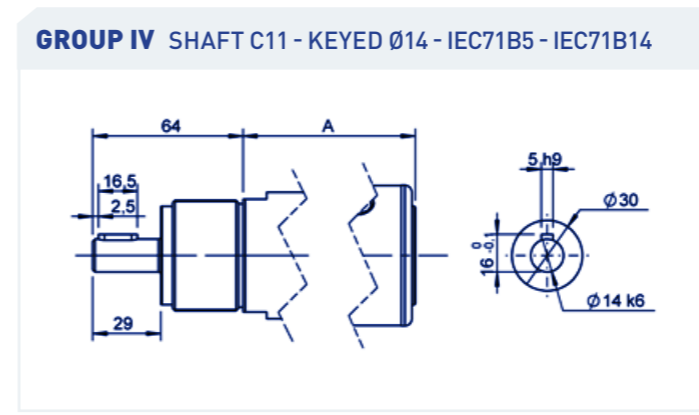
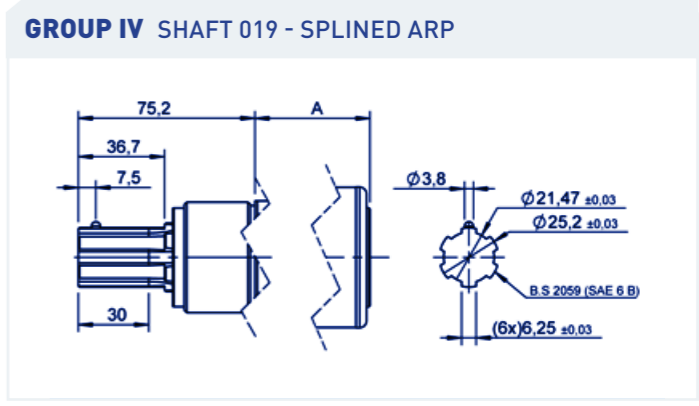
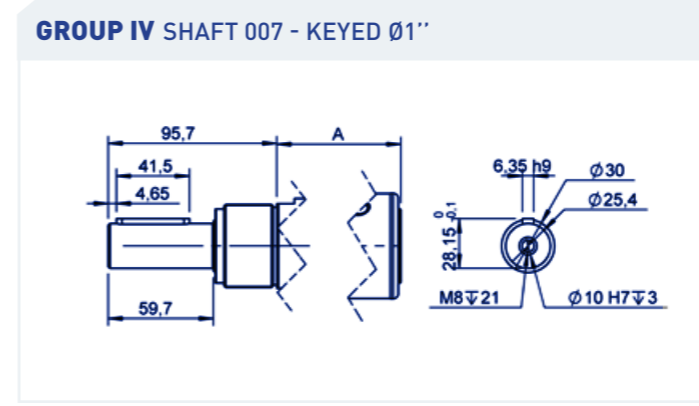


FLANGES **GROUP IV** (3/3) XTH 05 XTH 07 XTS 08 XTH 08 XTS 10 XTH 10 XTS 20 XTS 25

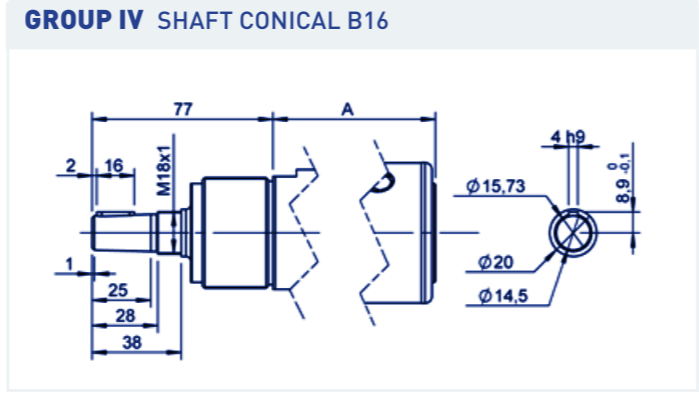
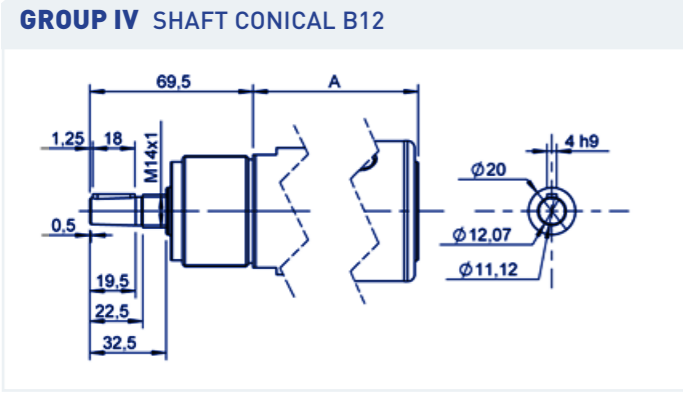
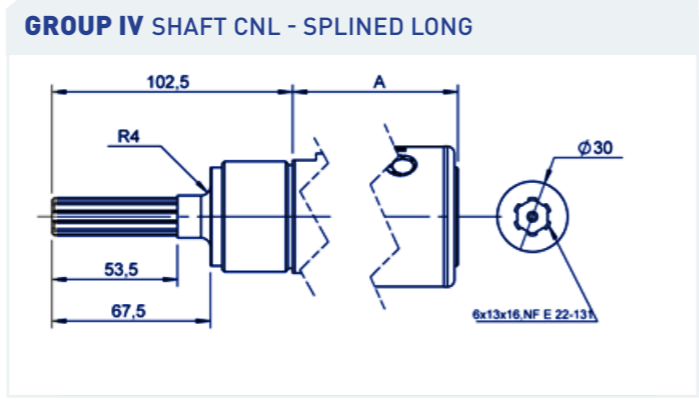
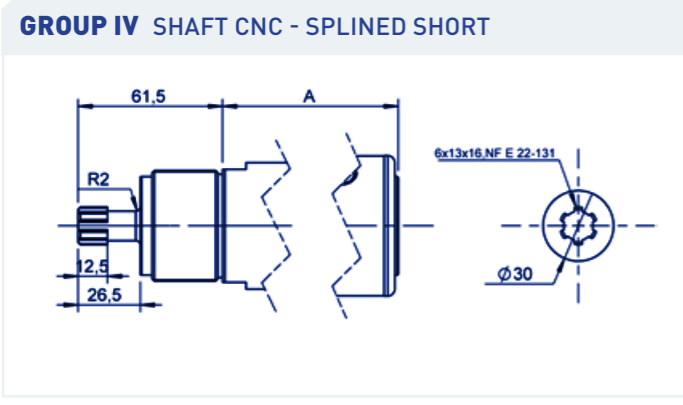
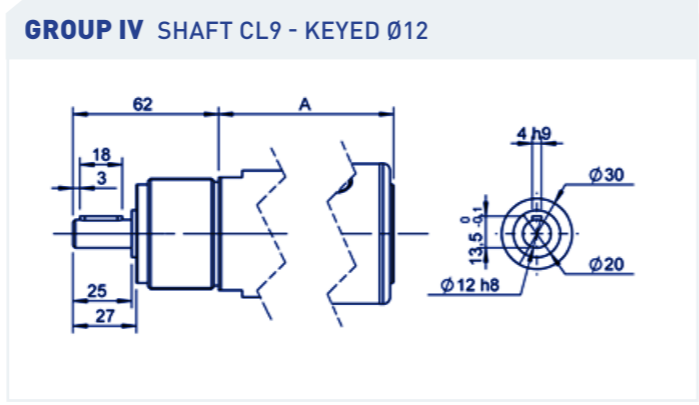
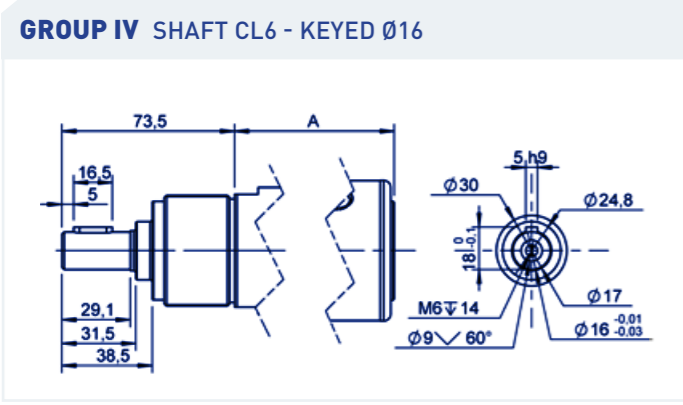
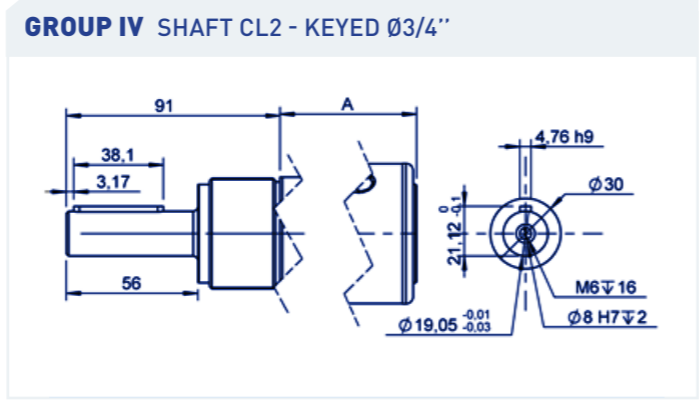
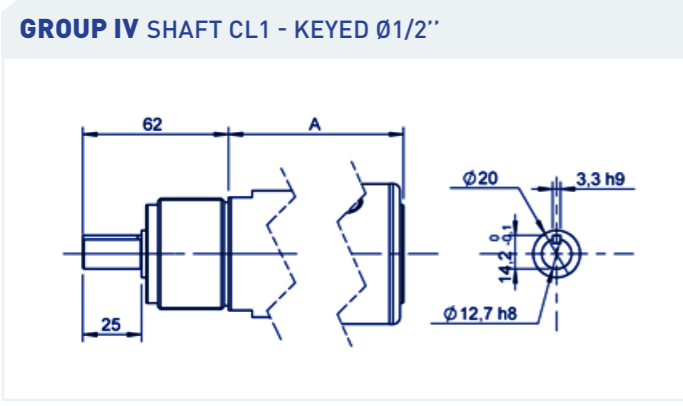


You didn't find your match ?
Contact us !

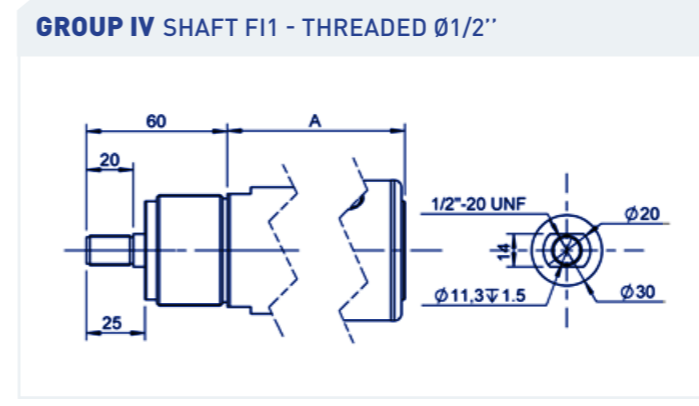
SHAFTS **GROUP IV** (1/3) XTH 05 XTH 07 XTS 08 XTH 08 XTS 10 XTH 10 XTS 20 XTS 25



SHAFTS **GROUP IV** (2/3) XTH 05 XTH 07 XTS 08 XTH 08 XTS 10 XTH 10 XTS 20 XTS 25



SHAFTS **GROUP IV** (3/3) XTH 05 XTH 07 XTS 08 XTH 08 XTS 10 XTH 10 XTS 20 XTS 25



You didn't find your match ?
Contact us !