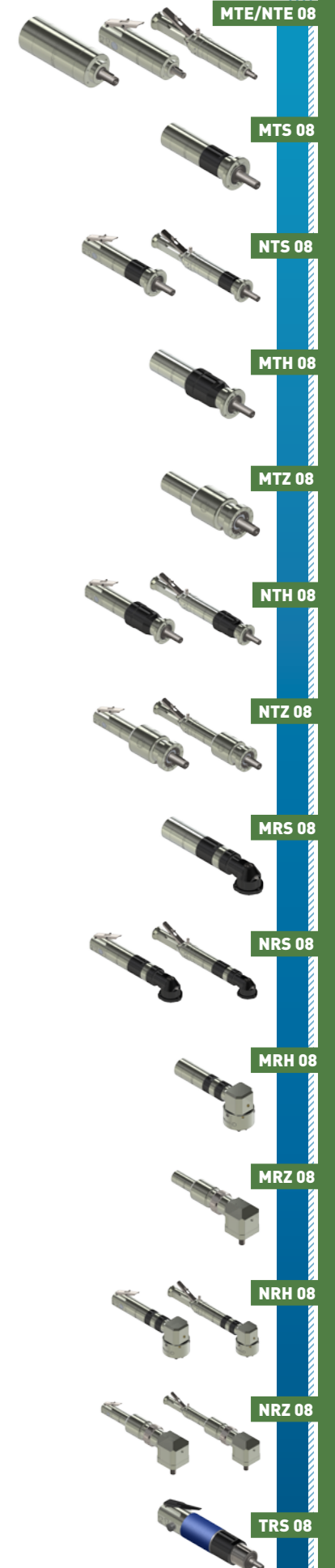


MAX POWER
710 W
MAX TORQUE
730 Nm

"08" series air motors exist in many versions, straight shaft or right angle drive, with or without integrated control handle, and with many different flanges and output shafts available as standard.

That air motor is also available with 4 types of integrated gearboxes, enabling it to adapt to many different applications, whether high speed is required (Easy duty), good balance between speed and torque (Standard duty) or high torque and robustness is mandatory (Heavy duty and Super Heavy duty).

With a maximum power of 700 W, it is one of the most versatile air motors in the range.



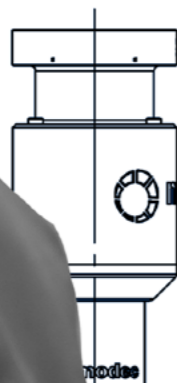
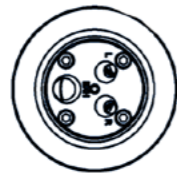
+ ACCESSORIES FOR THIS MOTOR	Reference
Filtration, pressure Regulation and Lubrication unit (FRL)	AC107
Safety Air Treatment Box (SAT Box)	AC118
With Pedal remote control	AC119
With handle remote control	AC120
With remote emergency kill switch	AC125
With remote E-Stop and pedal remote control	AC121
With remote E-Stop and handle remote control	AC122
Maintenance kits	
Maintenance kit for "08" series	AC302
Maintenance kit for lube free "08" series	AC312
Maintenance kit for kit start "08" series	AC322
Control handles	
Safety control handle for non reversible motor	AC415
Safety control handle for reversible motor	AC416
Progressive control handle for non reversible motor	AC417
Progressive control handle for reversible motor	AC418
modec Oil Co-16	AC149
Filters and silencers	
Metallic standard exhaust silencer	AC181
Metallic standard inlet silencer	AC180
Plastic standard exhaust silencer	AC183
Plastic standard inlet silencer	AC150
Heavy duty exhaust silencer	AC155
Heavy duty inlet silencer	AC154
Speed control muffler	AC172
High flow air muffler	AC158
Exhaust silencer filter	AC165

CONNECTION AND LUBRICATION

	Min. fittings Ø		Min. pipe Ø		Lubrication (6,2 bars)
	In	Out	In	Out	
	7 mm / 0,3 In	10 mm / 0,4 In	9 mm / 0,4 In	13 mm / 0,5 In	4 drops / minute

CONVERSION TABLE

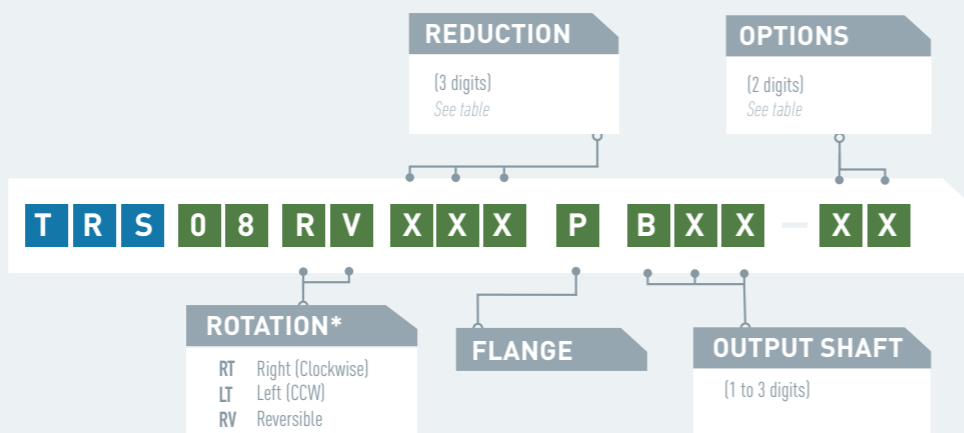
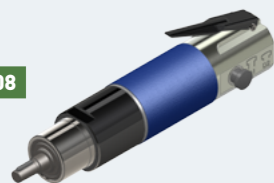
Watt ► Horse power	Newton meter ► Pound feet	Millimeter ► Inch
Watt x 0,001341 = hp	Nm x 0,7376 = lb.ft	mm x 0,03937 = in
Bar ► Pound per square Inch	Normo Liter / minute ► Standard cubic feet per minute	Kilogram ► Pound
Bar x 14,5 = psi	NL / min x 0,03531 = scfm	Kg x 2,205 = lb



TAPPING MACHINE TRS 08

POWER 460 W

TRS 08



* rotation direction is defined when looking from the back of the motor

PERFORMANCES

TRS 08 reference	Reduction ratio	Air supply pressure	Speed (rpm)		Torque (N.m)			Max Power (W)	Air cons (Nl/min)	Dimensions		
			@ max Power	Free	@ max Power	Max (stall)	Starting torque			A (mm)	Ø (mm)	Weight (kg)
			TRS 08 RV 005	5	6,2 bars	1627	3239			2,7	3,9	3,6
TRS 08 RV 006	6	6,2 bars	1475	2950	2,3	3,2	2,9	356	750	176	54	2
		4 bars	1347	2694	1,9	2,6	2,4	264	600			
		5 bars	1359	2704	3,2	4,7	4,3	457	950			
TRS 08 RV 007	7	6,2 bars	1231	2463	2,8	3,9	3,5	356	750	176	54	2
		4 bars	1124	2249	2,2	3,1	2,9	264	600			
		5 bars	1066	2121	4,1	6,0	5,5	457	950			
TRS 08 RV	11	6,2 bars	966	1932	3,5	5,0	4,4	356	750	176	54	2
		4 bars	882	1764	2,9	4,0	3,7	264	600			
		5 bars	744	1481	5,9	8,6	7,9	457	950			
TRS 08 RV 023	23	6,2 bars	674	1349	5,0	7,1	6,3	356	750	203	54	2,3
		4 bars	616	1231	4,1	5,7	5,3	264	600			
		5 bars	339	675	13	19	17	457	950			
TRS 08 RV 028	28	6,2 bars	307	615	11	16	14	356	750	203	54	2,3
		4 bars	281	561	9,0	13	12	264	600			
		5 bars	283	563	15	23	21	457	950			
TRS 08 RV 035	35	6,2 bars	257	513	13	19	17	356	750	203	54	2,3
		4 bars	234	468	11	15	14	264	600			
		5 bars	222	442	20	29	26	457	950			
TRS 08 RV 042	42	6,2 bars	201	403	17	24	21	356	750	203	54	2,3
		4 bars	184	368	14	19	18	264	600			
		5 bars	185	369	24	35	32	457	950			
TRS 08 RV 054	54	6,2 bars	168	336	20	28	25	356	750	203	54	2,3
		4 bars	153	307	16	23	21	264	600			
		5 bars	145	289	30	44	40	457	950			
TRS 08 RV 060	60	6,2 bars	132	264	26	36	32	356	750	203	54	2,3
		4 bars	120	241	21	29	27	264	600			
		5 bars	129	258	34	49	45	457	950			
TRS 08 RV 077	77	6,2 bars	117	235	29	41	36	356	750	203	54	2,3
		4 bars	107	214	24	33	30	264	600			
		5 bars	102	202	43	63	58	457	950			
TRS 08 RV 111	111	6,2 bars	92	184	37	52	46	356	750	227	54	2,8
		4 bars	84	168	30	42	39	264	600			
		5 bars	71	141	62	91	83	457	950			
TRS 08 RV 132	132	6,2 bars	64	128	53	75	67	356	750	227	54	2,8
		4 bars	58	117	43	60	56	264	600			
		5 bars	59	117	74	108	100	457	950			
TRS 08 RV 159	159	6,2 bars	53	107	64	90	80	356	750	227	54	2,8
		4 bars	49	98	52	72	67	264	600			
		5 bars	49	98	89	130	120	457	950			
TRS 08 RV 202	202	6,2 bars	45	89	76	107	95	356	750	227	54	2,8
		4 bars	41	81	62	87	80	264	600			
		5 bars	39	77	113	166	152	457	950			
			35	70	97	137	122	356	750			
			32	64	79	110	102	264	600			

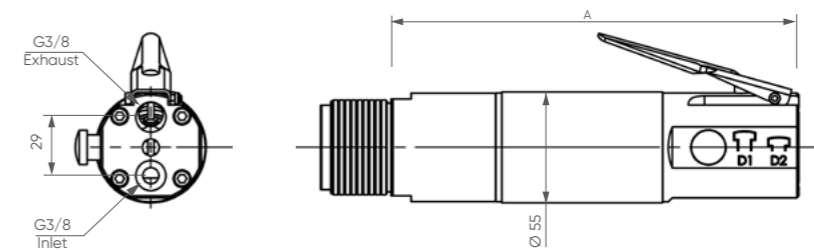
Data indicated in this table have an accuracy of +/- 5%

OPTIONS AVAILABLE FOR THE TRS 08

ATEX certification		▶			▶	▶
Left/Right switch	▶	▶	▶	▶	▶	▶
Lubrication free			▶			
Kit start			▶			▶
Code	03	12	16	17	29	30

LAYOUT

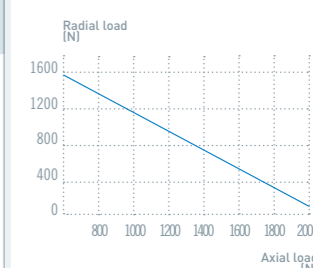
TRS 08



TAPPING CAPABILITY

TRS 08		M3	M4	M5	M6	M8	M10	M12	M14	M16	M18	M20
TRS 08 RV 005	Aluminum											
	Steel <70kg											
TRS 08 RV 006	Aluminum											
	Steel <70kg											
TRS 08 RV 007	Aluminum											
	Steel <70kg											
TRS 08 RV 011	Aluminum											
	Steel <70kg											
TRS 08 RV 023	Aluminum											
	Steel <70kg											
TRS 08 RV 028	Aluminum											
	Steel <70kg											
TRS 08 RV 035	Aluminum											
	Steel <70kg											
TRS 08 RV 042	Aluminum											
	Steel <70kg											
TRS 08 RV 054	Aluminum											
	Steel <70kg											
TRS 08 RV 060	Aluminum											
	Steel <70kg											
TRS 08 RV 077	Aluminum											
	Steel <70kg											
TRS 08 RV 111	Aluminum											
	Steel <70kg											
TRS 08 RV 132	Aluminum											
	Steel <70kg											
TRS 08 RV 159	Aluminum											
	Steel <70kg											
TRS 08 RV 202	Aluminum											
	Steel <70kg											

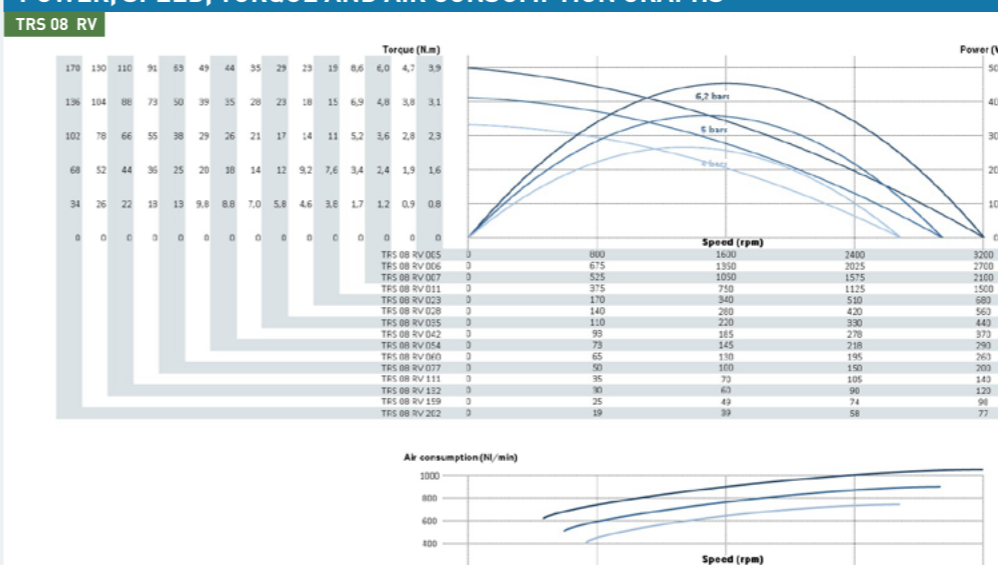
MAXIMUM RADIAL & AXIAL LOAD



for 100 millions revolutions (load applied @ half shaft length)

NOTES

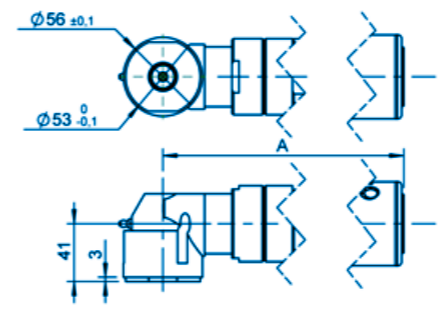
POWER, SPEED, TORQUE AND AIR CONSUMPTION GRAPHS



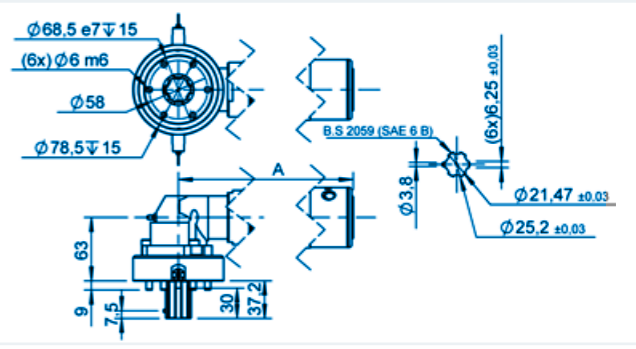
FLANGES **GROUP VII**

- XRH 05
- XRH 07
- XRS 08
- XRS 10
- XRS 20
- XRS 25

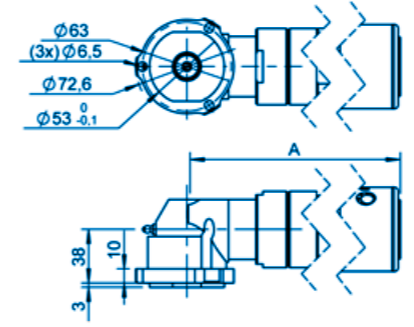
GROUP VII FLANGE AF



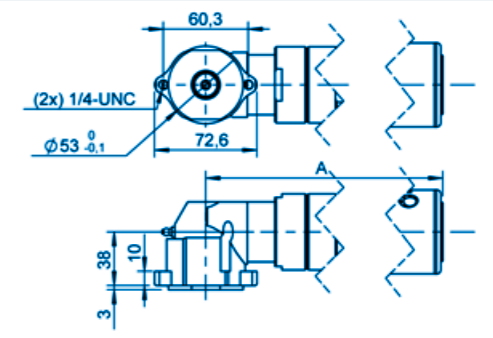
GROUP VII FLANGE AG WITH SHAFT 013



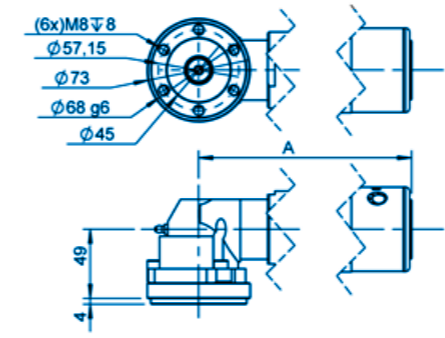
GROUP VII FLANGE B



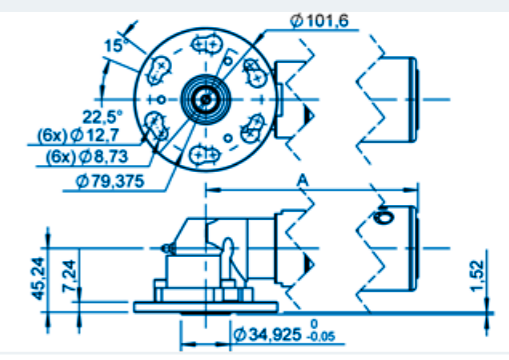
GROUP VII FLANGE E



GROUP VII FLANGE M



GROUP VII FLANGE Q



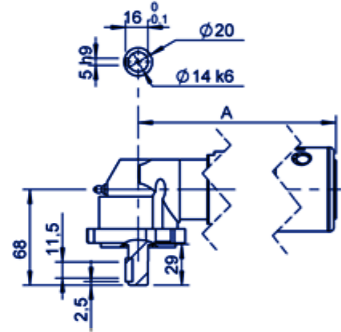
You didn't find your match ?

Contact us !

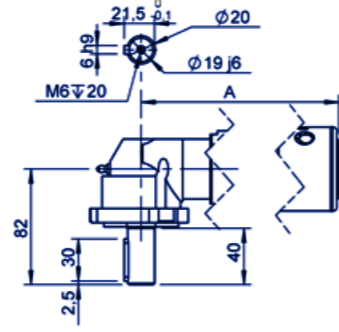
SHAFTS **GROUP VII** (1/2)

- XRH 05
- XRH 07
- XRS 08
- XRS 10
- XRS 20
- XRS 25

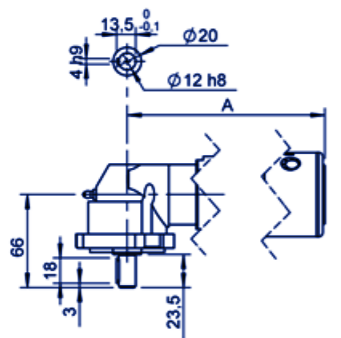
GROUP VII SHAFT 021 - KEYED Ø14



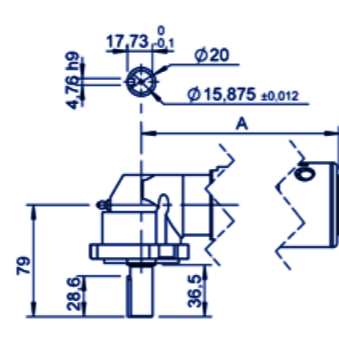
GROUP VII SHAFT C12 - KEYED Ø19



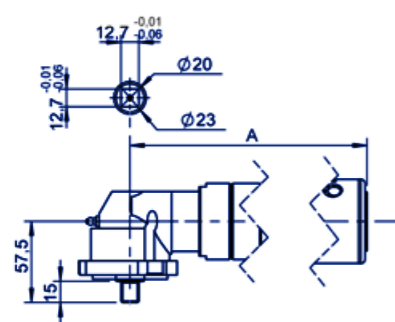
GROUP VII SHAFT C13 - KEYED Ø12



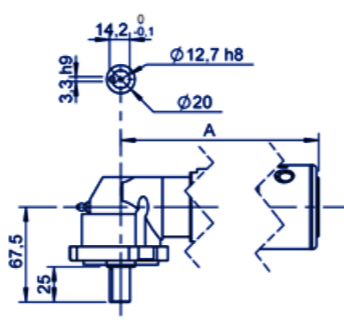
GROUP VII SHAFT C14 - KEYED Ø5/8"



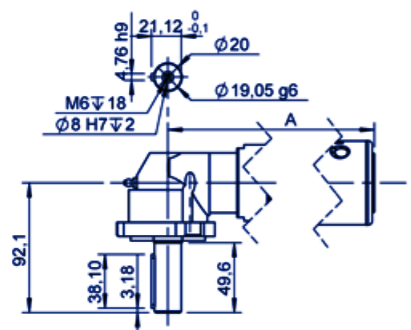
GROUP VII SHAFT CA1 - SQUARE 1/2"



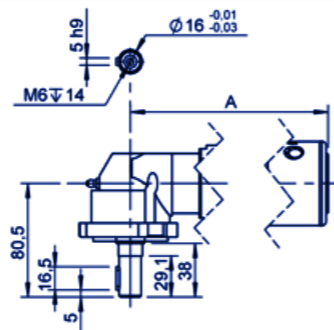
GROUP VII SHAFT CL1 - KEYED Ø1/2"



GROUP VII SHAFT CL2 - KEYED Ø3/4"



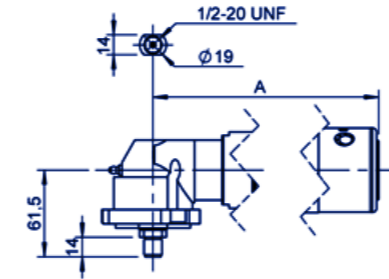
GROUP VII SHAFT CL6 - KEYED Ø16



SHAFTS **GROUP VII** (2/2)

- XRH 05
- XRH 07
- XRS 08
- XRS 10
- XRS 20
- XRS 25

GROUP VII SHAFT FI1 - THREADED Ø1/2"



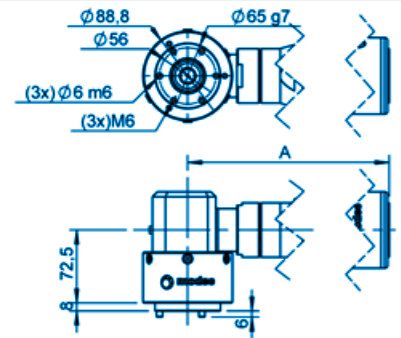
You didn't find your match ?

Contact us !

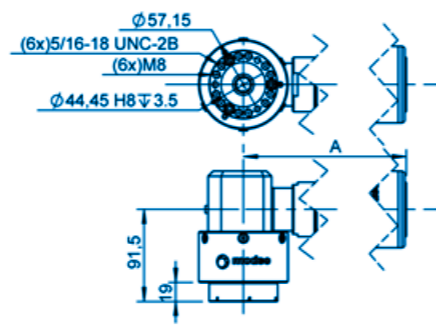
FLANGES **GROUP VIII**

- XRZ 05
- XRZ 07
- XRH 08
- XRH 10
- XRH 20
- XRH 25

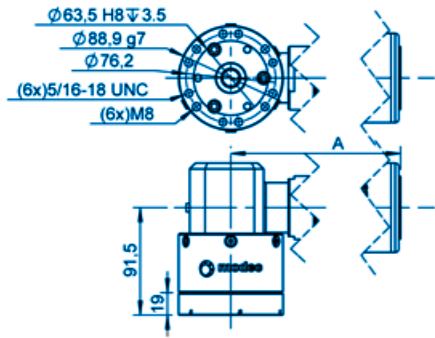
GROUP VIII FLANGE AA



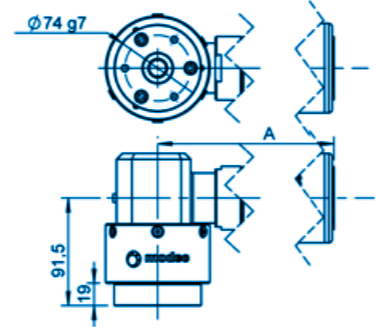
GROUP VIII FLANGE AB



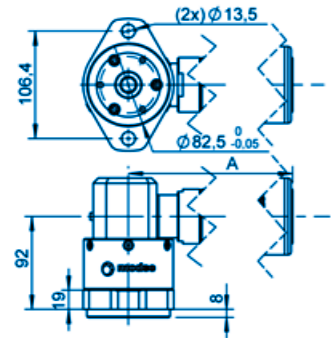
GROUP VIII FLANGE AC



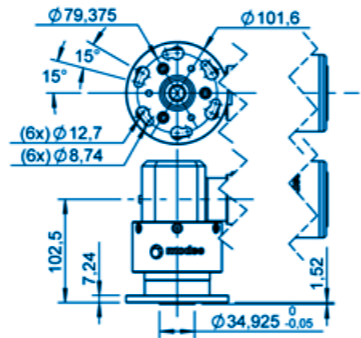
GROUP VIII FLANGE AD



GROUP VIII FLANGE AE



GROUP VIII FLANGE Q



You didn't find your match ?

Contact us !