

MOTORS NRH 25 / NRZ 25

POWER 2300-2700 W



NRH 25 XT

NRH 25 RV

NRZ 25 XT

NRZ 25 RV

REDUCTION RATIO

(3 digits)
See table

OPTIONS

(2 digits)
See table

N R H/Z 2 5 X

ROTATION*

- RT Right (Clockwise)
- LT Left (CCW)
- RV Reversible

FLANGE

(1 to 2 digits)

OUTPUT SHAFT

(1 to 3 digits)

* rotation direction is defined when looking from the back of the motor

PERFORMANCES

Air motor reference	Reduction ratio	Air supply pressure	Speed (rpm)		Torque (N.m)			Max Power (W)	Air cons (Nl/min)	Dimensions		
			@ max Power	Free	@ max Power	Max (stall)	Starting torque			A (mm)	Ø (mm)	Weight (kg)
			NRH 25 XT 041	41	6,2 bars 5 bars 4 bars	140 131 122	279 262 244			183 219 173	302 248 196	265 219 173
NRH 25 XT 047	47	6,2 bars 5 bars 4 bars	121 114 106	243 228 212	210 171 139	347 286 226	305 252 199	2672 2036 1543	2800 2300 1800	461,5	80	7,7
NRH 25 XT 056	56	6,2 bars 5 bars 4 bars	101 95 89	203 190 177	252 205 166	416 343 271	366 301 238	2672 2036 1543	2800 2300 1800	461,5	80	7,7
NRH 25 XT 071	71	6,2 bars 5 bars 4 bars	80 75 70	159 149 139	321 261 212	530 437 345	466 384 304	2672 2036 1543	2800 2300 1800	461,5	80	7,7
NRZ 25 XT 107	107	6,2 bars 5 bars 4 bars	53 50 46	106 99 92	483 392 319	797 657 519	701 578 457	2672 2036 1543	2800 2300 1800	556,2	88,8	13,2

Air motor reference	Reduction ratio	Air supply pressure	Speed (rpm)		Torque (N.m)			Max Power (W)	Air cons (Nl/min)	Dimensions		
			@ max Power	Free	@ max Power	Max (stall)	Starting torque			A (mm)	Ø (mm)	Weight (kg)
			NRH 25 RV 041	41	6,2 bars 5 bars 4 bars	126 117 111	251 235 221			172 140 112	244 203 168	214 178 148
NRH 25 RV 047	47	6,2 bars 5 bars 4 bars	109 102 96	218 204 192	197 161 129	281 233 194	247 205 170	2256 1717 1299	2700 2200 1700	472,5	80	8,1
NRH 25 RV 056	56	6,2 bars 5 bars 4 bars	91 85 80	182 170 160	237 193 155	336 280 232	296 246 204	2256 1717 1299	2700 2200 1700	472,5	80	8,1
NRH 25 RV 071	71	6,2 bars 5 bars 4 bars	71 67 63	143 134 126	302 246 197	428 356 296	377 314 260	2256 1717 1299	2700 2200 1700	472,5	80	8,1
NRZ 25 RV 107	107	6,2 bars 5 bars 4 bars	48 44 42	95 89 84	453 369 297	644 536 445	567 472 391	2256 1717 1299	2700 2200 1700	567,2	88,8	13,6
NRZ 25 RV 154	154	6,2 bars 5 bars 4 bars	33 31 29	66 62 58	650 529 425	923 768 637	812 676 561	2256 1717 1299	2700 2200 1700	567,2	88,8	13,6

Data indicated in this table have an accuracy of +/- 5%

OPTIONS AVAILABLE FOR THE NRH /Z 25 XT

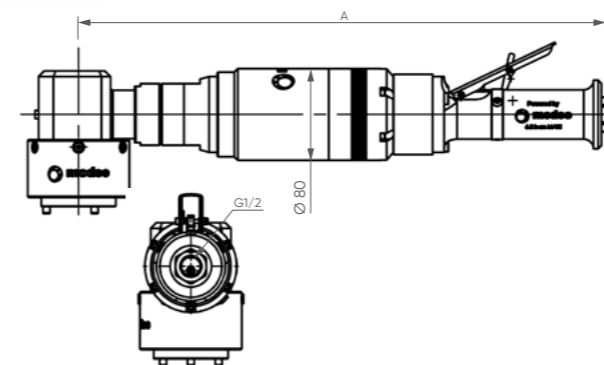
Collected exhaust	<input type="checkbox"/>	<input type="checkbox"/>	<input type="checkbox"/>	<input type="checkbox"/>	<input type="checkbox"/>	<input type="checkbox"/>	<input type="checkbox"/>	<input type="checkbox"/>	<input type="checkbox"/>			
ATEX certification	<input type="checkbox"/>	<input type="checkbox"/>	<input type="checkbox"/>	<input type="checkbox"/>	<input type="checkbox"/>	<input type="checkbox"/>	<input type="checkbox"/>	<input type="checkbox"/>	<input type="checkbox"/>			
Lubrication free	<input type="checkbox"/>	<input type="checkbox"/>	<input type="checkbox"/>	<input type="checkbox"/>	<input type="checkbox"/>	<input type="checkbox"/>	<input type="checkbox"/>	<input type="checkbox"/>	<input type="checkbox"/>			
Kit start	<input type="checkbox"/>	<input type="checkbox"/>	<input type="checkbox"/>	<input type="checkbox"/>	<input type="checkbox"/>	<input type="checkbox"/>	<input type="checkbox"/>	<input type="checkbox"/>	<input type="checkbox"/>			
Code	00	01	02	04	05	07	09	10	13	14	21	22

OPTIONS AVAILABLE FOR THE NRH /Z 25 RV

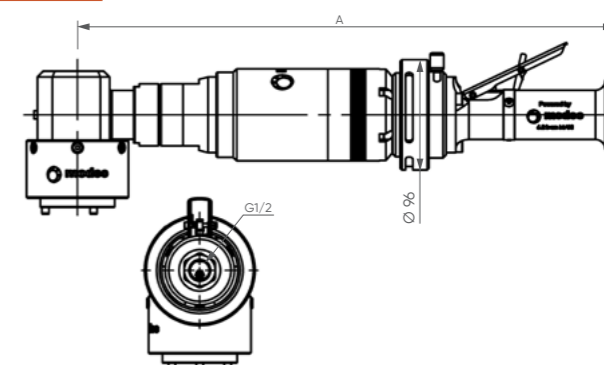
ATEX certification	<input type="checkbox"/>	<input type="checkbox"/>	<input type="checkbox"/>	<input type="checkbox"/>	<input type="checkbox"/>	
Left/Right switch	<input type="checkbox"/>	<input type="checkbox"/>	<input type="checkbox"/>	<input type="checkbox"/>	<input type="checkbox"/>	
Lubrication free	<input type="checkbox"/>	<input type="checkbox"/>	<input type="checkbox"/>	<input type="checkbox"/>	<input type="checkbox"/>	
Kit start	<input type="checkbox"/>	<input type="checkbox"/>	<input type="checkbox"/>	<input type="checkbox"/>	<input type="checkbox"/>	
Code	03	12	16	17	29	30

LAYOUT

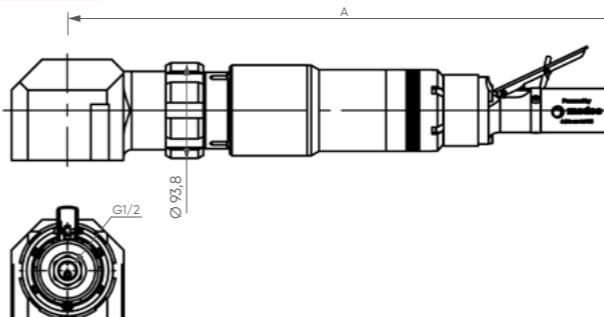
NRH 25 XT



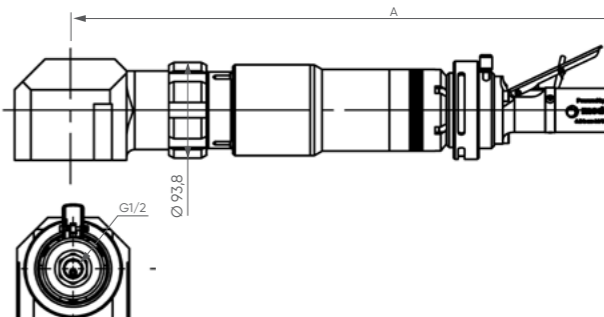
NRH 25 RV



NRZ 25 XT

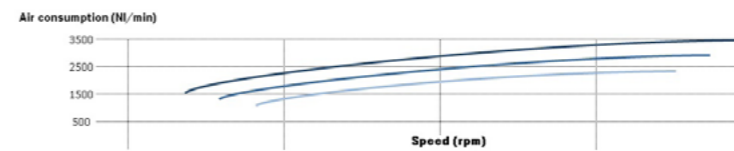
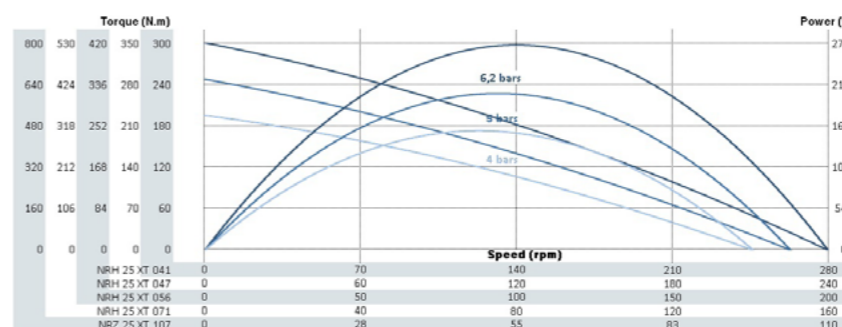


NRZ 25 RV

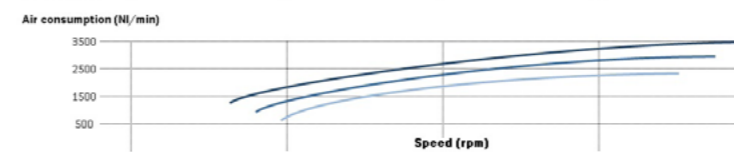
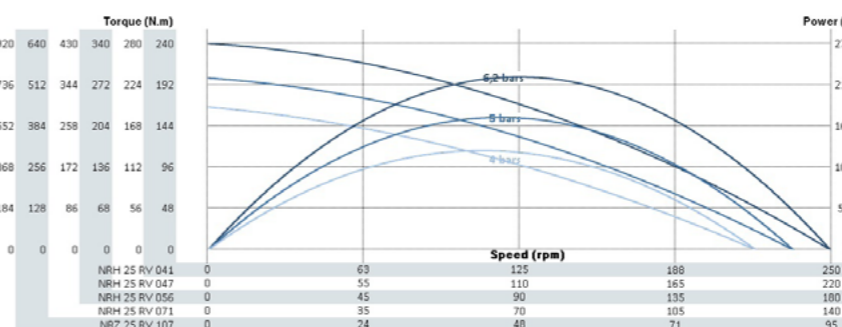


POWER, SPEED, TORQUE AND AIR CONSUMPTION GRAPHS

NRH/Z 25 XT

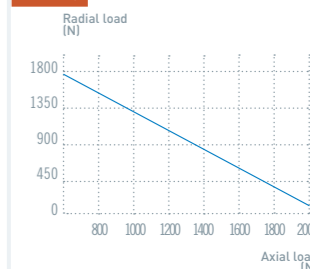


NRH/Z 25 RV



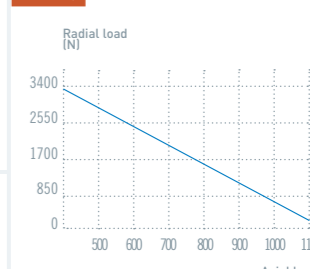
MAXIMUM RADIAL & AXIAL LOAD

NRH 25



for 100 millions revolutions (load applied @ half shaft length)

NRZ 25



for 100 millions revolutions (load applied @ half shaft length)

NOTES