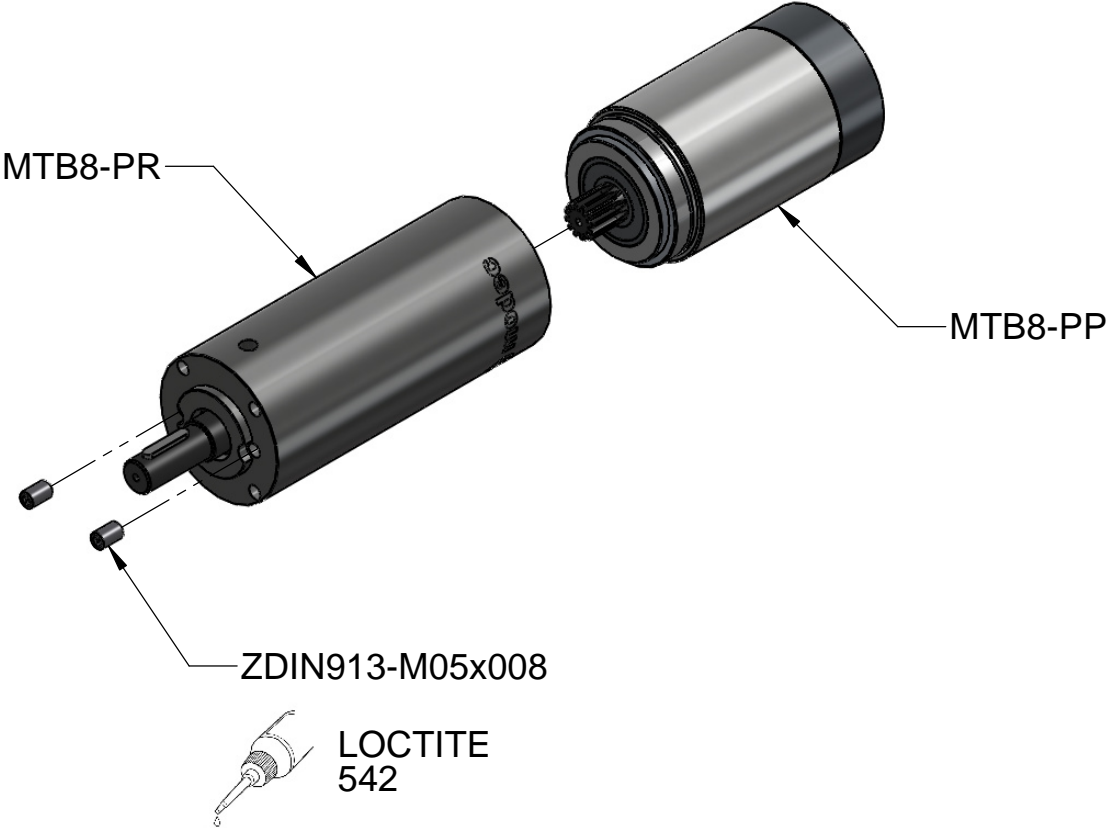


AC301 MAINTENANCE KIT FOR "B8" SERIES



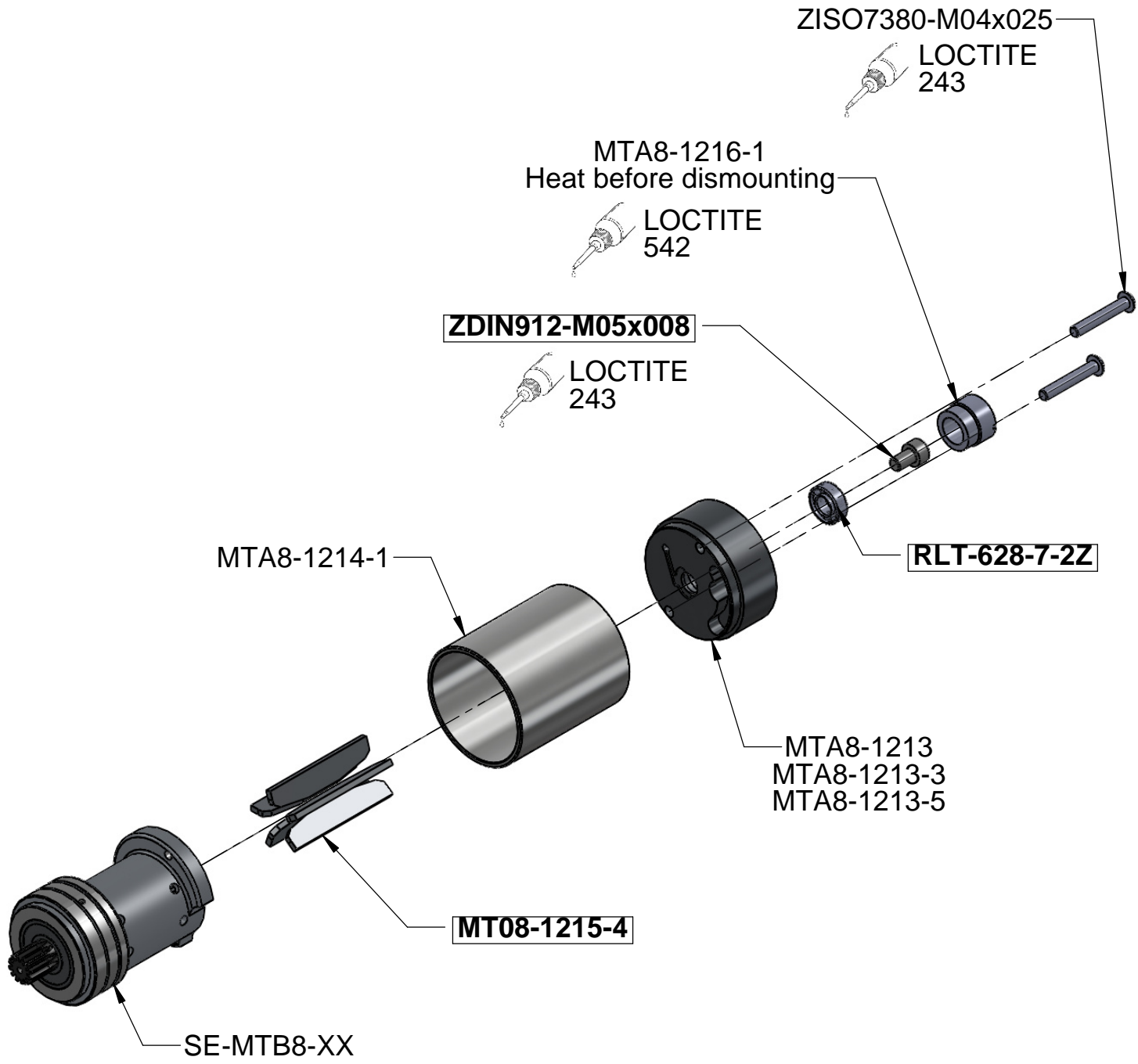
| DESIGNATION | QTY |
|------------------|----------|
| MT08-1215-4 | (2x5) 10 |
| RLT-628-7-2Z | (2x1) 2 |
| ZDIN912-M05-x008 | (2x1) 2 |

1



**Before unscrewing MTB8-PP
Unclamp the 2 ZDIN913-M05x008**

MTB8



MTB8