


AC308 MAINTENANCE KIT FOR "10 RV" SERIES



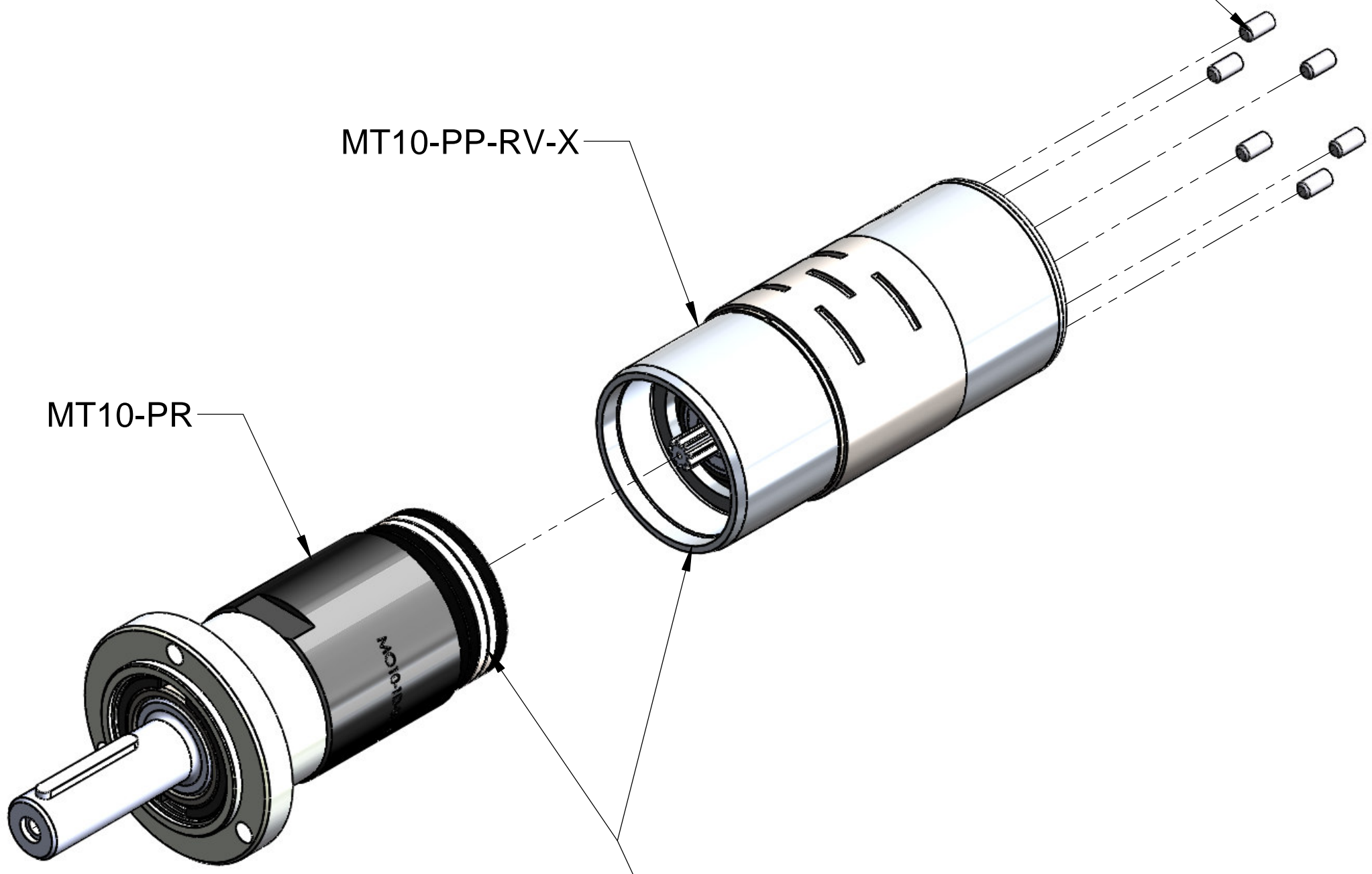
DESIGNATION	QTY
MT10RV-Co02	2x1=2
MO10-16	2x5=10
MO10-Co08	2x2=4
MO10-35	2x1=2
MO10-36	2x1=2
ADIN5417-55	2x1=2
MO10-Co14	2x1=2

1

 LOCTITE
542
ZDIN916-M05x010

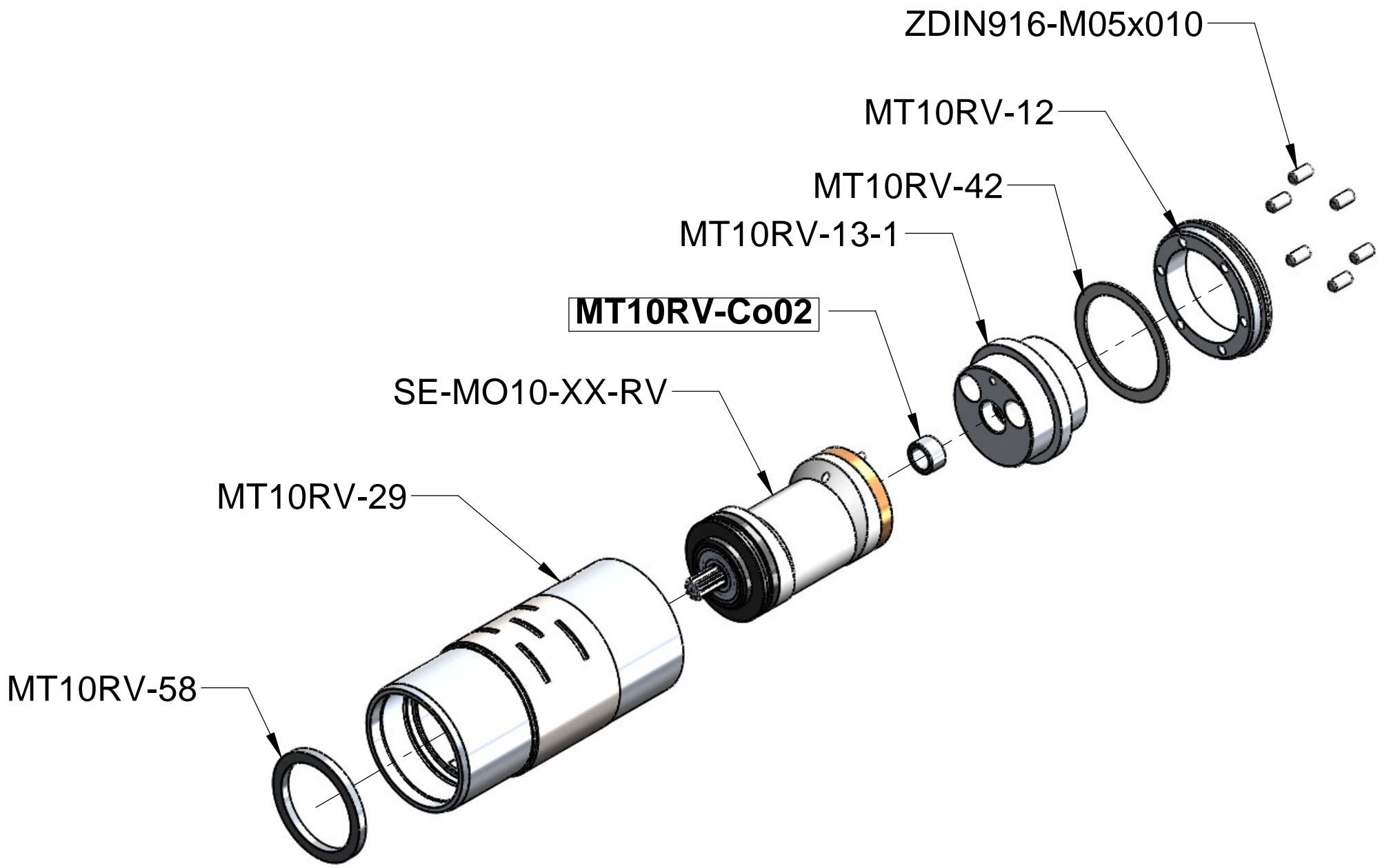
MT10-PP-RV-X

MT10-PR

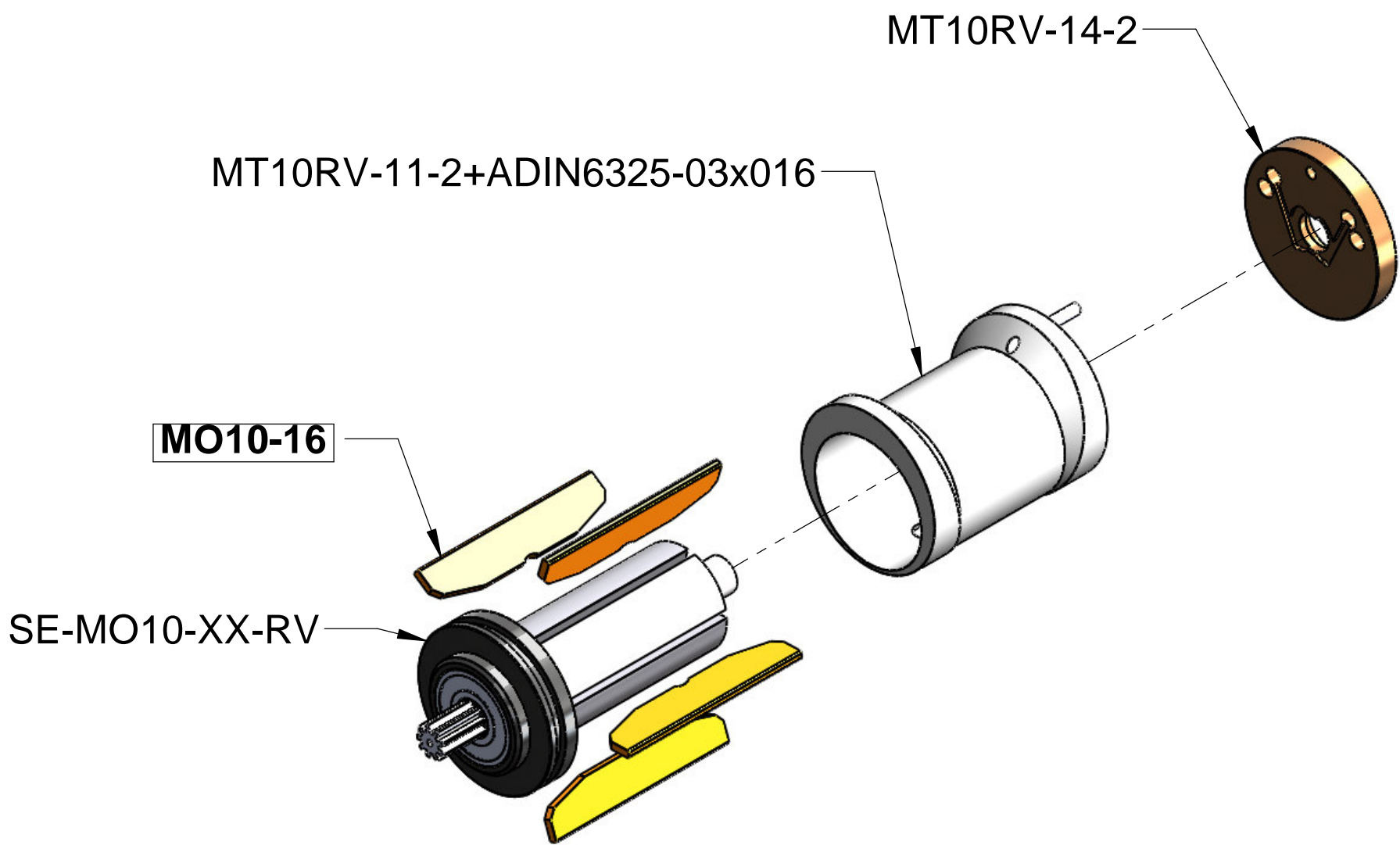


BEFORE UNSCREWING THE MT10-PR
IT'S NECESSARY TO UNCLAMP THE 6
ZDIN916-M05x010

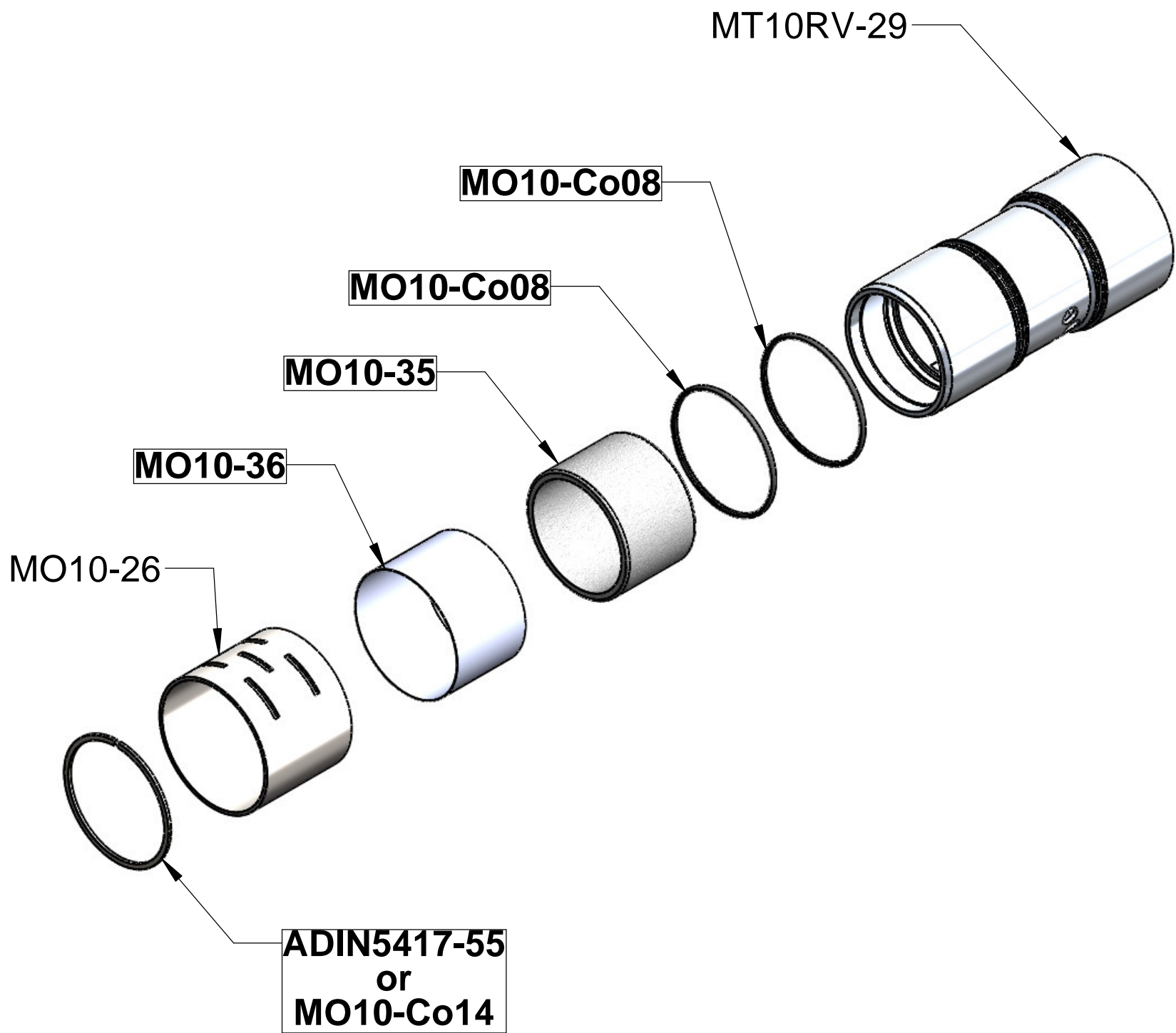
MT10 RV



MT10-PP-RV-X



SE-MO10-XX-RV



MO10-01-RV